

AR 315DV sileo Axial fan

Axial fan

Item Number: 34464

Variant: 400V 3~ 50Hz - D (Delta)

speed controllable by voltage reduction, plus option of 2-step operation by D/Y switching for 400V versions

inlet protection guard

safe and maintenance free operation

can be installed in any mounting position

electric connection via terminal box mounted on the casing

Axial fans of the AR sileo range do have a bionic shape of the fan blade, and are driven by external rotor motors. The AR range is mounted in a round casing according Eurovent 1/2, galvanized steel and powder coated in black

(RAL9005). The axial impeller is manufactured from black high efficiency

composite material. The impeller is balanced dynamically in two levels in accordance with DIN ISO 1940 part 1, quality G6.3.

The motors are equipped with thermal contacts for motor protection, with leads to be connected to a motor protection unit.



Technical parameters

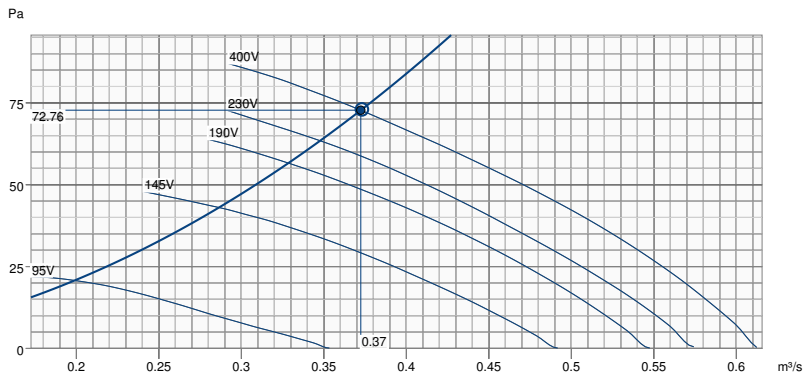
Norminal data		
Voltage (Nominal)	400	V
Frequency	50	Hz
Phase(s)	3~	
Motor circuit connection	D	
Input power	120	W
Input current	0.39	A
Impeller speed	1,450	r.p.m.
Air flow	max 0.6156	m ³ /s
Temperature of transported air	max 70	°C
Max temperature of transported air, when speed controlled	70	°C
Sound data		
Sound pressure level at 1m	62	dB(A)
Protection/Classification		
Enclosure class, motor	IP54	
Insulation class	F	
Dimensions and weights		
Duct dimension; Circular, inlet	315	mm
Duct dimension; Circular, outlet	315	mm
Weight	7.2	kg

Others

Duct connection type	Circular
Color name, casing	Black
Motor type	AC

Performance

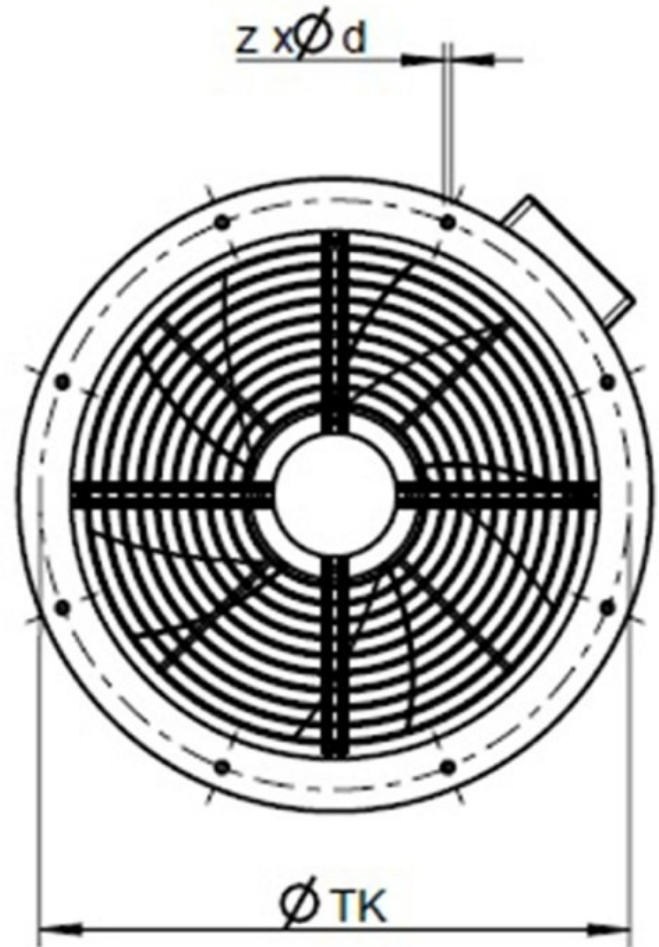
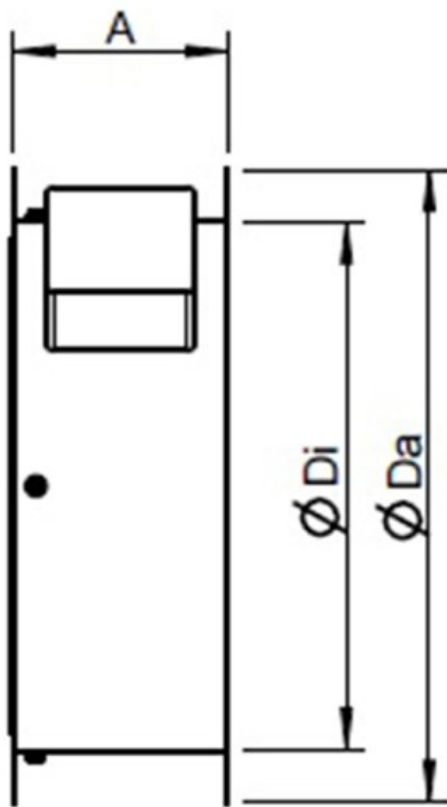
Performance curve



Hydraulic data

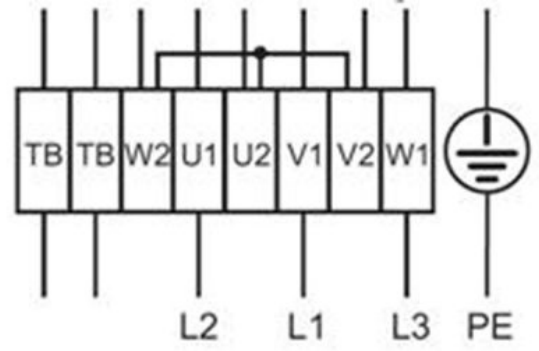
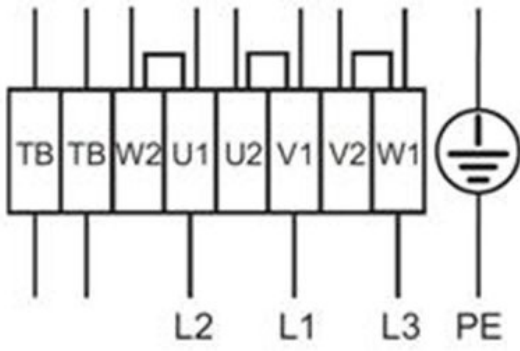
Required air flow	0.37 m³/s
Required static pressure	73 Pa
Working air flow	0.37 m³/s
Working static pressure	73 Pa
Air density	1.204 kg/m³
Power	120.3 W
Fan control - RPM	1451 rpm
Current	0.39 A
SFP	0.323 kW/m³/s
Control voltage	400.0 V
Supply voltage	400 V

Dimension



	A	B	C	ØDi	ØDa	z x Ød	ØTK
AR 315E4 sileo	135	12	120	316	382	8 x Ø9.5	355
AR 315DV sileo	135	17	137	316	382	8 x Ø9.5	355

Wiring



Accessories

- AWE-SK Motorprotection 2A/230V (5138)
- GFL-AR/AXC 315 counter flange (8376)
- REV-5POL/07 ON/OFF (33980)
- RTRDU 2 Speed contr. Systemair (5945)
- SG AXC/AM/AR 315 guard grill (310685)
- EV-AR/AXC 315 flex.conn. 70°C (8352)
- MFA-AXC/AM 315 mounting foot (311283)
- RTRD 2 Speed Cont. Systemair (5941)
- S-DT2SKT Two speed switch Y/D (2697)
- STDT 16 Motor Protection (5152)

Documents

- BAL-AXIAL-SILEO-SYSTEMAIR-08-2013.PDF
- EU_DECLARATION_OF_CONFORMITY_AXIAL_FANS_EN_004.PDF