

AR 350DV sileo Axial fan

Axial duct fan

Item Number: 37382

Variant: 400V 3~ 50Hz

speed controllable by voltage reduction, plus option of 2-step operation by D/Y switching for 400V versions

safe and maintenance free operation

can be installed in any mounting position

electric connection via terminal box mounted on the casing

Axial fans of the AR sileo range do have a bionic shape of the fan blade, and are driven by external rotor motors. The AR range is mounted in a round casing according Eurovent 1/2, galvanized steel and powder coated in black (RAL9005). The axial impeller is manufactured from black high efficiency composite material. The impeller is balanced dynamically in two levels in accordance with DIN ISO 1940 part 1, quality G6.3.

The motors are equipped with thermal contacts for motor protection, with leads to be connected to a motor protection unit.



Technical parameters

Nominal data		
Voltage (Nominal)	400	V
Frequency	50	Hz
Phase(s)	3~	
Motor circuit connection	D; Y	
Input power	170	W
Input current	0.4	A
Impeller speed	1,370	r.p.m.
Air flow	max 0.917	m ³ /s
Air flow at max. efficiency	0.625	m ³ /s
Specific ratio	1,000000	
Temperature of transported air	max 45	°C
Max temperature of transported air, when speed controlled	45	°C
Sound data		
Sound pressure level at 1m	64	dB(A)

Protection/Classification

Enclosure class, motor	IP44
Insulation class	B

Data according to ErP

ErP ready	ErP 2016
Measurement category	A
Efficiency grade	40 η_{actual}
Efficiency, static	28.6 η_{statA}
Target efficiency grade ErP2013	36 $\eta_{\text{target2013}}$
Target efficiency grade ErP2015	40 $\eta_{\text{target2015}}$

Dimensions and weights

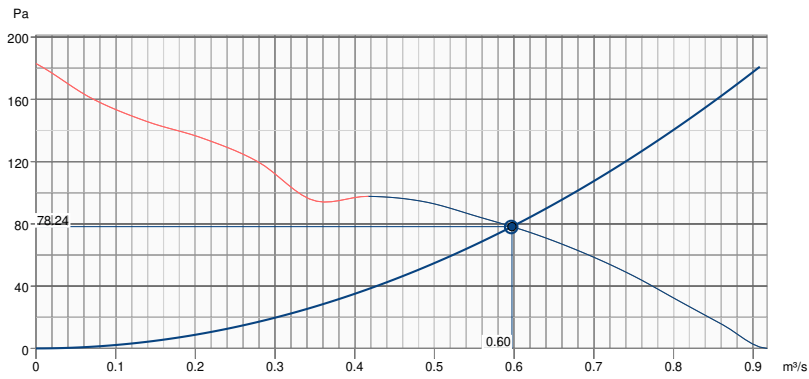
Duct dimension; Circular, inlet	350 mm
Duct dimension; Circular, outlet	350 mm
Weight	7.6 kg

Others

Duct connection type	Circular
Color name, casing	Black
Motor type	AC

Performance

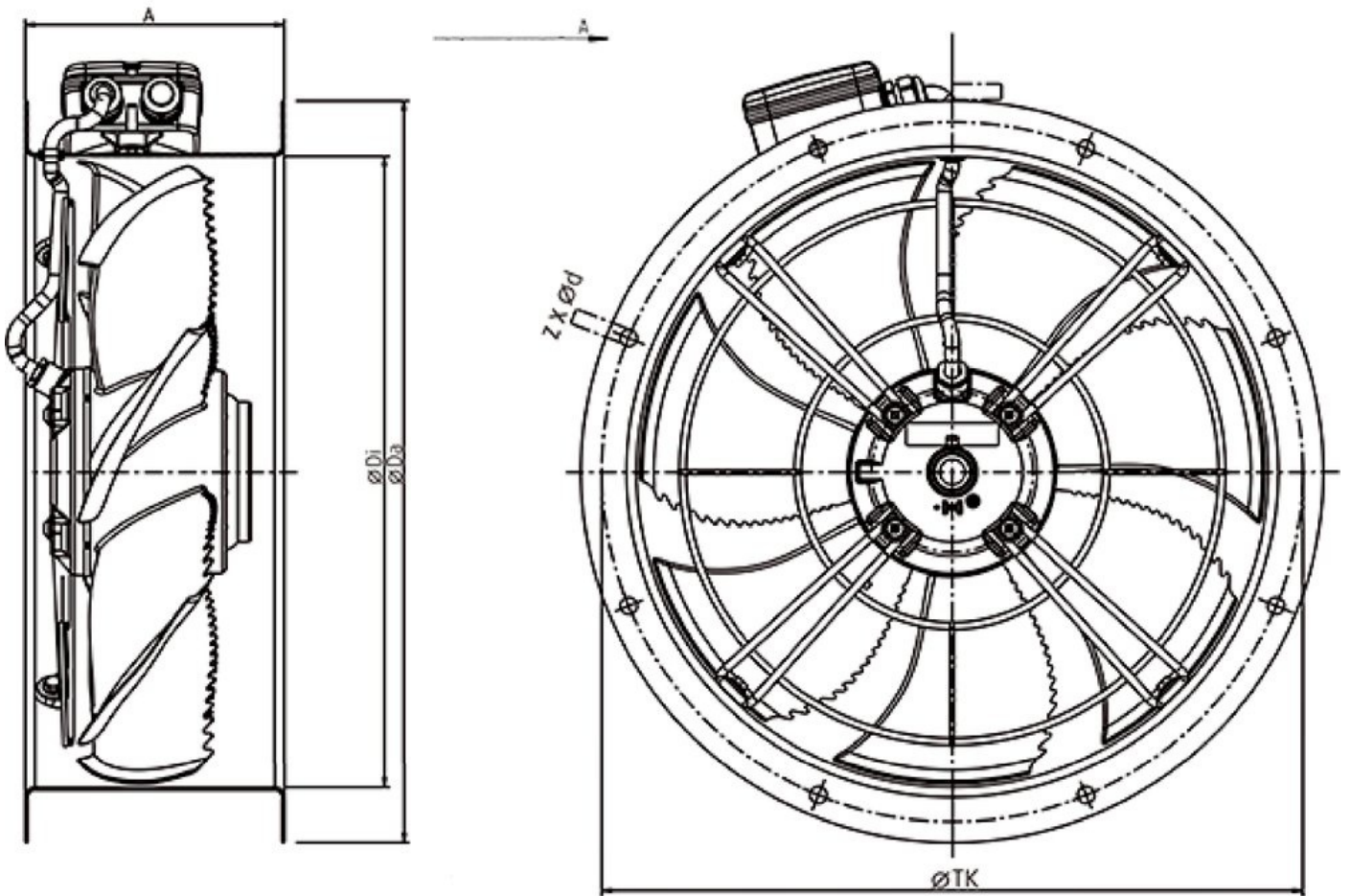
Performance curve



Hydraulic data	
Required air flow	0.60 m³/s
Required static pressure	78 Pa
Working air flow	0.60 m³/s
Working static pressure	78 Pa
Air density	1.204 kg/m³
Power	163.5 W
Fan control - RPM	1375 rpm
Current	0.36 A
SFP	0.274 kW/m³/s
Control voltage	400.0 V
Supply voltage	400 V

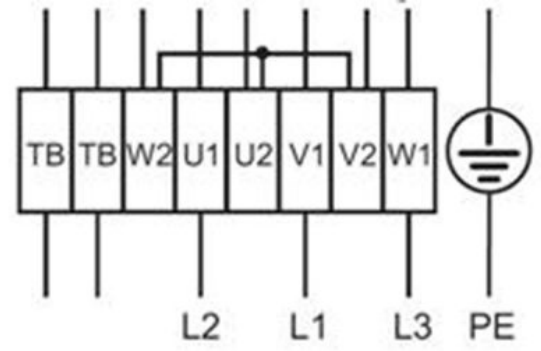
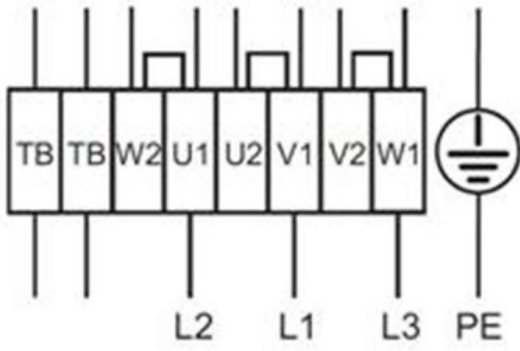
Sound power level		63	125	250	500	1k	2k	4k	8k	Total
Inlet	dB(A)	48	51	51	54	58	58	54	44	63
Outlet	dB(A)	57	60	62	65	70	68	65	57	74

Dimension



	A	ØDi	ØDa	ØTK	z x Ød
AR 350 sileo	135	359	421	395	8 x Ø10

Wiring



High speed

Low Speed

Δ-Connection

Y-Connection

Ecodesign

Ecodesign 327	
Manufacturer	Systemair GmbH, Seehöfer Str. 45, DE-97944 Boxberg, Amtsgericht (court of registration) Mannheim, HRB 560437
Type	AR 350DV
Year of manufacture	See name plate of the fan
Air flow qv	0.625 m ³ /s
Efficiency category	static
Efficiency grade N	40
Efficiency grade target N	40
Speed (rpm) n	1,375 r.p.m.
Pressure increase total psf	74 Pa
Power consumption Ped	160 W
Overall efficiency	28.6 %
Overall efficiency target	28.6 %
Variable speed drive	No
Additional components	Components used to calculate the energy efficiency that are not apparent from the measurement category are detailed in the CE declaration.
Maintenance	Information on installation, operation and maintenance is provided in the operating instructions.
Recycling / disposal	Information on recycling and disposal is provided in the operating instructions.

Accessories

- AWE-SK Motorprotection 2A/230V (5138)
- GFL-AR/AXC 355 counter flange (8377)
- RTRD 2 Speed Contr. Systemair (5941)
- S-DT 16E Motor Protection (161207)
- EV-AR/AXC 355 flex.conn. 70°C (8353)
- MFA-AXC/AM 355 mounting foot (311284)
- RTRDU 2 Speed contr. Systemair (5945)
- S-DT2SKT Two speed switch Y/D (2697)

Documents

- IMO - 37382 - AR 350DV SILEO.PDF
- MANUAL_AW_AR_EBM_EN_003-MIN.PDF
- UKCA-declaration of conformity_AXC_001
- installation variations_2_AR_AW.pdf