

AR 350E4 sileo Axial fan+

Axial duct fan

Item Number: 34465

Variant: 230V 1~ 50Hz

speed controllable by voltage reduction

inlet protection guard

safe and maintenance free operation

can be installed in any mounting position

electric connection via terminal box mounted on the casing

supplied with capacitor

Axial fans of the AR sileo range do have a bionic shape of the fan blade, and are driven by external rotor motors. The AR range is mounted in a round casing according Eurovent 1/2, galvanized steel and powder coated in black

(RAL9005). The protection guard at the inlet side is powder coated in black. The

axial impeller is manufactured from black high efficiency composite material. The impeller is balanced dynamically in two levels in accordance with DIN ISO 1940 part 1, quality G6.3.

The motors are equipped with thermal contacts for motor protection, with leads to be connected to a motor protection unit, for example Systemair unit S-ET.



Technical parameters

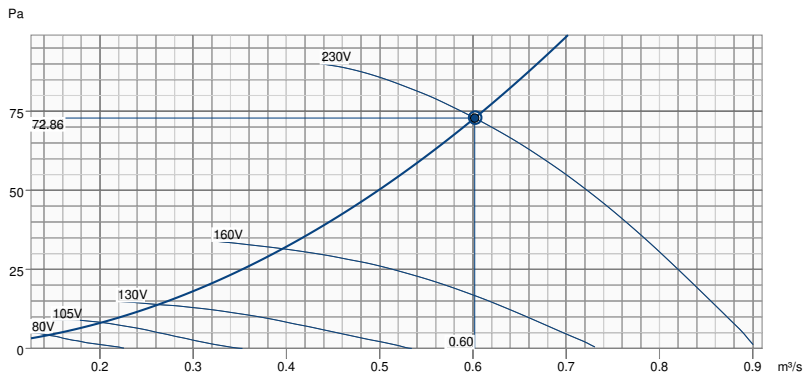
Nominal data		
Voltage (Nominal)	230	V
Frequency	50	Hz
Phase(s)	1~	
Input power	170	W
Input current	0.75	A
Impeller speed	1,260	r.p.m.
Air flow	max 0.91	m ³ /s
Capacitance of capacitor	5	µF
Temperature of transported air	max 60	°C
Max temperature of transported air, when speed controlled	60	°C
Sound data		
Sound pressure level at 1m	62	dB(A)
Protection/Classification		
Enclosure class, motor	IP44	
Insulation class	F	
Dimensions and weights		
Duct dimension; Circular, inlet	355	mm
Duct dimension; Circular, outlet	355	mm
Weight	6.5	kg

Others

Duct connection type	Circular
Color name, casing	Black
Motor type	AC

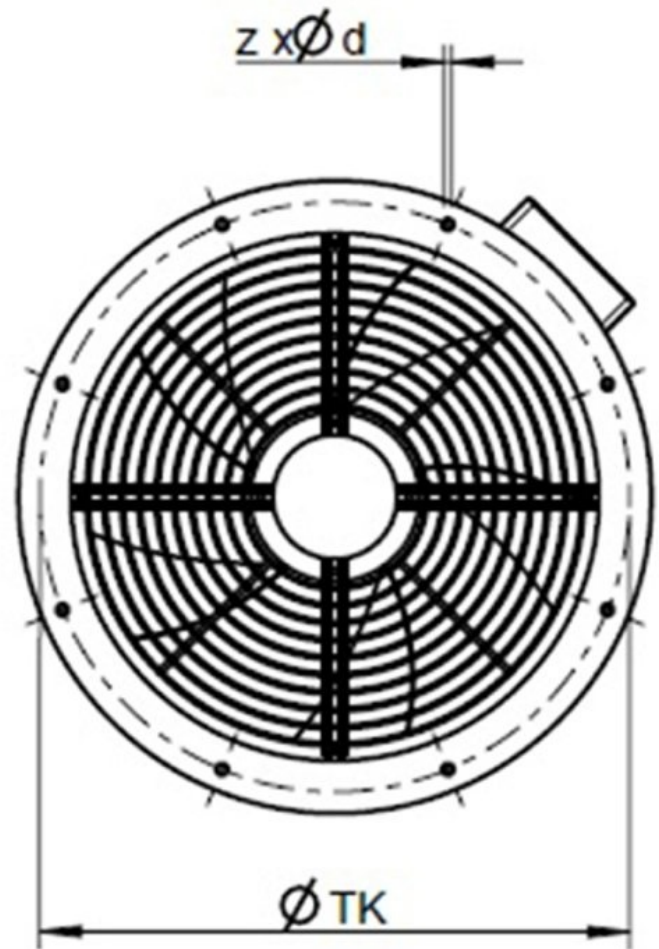
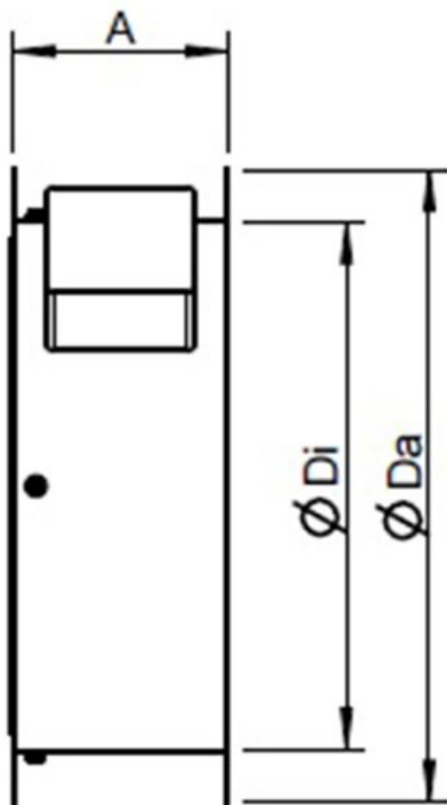
Performance

Performance curve



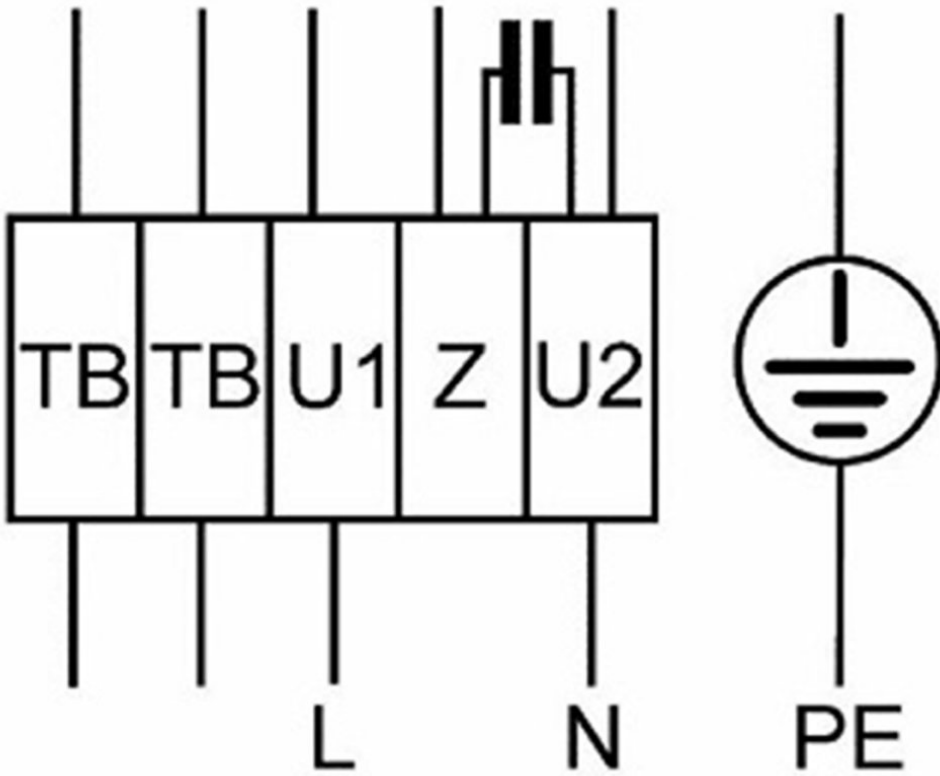
Hydraulic data	
Required air flow	0.60 m³/s
Required static pressure	73 Pa
Working air flow	0.60 m³/s
Working static pressure	73 Pa
Air density	1.204 kg/m³
Power	166.3 W
Fan control - RPM	1294 rpm
Current	0.73 A
SFP	0.276 kW/m³/s
Control voltage	230.0 V
Supply voltage	230 V

Dimension



	A	B	C	ØDi	ØDa	z x Ød	ØTK
AR 350E4 sileo	135	7	125	359	421	8 x Ø10	395
AR 350DV sileo	135	18	136	356	421	8 x Ø10	395

Wiring



Accessories

- AWE-SK Motorprotection 2A/230V (5138)
- GFL-AR/AXC 355 counter flange (8377)
- REE 1 Speed control (5314)
- RTRE 1,5 Speed control (5008)
- SG AXC/AM/AR 355 guard grill (310686)
- EV-AR/AXC 355 flex.conn. 70°C (8353)
- MFA-AXC/AM 355 mounting foot (311284)
- REU 1.5 Speed control (5004)
- S-ET 10 Motor Protection (5154)

Documents

- BAL-AXIAL-SILEO-SYSTEMAIR-08-2013.PDF
- UKCA-declaration of conformity_AXC_001