

AR 400DV-L sileo Axial fan

Axial fan

Item Number: 34469

Variant: 400V 3~ 50Hz - D (Delta)

speed controllable by voltage reduction, plus option of 2-step operation by D/Y switching for 400V versions

inlet protection guard

safe and maintenance free operation

can be installed in any mounting position

electric connection via terminal box mounted on the casing

Axial fans of the AR sileo range do have a bionic shape of the fan blade, and are

driven by external rotor motors. The AR range is mounted in a round casing

according Eurovent 1/2, galvanized steel and powder coated in black

(RAL9005). The axial impeller is manufactured from black high efficiency

composite material. The impeller is balanced dynamically in two levels in accordance with DIN ISO 1940 part 1, quality G6.3.

The motors are equipped with thermal contacts for motor protection, with leads to be connected to a motor protection unit.



Technical parameters

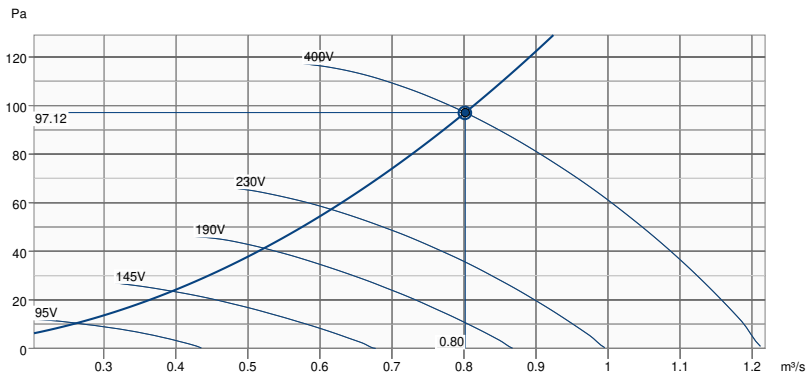
Nominal data		
Voltage (Nominal)	400	V
Frequency	50	Hz
Phase(s)	3~	
Motor circuit connection	D	
Input power	260	W
Input current	0.5	A
Impeller speed	1,340	r.p.m.
Air flow	max 1.218	m ³ /s
Temperature of transported air	max 70	°C
Max temperature of transported air, when speed controlled	70	°C
Sound data		
Sound pressure level at 1m	67	dB(A)
Protection/Classification		
Enclosure class, motor	IP54	
Insulation class	F	
Data according to ErP		
ErP ready	ErP 2018	
Dimensions and weights		
Duct dimension; Circular, inlet	400	mm
Duct dimension; Circular, outlet	400	mm
Weight	10.1	kg

Others

Duct connection type	Circular
Color name, casing	Black
Motor type	AC

Performance

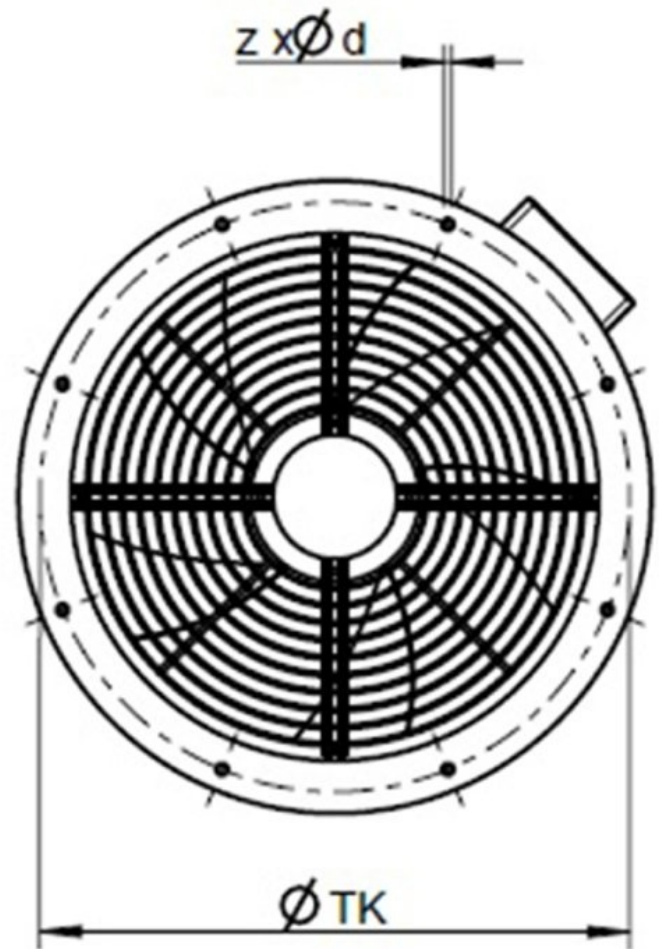
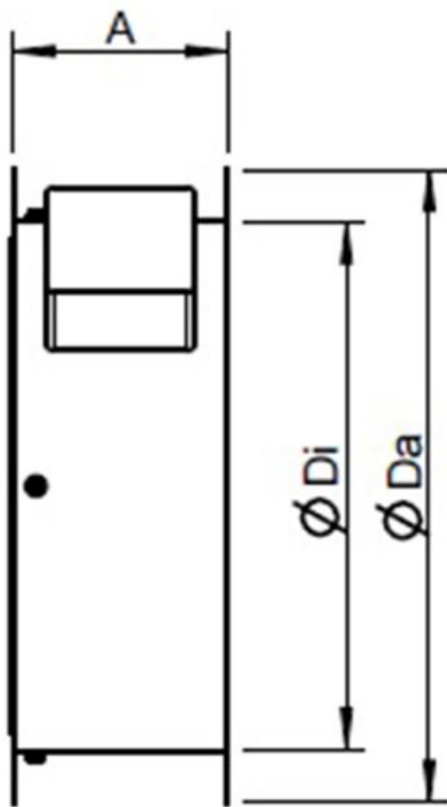
Performance curve



Hydraulic data

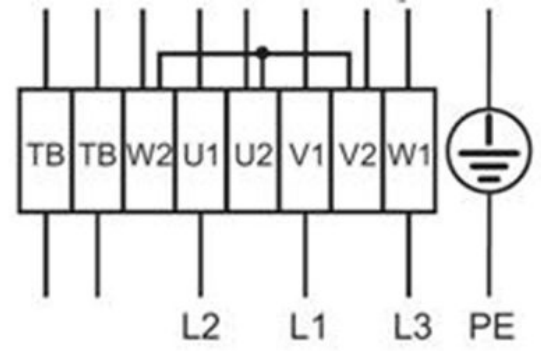
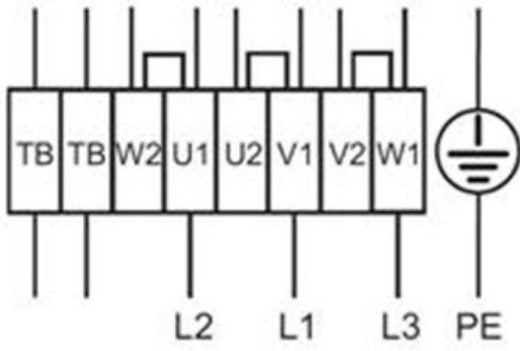
Required air flow	0.80 m³/s
Required static pressure	97 Pa
Working air flow	0.80 m³/s
Working static pressure	97 Pa
Air density	1.204 kg/m³
Power	250.4 W
Fan control - RPM	1351 rpm
Current	0.48 A
SFP	0.312 kW/m³/s
Control voltage	400.0 V
Supply voltage	400 V

Dimension



	A	B	C	ØDi	ØDa	z x Ød	ØTK
AR 400E4 sileo	155	16	138	400	480	8 x Ø12	450
AR 400DV sileo	155	16	138	400	480	8 x Ø12	450

Wiring



High speed

Low Speed

Δ -Connection

Y-Connection

Accessories

- AWE-SK Motorprotection 2A/230V (5138)
- GFL-AR/AXC 400 counter flange (8378)
- RTRD 2 Speed Cont. Systemair (5941)
- S-DT 16E Motor Protection (161207)
- SG AXC/AM/AR 400 guard grill (310687)
- EV-AR/AXC 400 flex.conn. 70°C (8354)
- MFA-AXC/AM 400 mounting foot (311285)
- RTRDU 2 Speed contr. Systemair (5945)
- S-DT2SKT Two speed switch Y/D (2697)

Documents

- BAL-AXIAL-SILEO-SYSTEMAIR-08-2013.PDF
- UKCA-declaration of conformity_AXC_001
- installation variations_1_AR_AW.pdf