

AR 400E4-L sileo Axial fan

Axial fan

Item Number: 34467

Variant: 230V 1~ 50Hz

speed controllable by voltage reduction
 inlet protection guard
 safe and maintenance free operation
 can be installed in any mounting position
 electric connection via terminal box mounted on the casing
 supplied with capacitor

Axial fans of the AR sileo range do have a bionic shape of the fan blade, and are driven by external rotor motors. The AR range is mounted in a round casing according Eurovent 1/2, galvanized steel and powder coated in black (RAL9005). The axial impeller is manufactured from black high efficiency composite material. The impeller is balanced dynamically in two levels in accordance with DIN ISO 1940 part 1, quality G6.3.

The motors are equipped with thermal contacts for motor protection, with leads to be connected to a motor protection unit, for example Systemair unit S-ET.



Technical parameters

Nominal data		
Voltage (Nominal)	230	V
Frequency	50	Hz
Phase(s)	1~	
Motor circuit connection	D	
Input power	260	W
Input current	1.15	A
Impeller speed	1,320	r.p.m.
Air flow	max 1.226	m ³ /s
Capacitance of capacitor	5	µF
Temperature of transported air	max 55	°C
Max temperature of transported air, when speed controlled	55	°C
Sound data		
Sound pressure level at 1m	66	dB(A)
Protection/Classification		
Enclosure class, motor	IP54	
Insulation class	F	
Data according to ErP		
ErP ready	ErP 2018	

Dimensions and weights

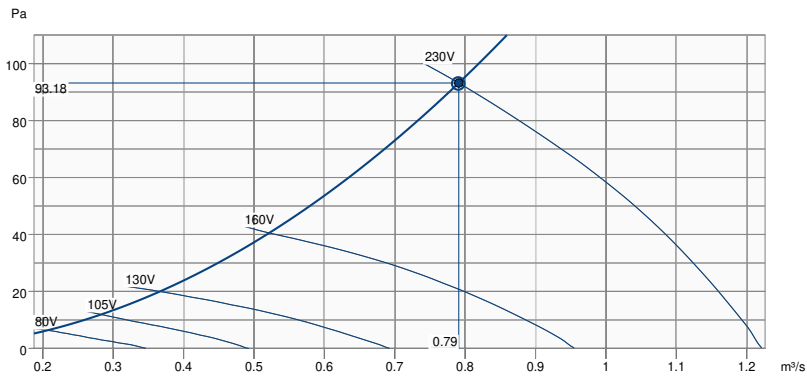
Duct dimension; Circular, inlet	400	mm
Duct dimension; Circular, outlet	400	mm
Weight	10.1	kg

Others

Duct connection type	Circular
Color name, casing	Black
Motor type	AC

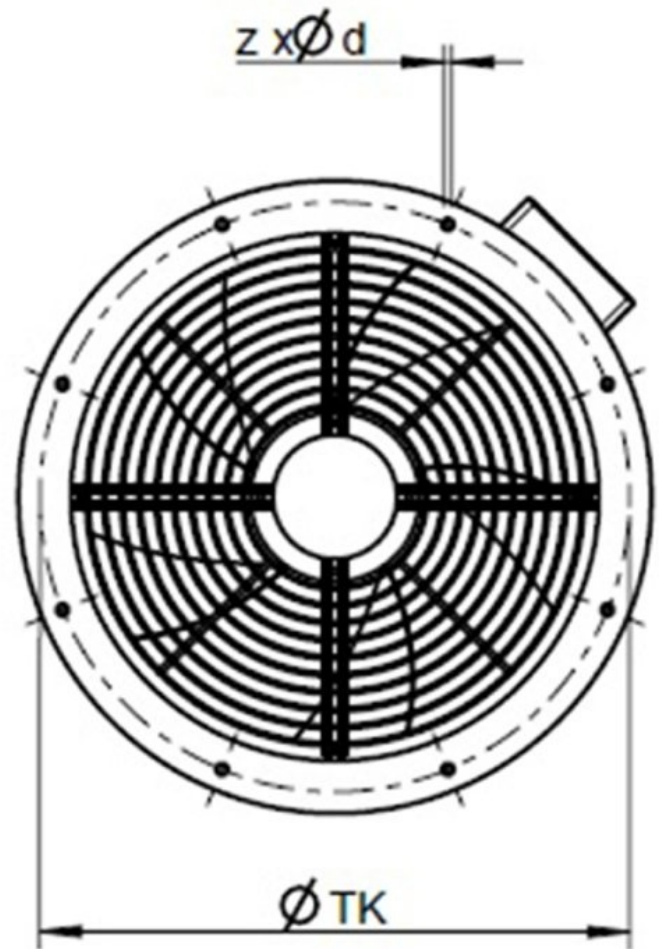
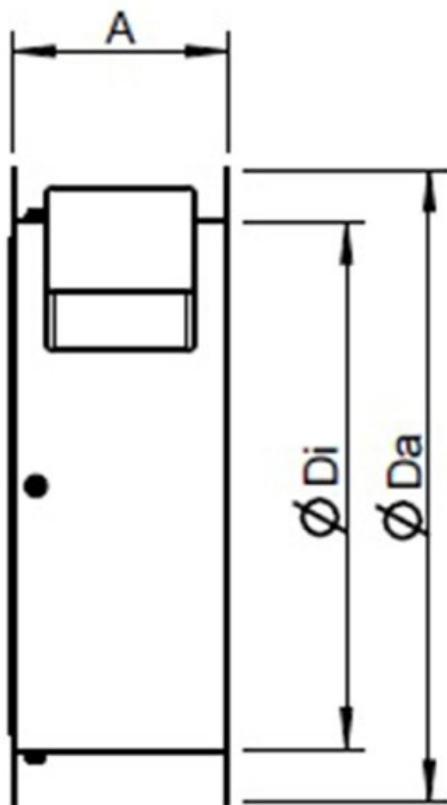
Performance

Performance curve



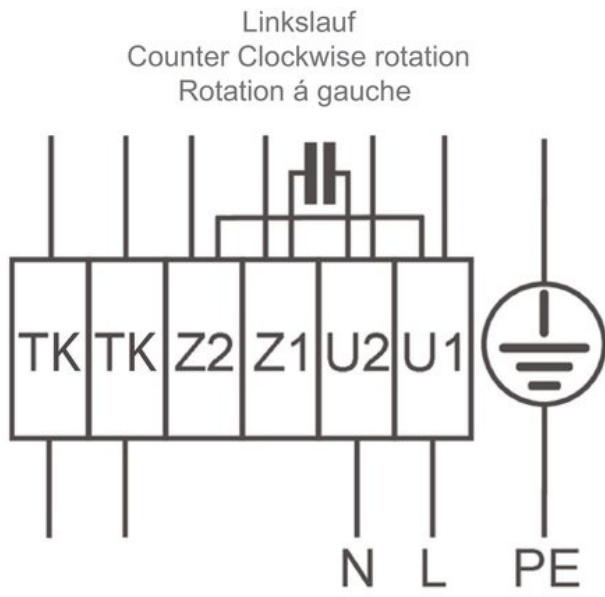
Hydraulic data	
Required air flow	0.79 m³/s
Required static pressure	93 Pa
Working air flow	0.79 m³/s
Working static pressure	93 Pa
Air density	1.204 kg/m³
Power	257.1 W
Fan control - RPM	1322 rpm
Current	1.13 A
SFP	0.325 kW/m³/s
Control voltage	230.0 V
Supply voltage	230 V

Dimension



	A	B	C	ØDi	ØDa	z x Ød	ØTK
AR 400E4 sileo	155	16	138	400	480	8 x Ø12	450
AR 400DV sileo	155	16	138	400	480	8 x Ø12	450

Wiring



Accessories

- AWE-SK Motorprotection 2A/230V (5138)
- GFL-AR/AXC 400 counter flange (8378)
- REE 2 Speed control (5316)
- RTRE 1,5 Speed control (5008)
- SG AXC/AM/AR 400 guard grill (310687)
- EV-AR/AXC 400 flex.conn. 70°C (8354)
- MFA-AXC/AM 400 mounting foot (311285)
- REU 1.5 Speed control (5004)
- S-ET 10 Motor Protection (5154)

Documents

- BAL-AXIAL-SILEO-SYSTEMAIR-08-2013.PDF
- UKCA-declaration of conformity_AXC_001
- installation variations_1_AR_AW.pdf