

## AR 560DV sileo Axial fan

Axial duct fan

Item Number: 37390

Variant: 400V 3~ 50Hz - D (Delta)

speed controllable by voltage reduction, plus option of 2-step operation by D/Y switching for 400V versions

safe and maintenance free operation

can be installed in any mounting position

electric connection via terminal box mounted on the casing

Axial fans of the AR sileo range do have a bionic shape of the fan blade, and are driven by external rotor motors. The AR range is mounted in a round casing according Eurovent 1/2, galvanized steel and powder coated in black (RAL9005). The axial impeller is manufactured from black high efficiency composite material. The impeller is balanced dynamically in two levels in accordance with DIN ISO 1940 part 1, quality G6.3.

The motors are equipped with thermal contacts for motor protection, with leads to be connected to a motor protection unit.



### Technical parameters

Nominal data	
Voltage (Nominal)	400 V
Frequency	50 Hz
Phase(s)	3~
Motor circuit connection	D
Input power	1,050 W
Input current	2.2 A
Impeller speed	1,280 r.p.m.
Air flow	max 3.151 m <sup>3</sup> /s
Air flow at max. efficiency	2.062 m <sup>3</sup> /s
Specific ratio	1,000000
Temperature of transported air	max 70 °C
Max temperature of transported air, when speed controlled	70 °C
Sound data	
Sound pressure level at 1m	74 dB(A)

**Protection/Classification**

Enclosure class, motor	IP54
Insulation class	F

**Data according to ErP**

ErP ready	ErP 2018
Measurement category	A
Efficiency grade	40.1 $\eta_{\text{actual}}$
Efficiency, static	33.7 $\eta_{\text{statA}}$
Target efficiency grade ErP2013	36 $\eta_{\text{target2013}}$
Target efficiency grade ErP2015	40 $\eta_{\text{target2015}}$

**Dimensions and weights**

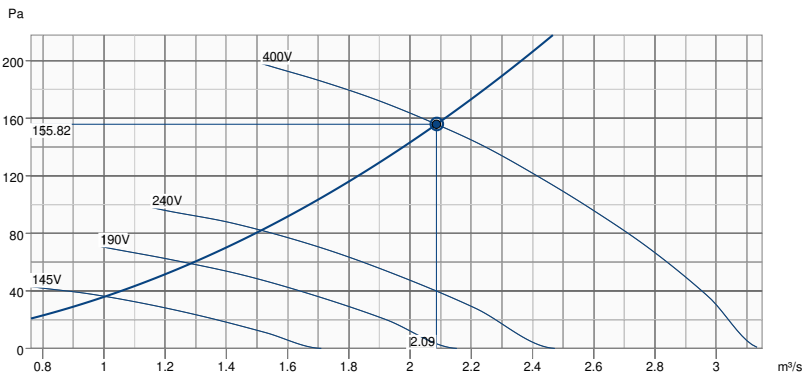
Duct dimension; Circular, inlet	560 mm
Duct dimension; Circular, outlet	560 mm
Weight	23.2 kg

**Others**

Duct connection type	Circular
Color name, casing	Black
Motor type	AC

# Performance

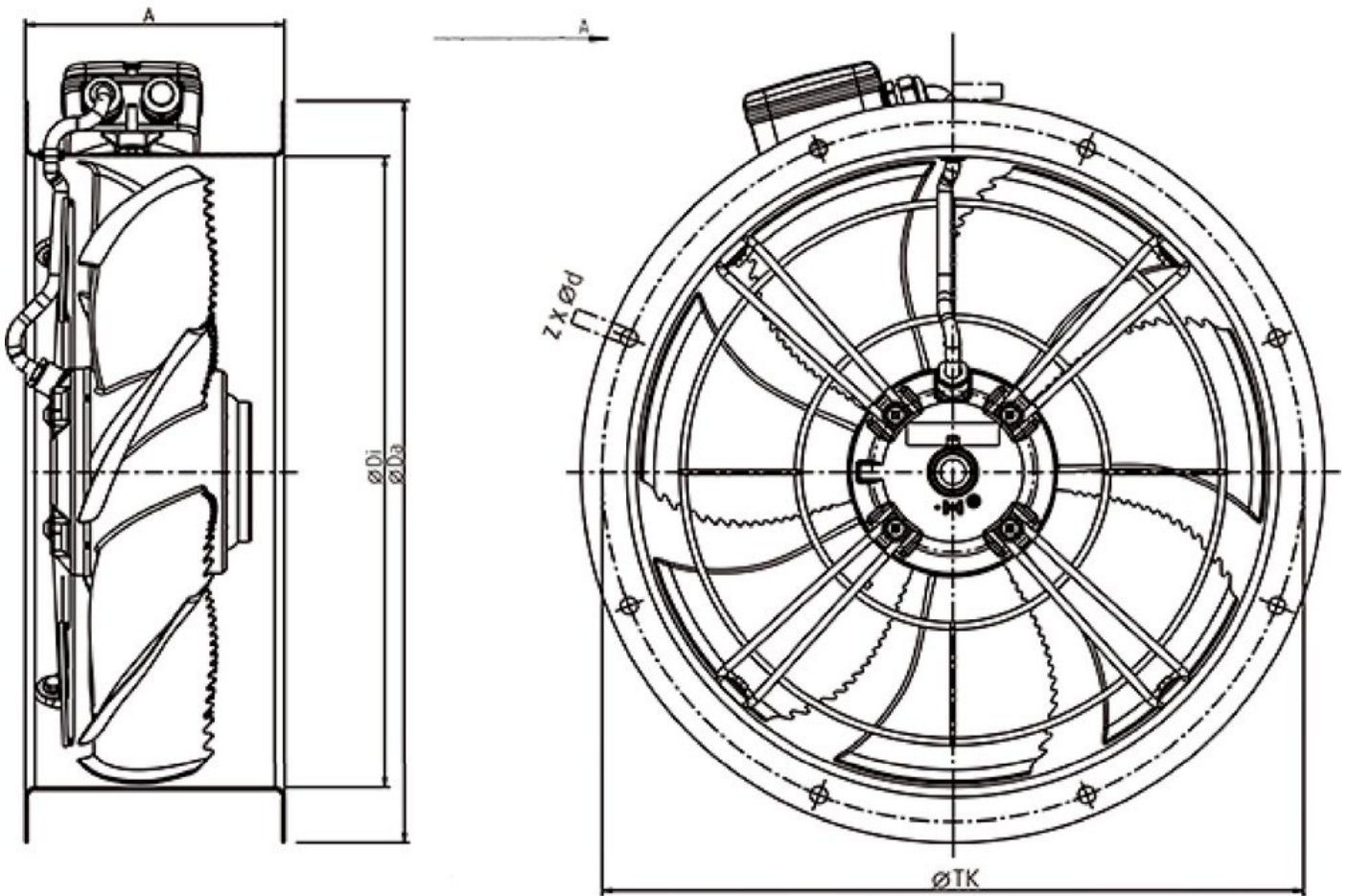
## Performance curve



Hydraulic data	
Required air flow	2.09 m³/s
Required static pressure	156 Pa
Working air flow	2.09 m³/s
Working static pressure	156 Pa
Air density	1.204 kg/m³
Power	988.7 W
Fan control - RPM	1301 rpm
Current	2.10 A
SFP	0.474 kW/m³/s
Control voltage	400.0 V
Supply voltage	400 V

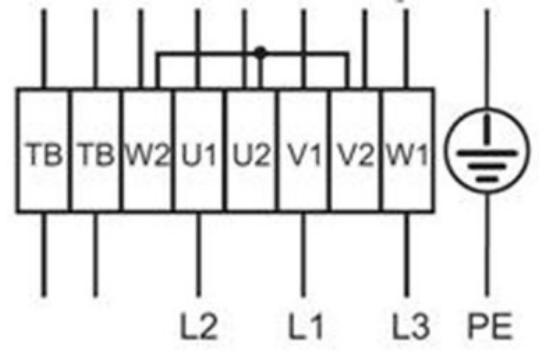
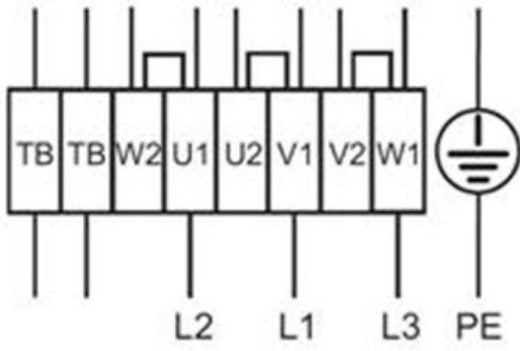
Sound power level		63	125	250	500	1k	2k	4k	8k	Total
Inlet	dB(A)	25	46	57	67	75	75	71	60	79
Outlet	dB(A)	24	45	58	69	75	75	71	60	79

## Dimension



	A	$\varnothing Di$	$\varnothing Da$	$\varnothing TK$	$z \times \varnothing d$
AR 560 sileo	235	559	650	620	12 x $\varnothing 11,5$

## Wiring



High speed

Low Speed

$\Delta$ -Connection

Y-Connection

## Ecodesign

Ecodesign 327	
Manufacturer	Systemair GmbH, Seehöfer Str. 45, DE-97944 Boxberg, Amtsgericht (court of registration) Mannheim, HRB 560437
Type	AR 560DV
Year of manufacture	See name plate of the fan
Air flow qv	2.0622 m <sup>3</sup> /s
Efficiency category	static
Efficiency grade N	40.1
Efficiency grade target N	40
Speed (rpm) n	1,300 r.p.m.
Pressure increase total psf	158 Pa
Power consumption Ped	990 W
Overall efficiency	33.7 %
Variable speed drive	No
Additional components	Components used to calculate the energy efficiency that are not apparent from the measurement category are detailed in the CE declaration.
Maintenance	Information on installation, operation and maintenance is provided in the operating instructions.
Recycling / disposal	Information on recycling and disposal is provided in the operating instructions.

## Accessories

- EV-AR/AXC 560 flex.conn. 70°C (8357)
- MFA-AXC/AM 560 mounting foot (311288)
- RTRD 4 Speed cont. Systemair (5942)
- S-DT 16E Motor Protection (161207)
- SG AXC/AM/AR 560 guard grill (310690)
- GFL-AR/AXC 560 counter flange (8381)
- RTRD 3 Speed control IP54 (32594)
- RTRDU 4 Speed contr. Systemair (5946)
- S-DT2SKT Two speed switch Y/D (2697)

## Documents

- L-BAL-001-SYSTEMAIR.PDF
- UKCA-declaration of conformity\_AXC\_001
- installation variations\_1\_AR\_AW.pdf