

## AR 630DS sileo Axial fan

Axial duct fan

Item Number: 37393

Variant: 400V 3~ 50Hz - D (Delta)

speed controllable by voltage reduction, plus option of 2-step operation by D/Y switching for 400V versions

safe and maintenance free operation

can be installed in any mounting position

electric connection via terminal box mounted on the casing

Axial fans of the AR sileo range do have a bionic shape of the fan blade, and are driven by external rotor motors. The AR range is mounted in a round casing according Eurovent 1/2, galvanized steel and powder coated in black (RAL9005). The axial impeller is manufactured from black high efficiency composite material. The impeller is balanced dynamically in two levels in accordance with DIN ISO 1940 part 1, quality G6.3.

The motors are equipped with thermal contacts for motor protection, with leads to be connected to a motor protection unit.



### Technical parameters

Nominal data		
Voltage (Nominal)	400	V
Frequency	50	Hz
Phase(s)	3~	
Motor circuit connection	D	
Input power	620	W
Input current	1.25	A
Impeller speed	900	r.p.m.
Air flow	max 3.115	m <sup>3</sup> /s
Air flow at max. efficiency	1.99	m <sup>3</sup> /s
Specific ratio	1,000000	
Temperature of transported air	max 70	°C
Max temperature of transported air, when speed controlled	70	°C
Sound data		
Sound pressure level at 1m	64	dB(A)

**Protection/Classification**

Enclosure class, motor	IP54
Insulation class	F

**Data according to ErP**

ErP ready	ErP 2018
Measurement category	A
Efficiency grade	41.6 $\eta_{\text{actual}}$
Efficiency, static	33.8 $\eta_{\text{statA}}$
Target efficiency grade ErP2013	36 $\eta_{\text{target2013}}$
Target efficiency grade ErP2015	40 $\eta_{\text{target2015}}$

**Dimensions and weights**

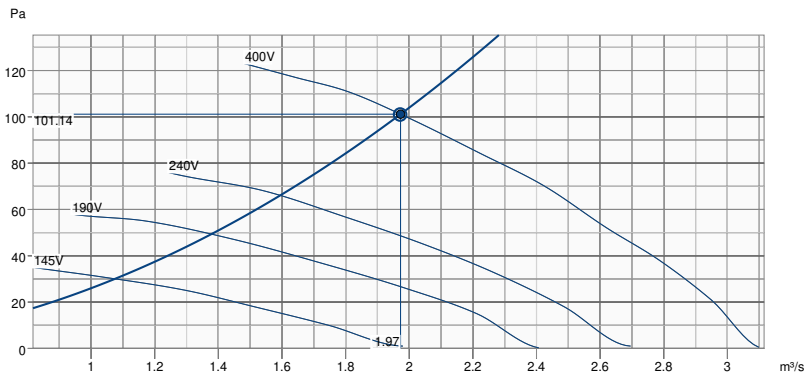
Duct dimension; Circular, inlet	630 mm
Duct dimension; Circular, outlet	630 mm
Weight	24.5 kg

**Others**

Duct connection type	Circular
Color name, casing	Black
Motor type	AC

# Performance

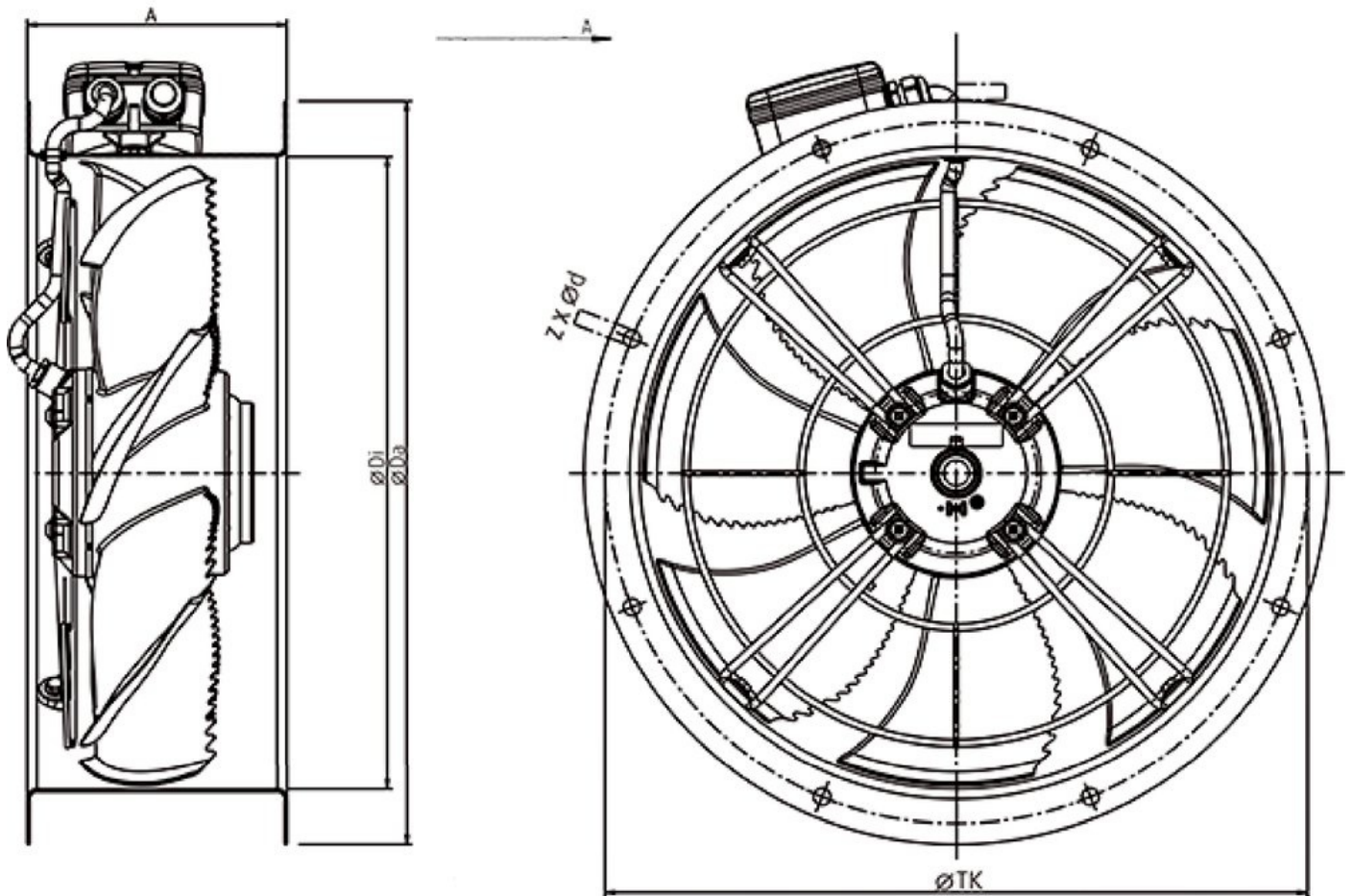
## Performance curve



Hydraulic data	
Required air flow	1.97 m³/s
Required static pressure	101 Pa
Working air flow	1.97 m³/s
Working static pressure	101 Pa
Air density	1.204 kg/m³
Power	604.5 W
Fan control - RPM	908 rpm
Current	1.23 A
SFP	0.306 kW/m³/s
Control voltage	400.0 V
Supply voltage	400 V

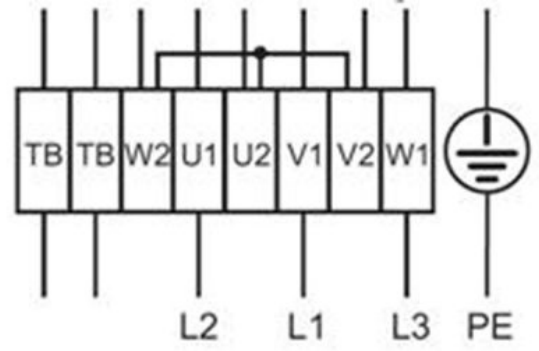
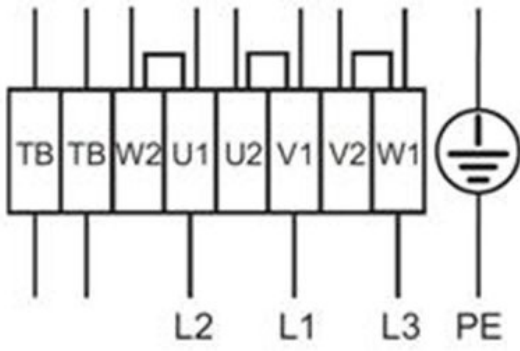
Sound power level		63	125	250	500	1k	2k	4k	8k	Total
Inlet	dB(A)	48	56	57	62	67	66	61	52	71
Outlet	dB(A)	48	55	57	63	67	65	60	52	71

## Dimension



	A	ØDi	ØDa	ØTK	z x Ød
AR 630 sileo	235	634	720	690	12 x Ø11,5

## Wiring



High speed

Low Speed

$\Delta$ -Connection

Y-Connection

## Ecodesign

Ecodesign 327	
Manufacturer	Systemair GmbH, Seehöfer Str. 45, DE-97944 Boxberg, Amtsgericht (court of registration) Mannheim, HRB 560437
Type	AR 630DS
Year of manufacture	See name plate of the fan
Air flow qv	1.9906 m <sup>3</sup> /s
Efficiency category	static
Efficiency grade N	41.6
Efficiency grade target N	40
Speed (rpm) n	908 r.p.m.
Pressure increase total psf	100 Pa
Power consumption Ped	600 W
Overall efficiency	33.8 %
Variable speed drive	No
Additional components	Components used to calculate the energy efficiency that are not apparent from the measurement category are detailed in the CE declaration.
Maintenance	Information on installation, operation and maintenance is provided in the operating instructions.
Recycling / disposal	Information on recycling and disposal is provided in the operating instructions.

## Accessories

- AWE-SK Motorprotection 2A/230V (5138)
- GFL-AR/AXC 630 counter flange (8382)
- RTRD 2 Speed Contr. Systemair (5941)
- S-DT 16E Motor Protection (161207)
- SG AXC/AM/AR 630 guard grill (310691)
- EV-AR/AXC 630 flex.conn. 70°C (8358)
- MFA-AXC/AM 630 mounting foot (311289)
- RTRDU 2 Speed contr. Systemair (5945)
- S-DT2SKT Two speed switch Y/D (2697)

## Documents

- L-BAL-001-SYSTEMAIR.PDF
- UKCA-declaration of conformity\_AXC\_001
- installation variations\_1\_AR\_AW.pdf