

AR 710E6 sileo Axial fan

Axial duct fan

Item Number: 34482

Variant: 230V 1~ 50Hz

speed controllable by voltage reduction
 inlet protection guard available as accessory
 safe and maintenance free operation
 can be installed in any mounting position
 electric connection via terminal box mounted on the casing
 supplied with capacitor

Axial fans of the AR sileo range do have a bionic shape of the fan blade, and are driven by external rotor motors. The AR range is mounted in a round casing according Eurovent 1/2 made from galvanized steel and are completely painted in black (RAL9005). The protection guard as an accessory is powder coated in black. The axial impeller is manufactured from pressure die cast aluminum and is painted in black. The impeller is balanced dynamically in two levels in accordance with DIN ISO 1940 part 1, quality G6.3.

The motors are equipped with thermal contacts for motor protection, with leads to be connected to a motor protection unit, for example Systemair unit S-ET.



Technical parameters

Nominal data		
Voltage (Nominal)	230	V
Frequency	50	Hz
Phase(s)	1~	
Motor circuit connection	D	
Input power	950	W
Input current	4.4	A
Impeller speed	850	r.p.m.
Air flow	max 3.859	m ³ /s
Air flow at max. efficiency	2.454	m ³ /s
Specific ratio	1,000000	
Capacitance of capacitor	16	µF
Temperature of transported air	max 65	°C
Max temperature of transported air, when speed controlled	65	°C
Sound data		
Sound pressure level at 1m	67	dB(A)

Protection/Classification

Enclosure class, motor	IP54
Insulation class	F

Data according to ErP

ErP ready	ErP 2018
Measurement category	A
Efficiency grade	42 η_{actual}
Efficiency, static	35.2 η_{statA}
Target efficiency grade ErP2013	36 $\eta_{\text{target2013}}$
Target efficiency grade ErP2015	40 $\eta_{\text{target2015}}$

Dimensions and weights

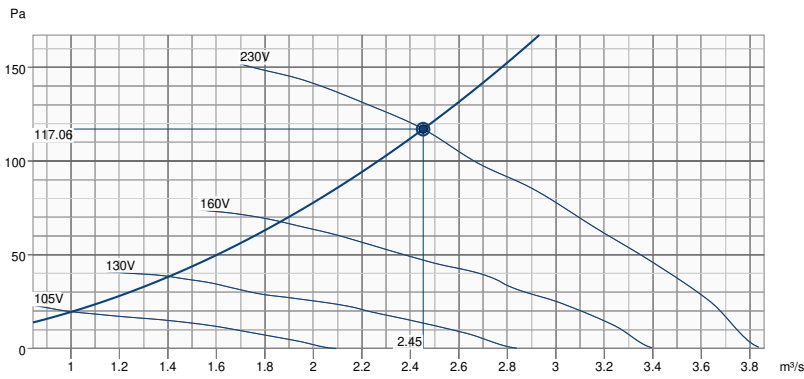
Duct dimension; Circular, inlet	710 mm
Duct dimension; Circular, outlet	710 mm
Weight	35.7 kg

Others

Duct connection type	Circular
Color name, casing	Black
Motor type	AC

Performance

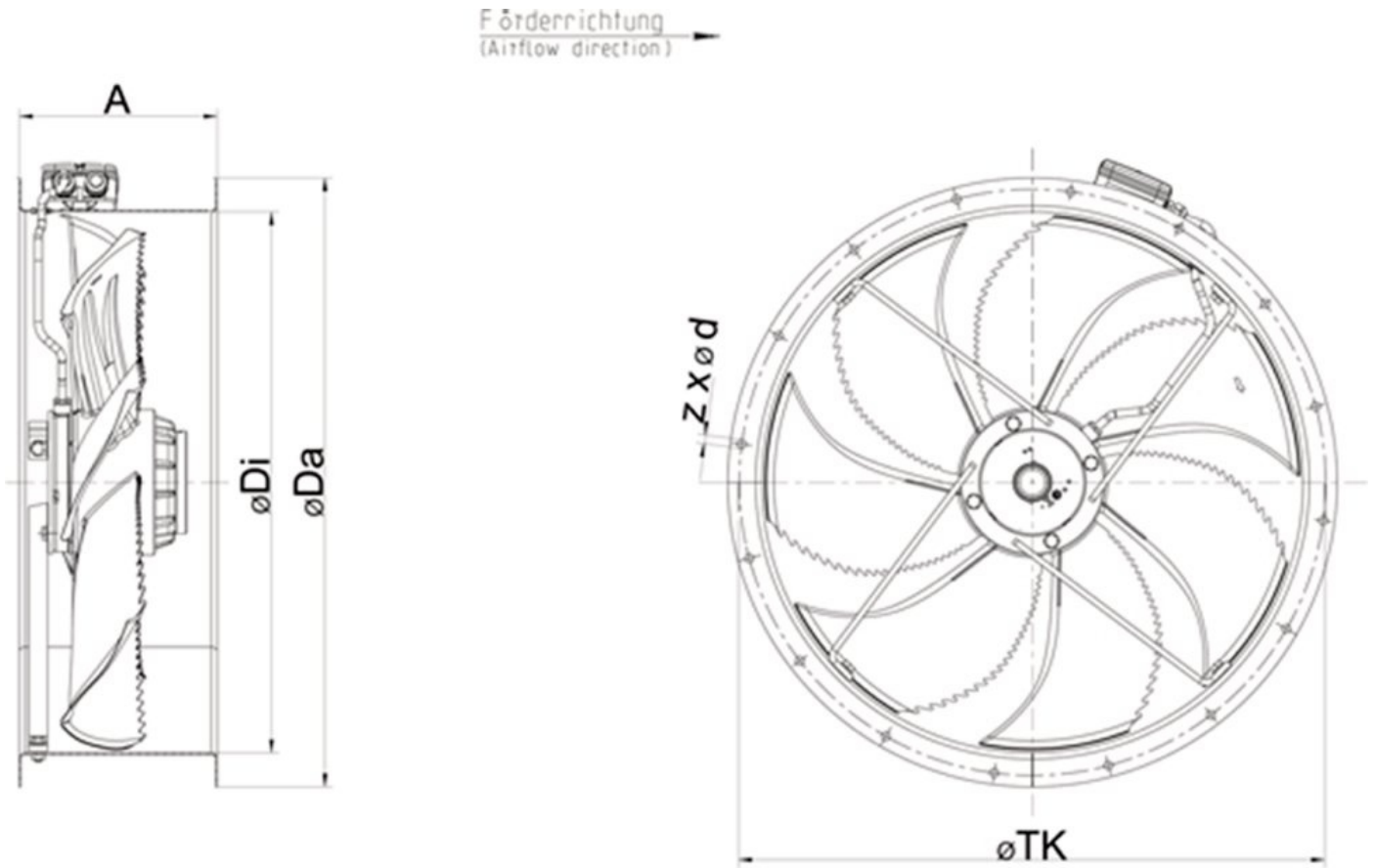
Performance curve



Hydraulic data	
Required air flow	2.45 m³/s
Required static pressure	117 Pa
Working air flow	2.45 m³/s
Working static pressure	117 Pa
Air density	1.204 kg/m³
Power	837.1 W
Fan control - RPM	881 rpm
Current	3.78 A
SFP	0.341 kW/m³/s
Control voltage	230.0 V
Supply voltage	230 V

Sound power level		63	125	250	500	1k	2k	4k	8k	Total
Inlet	dB(A)	52	62	65	67	70	68	62	57	74
Outlet	dB(A)	52	62	65	67	70	65	61	55	74

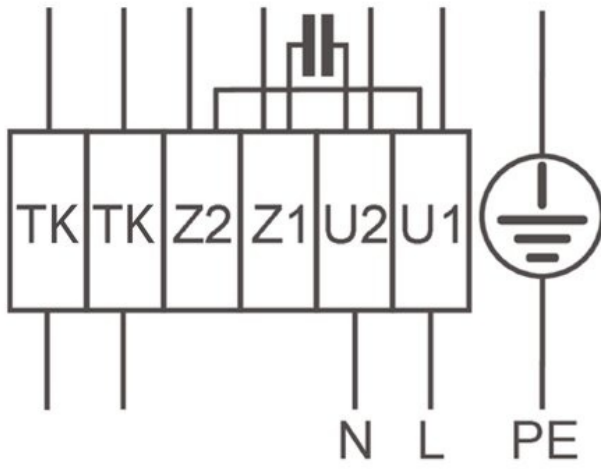
Dimension



	A	ØDi	ØDa	ØTK	z x Ød
AR 710 sileo	260	711	800	770	16 x Ø11.5

Wiring

Linkslauf
Counter Clockwise rotation
Rotation à gauche



Ecodesign

Ecodesign 327	
Manufacturer	Systemair GmbH, Seehöfer Str. 45, DE-97944 Boxberg, Amtsgericht (court of registration) Mannheim, HRB 560437
Type	AR 710E6
Year of manufacture	See name plate of the fan
Air flow qv	2.4539 m ³ /s
Efficiency category	static
Efficiency grade N	42
Efficiency grade target N	40
Speed (rpm) n	881 r.p.m.
Pressure increase total psf	117 Pa
Power consumption Ped	840 W
Overall efficiency	35.2 %
Variable speed drive	No
Additional components	Components used to calculate the energy efficiency that are not apparent from the measurement category are detailed in the CE declaration.
Maintenance	Information on installation, operation and maintenance is provided in the operating instructions.
Recycling / disposal	Information on recycling and disposal is provided in the operating instructions.

Accessories

- EV-AR/AXC 710 flex.conn. 70°C (8359)
- MFA-AXC/AM 710 mounting foot (311290)
- RTRE 5 Speed control (5010)
- S-ET 10 Motor Protection (161199)
- GFL-AR/AXC 710 counter flange (8383)
- REU 5 Speed control (5006)
- S-ET 10 Motor Protection (5154)
- SG AXC/AM/AR 710 guard grill (310692)

Documents

- L-BAL-001-SYSTEMAIR.PDF
- UKCA-declaration of conformity_AXC_001