

AW 250E2 sileo Axial fan

Axial wall fan

Item Number: 37404

Variant: 230V 1~ 50Hz

- Speed controllable via voltage reduction or, with 400V version, also 2-stage operation possible via D/Y switching
- Contact protection grille on the inlet
- Reliable and maintenance-free
- Can be installed in any position
- Electrical connection via terminal box, permanently mounted on motor
- For 1~ fans, capacitor included in terminal box

Axial fans of the AW sileo series have a bionically designed blade geometry and are driven by external rotor motors. AW fans have a square wall ring plate made of galvanised sheet steel. The black painted axial impellers are made of coated steel. Impeller dynamically balanced in 2 planes according to DIN ISO 1940 part 1, quality class G6.3. For motor protection, the fans are equipped with thermostatic switches with lead-out cables for connection to a motor protection device, e.g. S-ET. Motor cooling through arrangement of the motor within the air flow.



Technical parameters

Nominal data	
Voltage (nominal)	230 V
Frequency	50 Hz
Phase(s)	1~
Motor circuit connection	D
Input power	148 W
Input current	0.647 A
Impeller speed	2,289 rpm
Air flow	max 0.496 m ³ /s
Capacitance of capacitor	3 µF
Temperature of transported air	max 65 °C
Max temperature of transported air, when speed controlled	65 °C
Sound data	
Sound pressure level at 1m	66 dB(A)
Protection/Classification	
Enclosure class, motor	IP44
Insulation class	B

Data according to ErP

ErP ready

Not ErP relevant

Dimensions and weights

Weight

4 kg

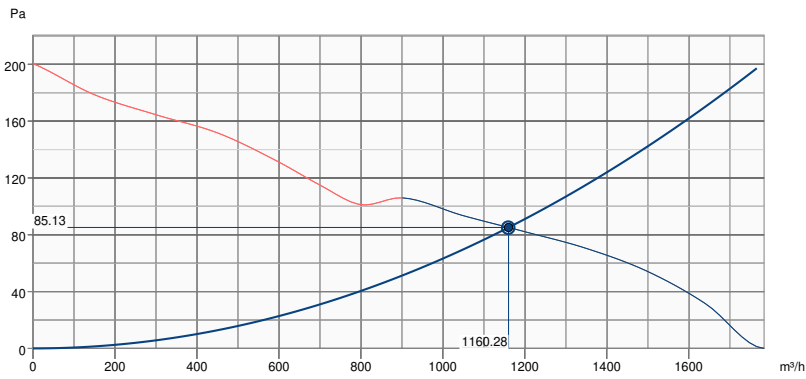
Others

Motor type

AC

Performance

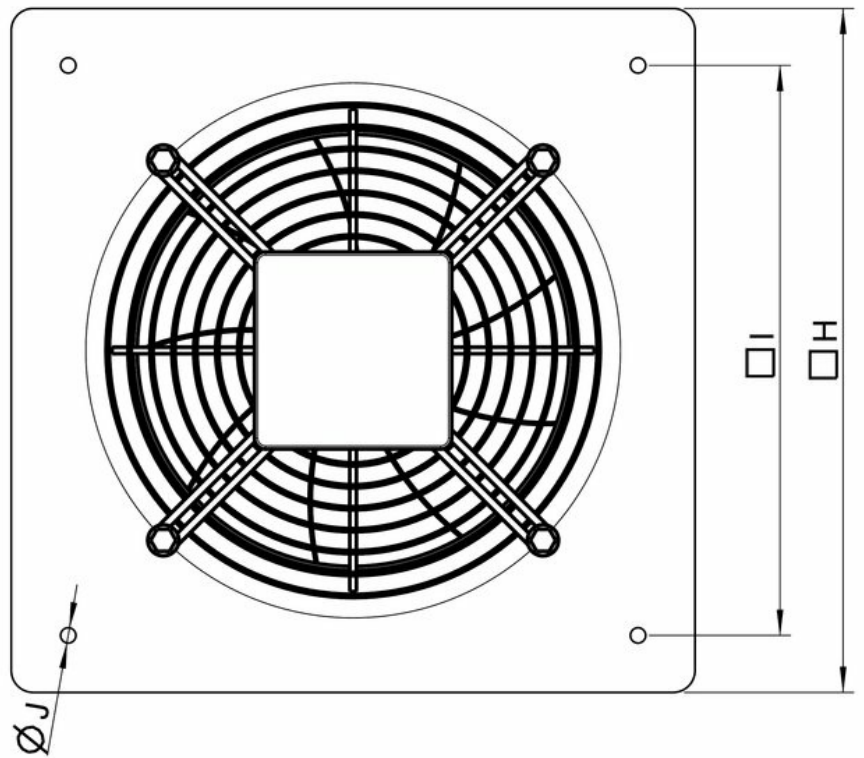
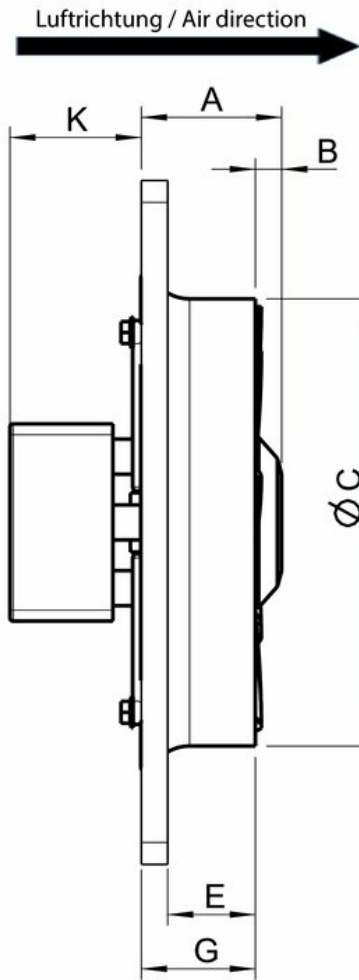
Performance curve



Hydraulic data	
Required air flow	1159.47 m³/h
Required static pressure	85 Pa
Working air flow	1160.28 m³/h
Working static pressure	85 Pa
Air density	1.204 kg/m³
Power	146.8 W
Fan control - RPM	2305 rpm
Current	0.60 A
SFP	0.455 kW/m³/s
Control voltage	230.0 V
Supply voltage	230 V

Sound power level		63	125	250	500	1k	2k	4k	8k	Total
Inlet	dB(A)	37	59	66	71	70	72	68	59	77
Outlet	dB(A)	38	60	67	71	71	73	69	60	78

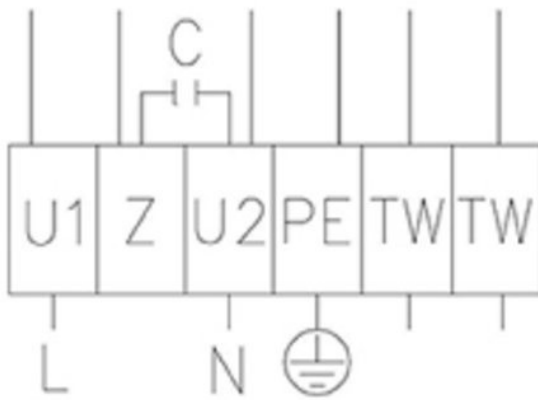
Dimension



	A	B	øC	E	G	□H	□I	øJ	K
AW 250E2 sileo	73	17	260	51	57	370	320	7	65

Wiring

Einphasen-Wechselstrommotor mit Betriebskondensator Singlephase AC motor with capacitor



U₁ =blau/blue
Z =braun/brown
U₂ =schwarz/black
PE =grün/gelb
green/yellow

Accessories

- AWE-SK Motorprotection 2A/230V (5138)
- REU 1.5 Speed control (5004)
- RTRE 1,5 Speed control (5008)
- VK-25 Louvre shutter (5640)
- REE 1 Speed control (5314)
- REV-5POL/05-7,5kW R/Y (33979)
- S-ET 10 Motor Protection (161199)
- RAW 200/250 Roof Cowl c/w BG (85991)

Documents

- IMO - 37404 - AW 250E2 SILEO.PDF
- MANUAL_AW_AR_EBM_EN_003-MIN.PDF
- UKCA-declaration of conformity_AXC_001
- installation variations_2_AR_AW.pdf