

AW 250 EC sileo Axial fan

Axial wall fan

Item Number: 35855

Variant: 230V 1~ 50/60Hz

- 100% speed controllable
- electric connection via terminal box mounted on the motor
- inlet protection guard
- Integrated motor protection
- safe and maintenance free operation
- installation in any mounting position

Axial fans of the range AW EC sileo are driven by high efficient, energy saving EC-external rotor motors. The power electronics is integrated in the motor casing/terminal box. All motors are suitable to be used for 50/60Hz. The input voltage for single phase units can vary between 200 and 240V. Speed control by a 0-10V signal. The AW EC sileo range is equipped with a square wall plate made from galvanized steel and is completely powder coated in black (RAL9005). The protection guard at the inlet side is powder coated in black. The axial impeller is manufactured from fiber-reinforced Plastic (PP) with metal core. The impeller is balanced dynamically in two levels in accordance with DIN ISO 1940 part 1, quality G6.3.



Technical parameters

Nominal data		
Voltage (Nominal)	230	V
Frequency	50; 60	Hz
Phase(s)	1~	
Input power	83	W
Input current	0.72	A
Impeller speed	2,330	r.p.m.
Air flow	max 0.475	m ³ /s
Temperature of transported air	max 60	°C
Max temperature of transported air, when speed controlled	60	°C
Sound data		
Sound pressure level at 1m	67	dB(A)
Protection/Classification		
Enclosure class, motor	IP54	
Insulation class	B	

Data according to ErP

ErP ready

ErP 2018

Dimensions and weights

Weight

3.3 kg

Others

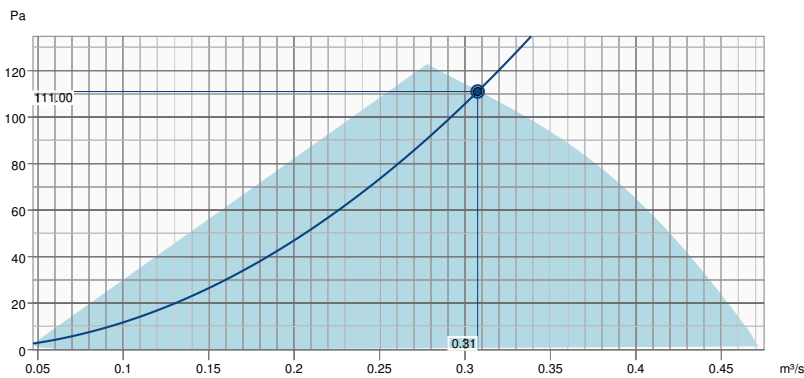
Color name, casing

Black

Motor type

EC

Performance curve

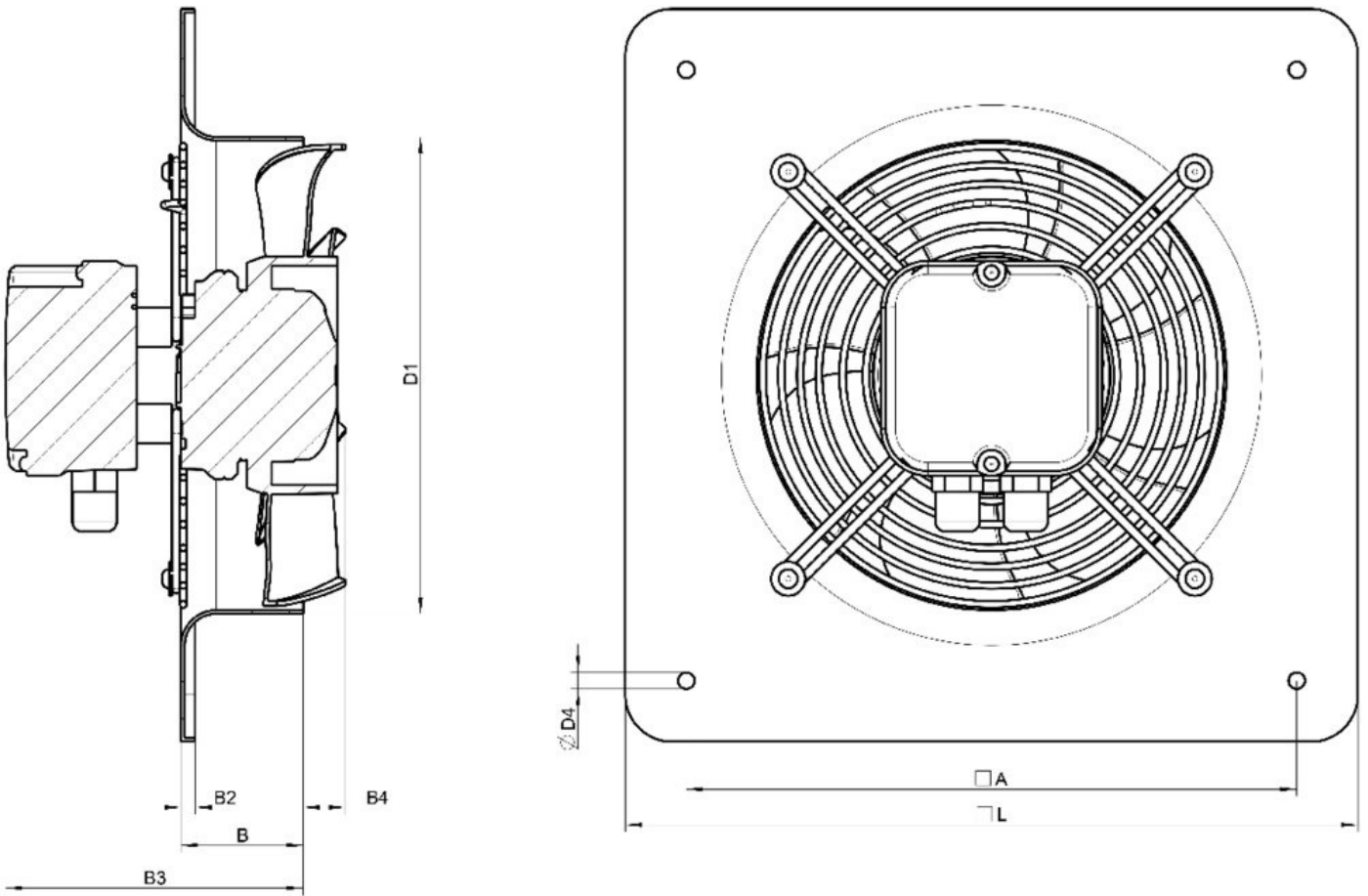


Hydraulic data

Required air flow	0.31 m³/s
Required static pressure	111 Pa
Working air flow	0.31 m³/s
Working static pressure	111 Pa
Air density	1.204 kg/m³
Power	83.4 W
Fan control - RPM	2330 rpm
Current	0.72 A
SFP	0.271 kW/m³/s
Control voltage	230.0 V
Supply voltage	230 V

Sound power level		63	125	250	500	1k	2k	4k	8k	Total
Inlet	dB(A)	40	58	64	69	68	68	64	55	74

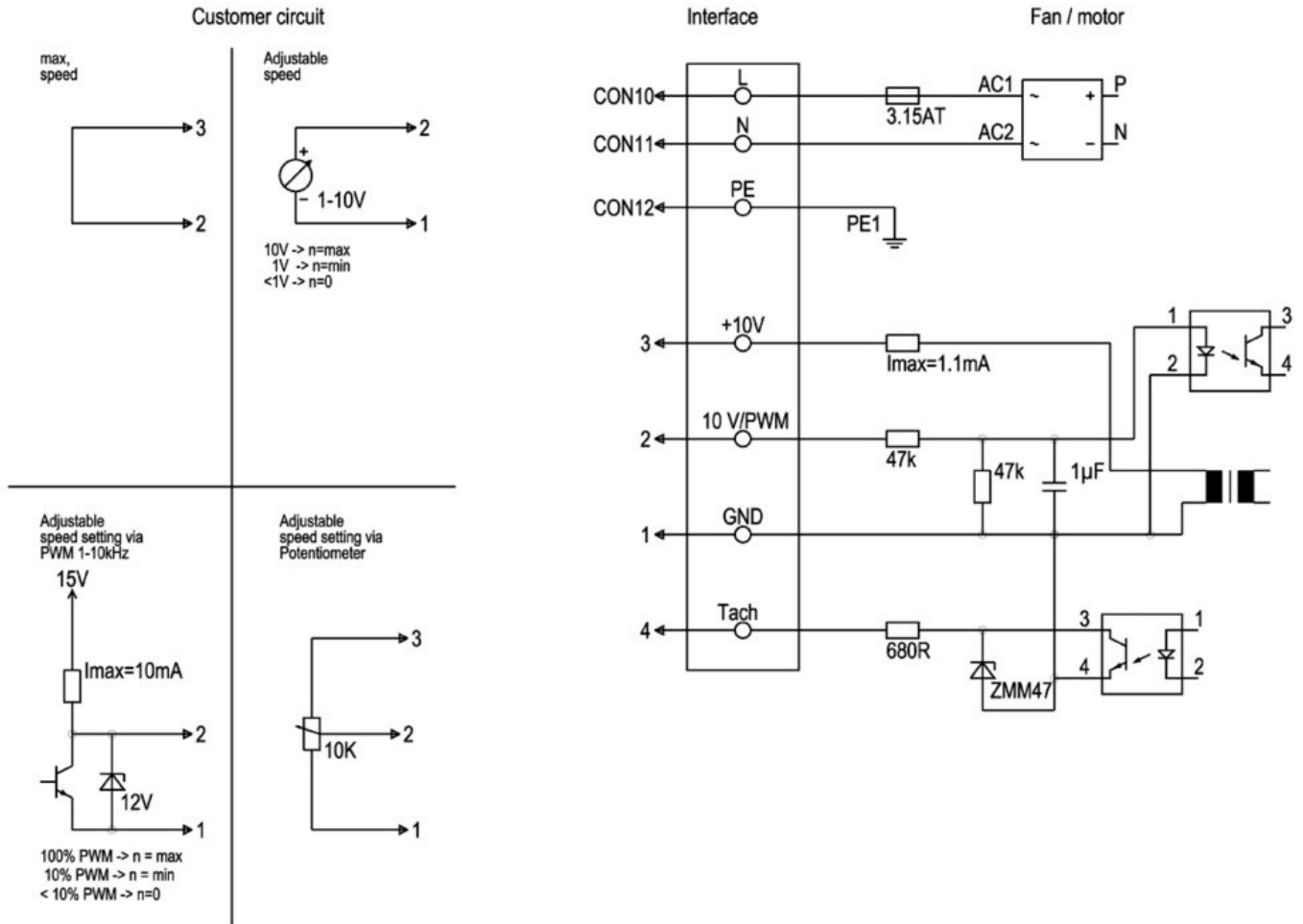
Dimension



A →

	□A	B	B2	B3	B4	ØD1	ØD4	□L
AW 250 EC sileo	320	57	6	132	22	260	7	370

Wiring



No.	Signal	Colour	Function / assignment
CON10	L	black	Power supply 230 VAC, 50-60 Hz, for voltage range refer to rating plate
CON11	N	blue	Neutral conductor
CON12	PE	green/yellow	Protective earth
1	GND	blue	GND - Connection for control interface
2	0- 10V PWM	yellow	Control input 0 - 10 V or PWM, electrically isolated
3	10V/ max 1.1mA	red	Voltage output 10V/ 1.1mA, electrically isolated, not short-circuit-proof.
4	Tach	white	Tach output: open collector, 1 pulse per revolution, electrically isolated

Accessories

- EC-Basic-CO2 and temperature (24808)
- EC-Basic-T temperature (24805)
- EC-Vent control board (3115)
- MTP 10, 10K, Speed control (32731)
- MTV-1/010 Controller 0..10V+ (30650)
- S-5EC/FRQ (76738)
- EC-Basic-H humidity (24807)
- EC-Basic-U universal 0-10V (24806)
- EC-Vent Room Unit (3018)
- MTP 20, on/off, 3-step (310220)
- REV-3POL/03 ON/OFF (33978)
- VK-25 Louvre shutter (5640)

Documents

- IMO_AW_250_EC_SILEO_35855_DE,EN.PDF
- MANUAL_AW__AR_EBM_EN_003-MIN.PDF
- EU_DECLARATION_OF_CONFORMITY_AXIAL_FANS_EN_004.PDF
- installation_variations_2_AR_AW.pdf