

AW 300 EC sileo Axial fan

Axial wall fan

Item Number: 35857

Variant: 230V 1~ 50/60Hz

- 100% speed controllable
- electric connection via terminal box mounted on the motor
- inlet protection guard
- Integrated motor protection
- safe and maintenance free operation
- installation in any mounting position

Axial fans of the range AW EC sileo are driven by high efficient, energy saving EC-external rotor motors. The power electronics is integrated in the motor casing/terminal box. All motors are suitable to be used for 50/60Hz. The input voltage for single phase units can vary between 200 and 240V. Speed control by a 0-10V signal. The AW EC sileo range is equipped with a square wall plate made from galvanized steel and is completely powder coated in black (RAL9005). The protection guard at the inlet side is powder coated in black. The axial impeller is manufactured from fiber-reinforced Plastic (PP) with metal core. The impeller is balanced dynamically in two levels in accordance with DIN ISO 1940 part 1, quality G6.3.



Technical parameters

Nominal data		
Voltage (Nominal)	230	V
Frequency	50; 60	Hz
Phase(s)	1~	
Input power	167	W
Input current	1.36	A
Impeller speed	2,245	r.p.m.
Air flow	max 0.883	m ³ /s
Air flow at max. efficiency	0.4986	m ³ /s
Specific ratio	1,000000	
Temperature of transported air	max 60	°C
Max temperature of transported air, when speed controlled	60	°C
Sound data		
Sound pressure level at 1m	62	dB(A)

Protection/Classification

Enclosure class, motor	IP54
Insulation class	B

Data according to ErP

ErP ready	ErP 2018
Measurement category	A
Efficiency grade	54.5 η_{actual}
Efficiency, static	43.1 η_{statA}
Target efficiency grade ErP2013	36 $\eta_{\text{target2013}}$
Target efficiency grade ErP2015	40 $\eta_{\text{target2015}}$

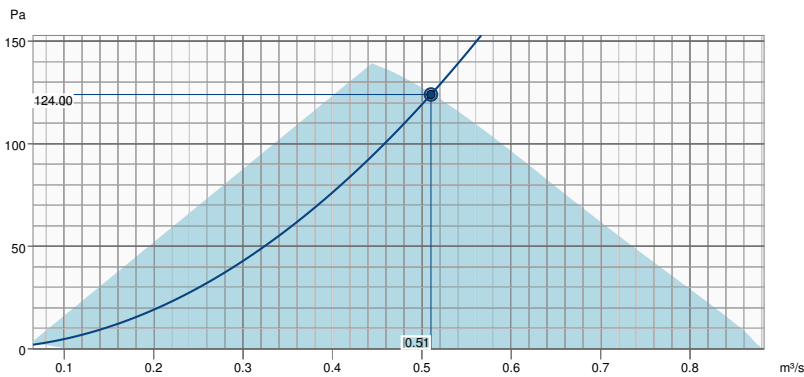
Dimensions and weights

Weight	5 kg
--------	------

Others

Color name, casing	Black
Motor type	EC

Performance curve

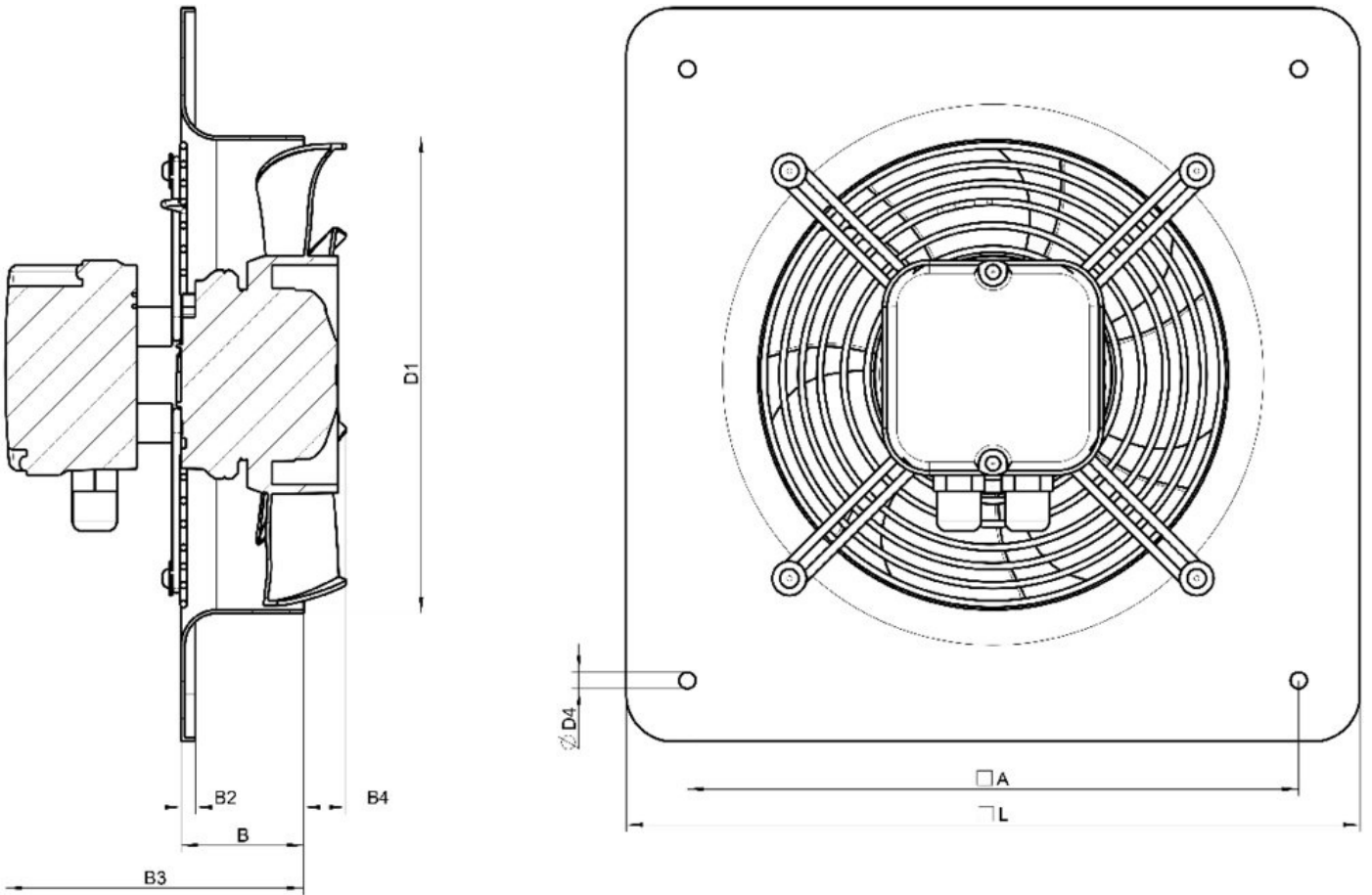


Hydraulic data

Required air flow	0.51 m³/s
Required static pressure	124 Pa
Working air flow	0.51 m³/s
Working static pressure	124 Pa
Air density	1.204 kg/m³
Power	166.7 W
Fan control - RPM	2061 rpm
Current	1.32 A
SFP	0.327 kW/m³/s
Control voltage	230.0 V
Supply voltage	230 V

Sound power level		63	125	250	500	1k	2k	4k	8k	Total
Inlet	dB(A)	48	60	60	62	63	63	59	53	69

Dimension

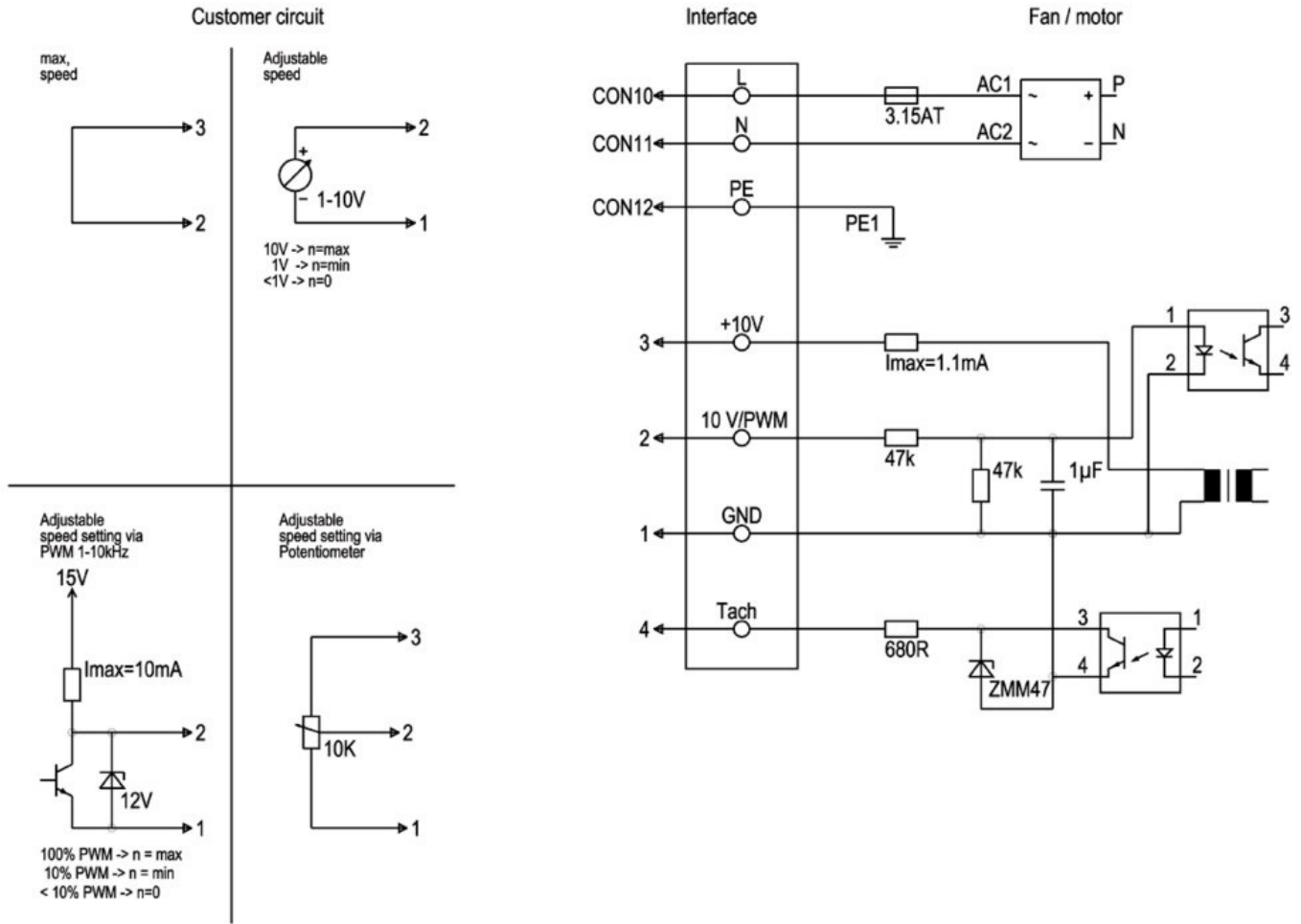


A →

□A	B	B2	B3	B4	ØD1	ØD4	□L
----	---	----	----	----	-----	-----	----

AW 300 EC sileo	380	80	11	157	11	327	9	430
-----------------	-----	----	----	-----	----	-----	---	-----

Wiring



No.	Signal	Colour	Function / assignment
CON10	L	black	Power supply 230 VAC, 50-60 Hz, for voltage range refer to rating plate
CON11	N	blue	Neutral conductor
CON12	PE	green/yellow	Protective earth
1	GND	blue	GND - Connection for control interface
2	0- 10V PWM	yellow	Control input 0 - 10 V or PWM, electrically isolated
3	10V/ max 1.1mA	red	Voltage output 10V/ 1.1mA, electrically isolated, not short-circuit-proof.
4	Tach	white	Tach output: open collector, 1 pulse per revolution, electrically isolated

Ecodesign

Ecodesign 327	
Manufacturer	Systemair GmbH, Seehöfer Str. 45, DE-97944 Boxberg, Amtsgericht (court of registration) Mannheim, HRB 360437
Type	AW 300 EC
Year of manufacture	See name plate of the fan
Air flow qv	0.4986 m ³ /s
Efficiency category	static
Efficiency grade N	54.5
Efficiency grade target N	40
Speed (rpm) n	2,060 r.p.m.
Pressure increase total psf	128 Pa
Power consumption Ped	160 W
Overall efficiency	43.1 %
Overall efficiency target	28.6 %
Variable speed drive	Yes
Additional components	Components used to calculate the energy efficiency that are not apparent from the measurement category are detailed in the CE declaration.
Maintenance	Information on installation, operation and maintenance is provided in the operating instructions.
Recycling / disposal	Information on recycling and disposal is provided in the operating instructions.

Accessories

- EC-Basic-CO2 and temperature (24808)
- EC-Basic-T temperature (24805)
- EC-Vent control board (3115)
- MTP 10, 10K, Speed control (32731)
- MTV-1/010 Controller 0..10V+ (30650)
- S-5EC/FRQ (76738)
- EC-Basic-H humidity (24807)
- EC-Basic-U universal 0-10V (24806)
- EC-Vent Room Unit (3018)
- MTP 20, on/off, 3-step (310220)
- REV-3POL/03 ON/OFF (33978)

Documents

- IMO_AW_300_EC_SILEO_35857_DE,EN.PDF
- MANUAL_AW__AR_EBM_EN_003-MIN.PDF
- EU_DECLARATION_OF_CONFORMITY_AXIAL_FANS_EN_004.PDF
- installation_variations_2_AR_AW.pdf