

AW 315E4 sileo Axial fan

Axial wall fan

Item Number: [37407](#)

Variant: 230V 1~ 50Hz - D (Delta)

Speed controllable by voltage reduction, plus option of 2-step operation by D/Y switching for 400V versions.

Inlet protection guard.

Safe and maintenance free operation.

Can be installed in any mounting position.

Electric connection via terminal box mounted on the motor.

Single phase fans are supplied with capacitor.

Axial fans of the AW sileo range do have a bionic shape of the fan blade, and are driven by external rotor motors. The AW range is equipped with a square wall plate, galvanized steel and powder coated in black (RAL9005). The protection guard at the inlet side is powder coated in black. The axial impeller is manufactured from pressure die cast aluminum and also painted in black (RAL9005). The impeller is balanced dynamically in two levels in accordance with DIN ISO 1940 part 1, quality G6.3.

The motors are equipped with thermal contacts for motor protection, with leads to be connected to a motor protection unit.



Technical parameters

Normal data		
Voltage (nominal)	230	V
Frequency	50	Hz
Phase(s)	1~	
Motor circuit connection	D	
Input power	145	W
Input current	0.655	A
Impeller speed	1,228	r.p.m.
Air flow	max 2,117	m³/h
Capacitance of capacitor	3	µF
Temperature of transported air	max 65	°C
Max temperature of transported air, when speed controlled	65	°C

Sound data

Sound pressure level at 1m	59 dB(A)
----------------------------	----------

Protection/Classification

Enclosure class, motor	IP44
------------------------	------

Insulation class	F
------------------	---

Dimensions and weights

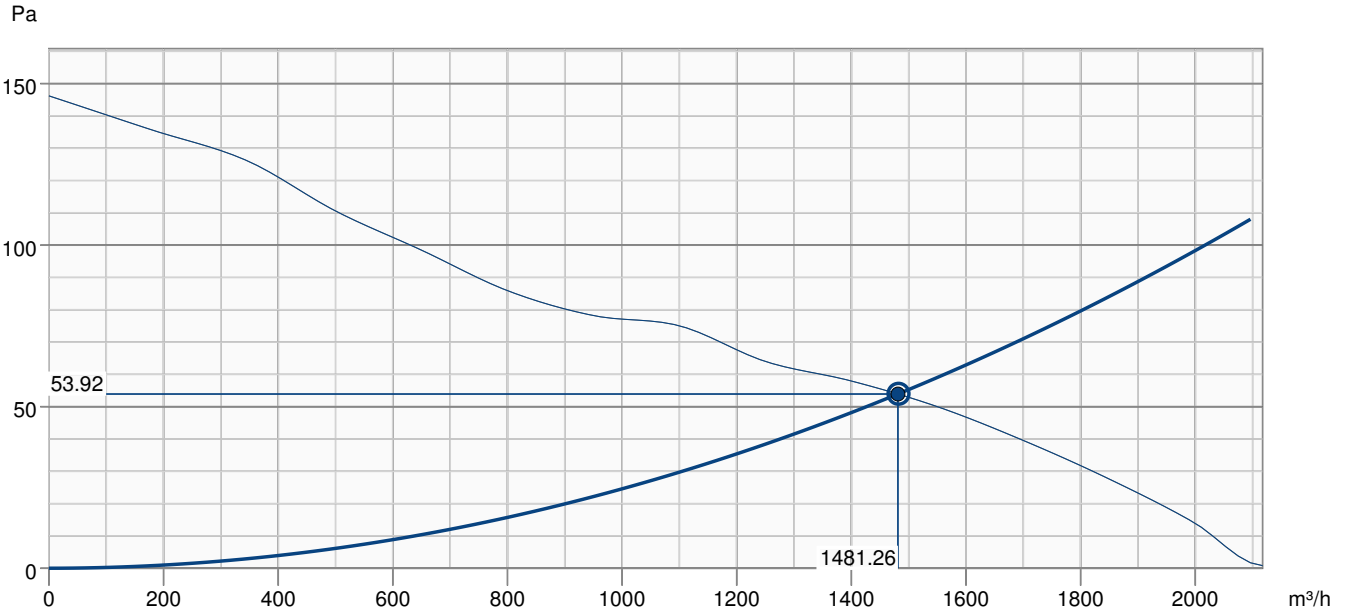
Weight	5.7 kg
--------	--------

Others

Color name, casing	Black
--------------------	-------

Motor type	AC
------------	----

Performance curve

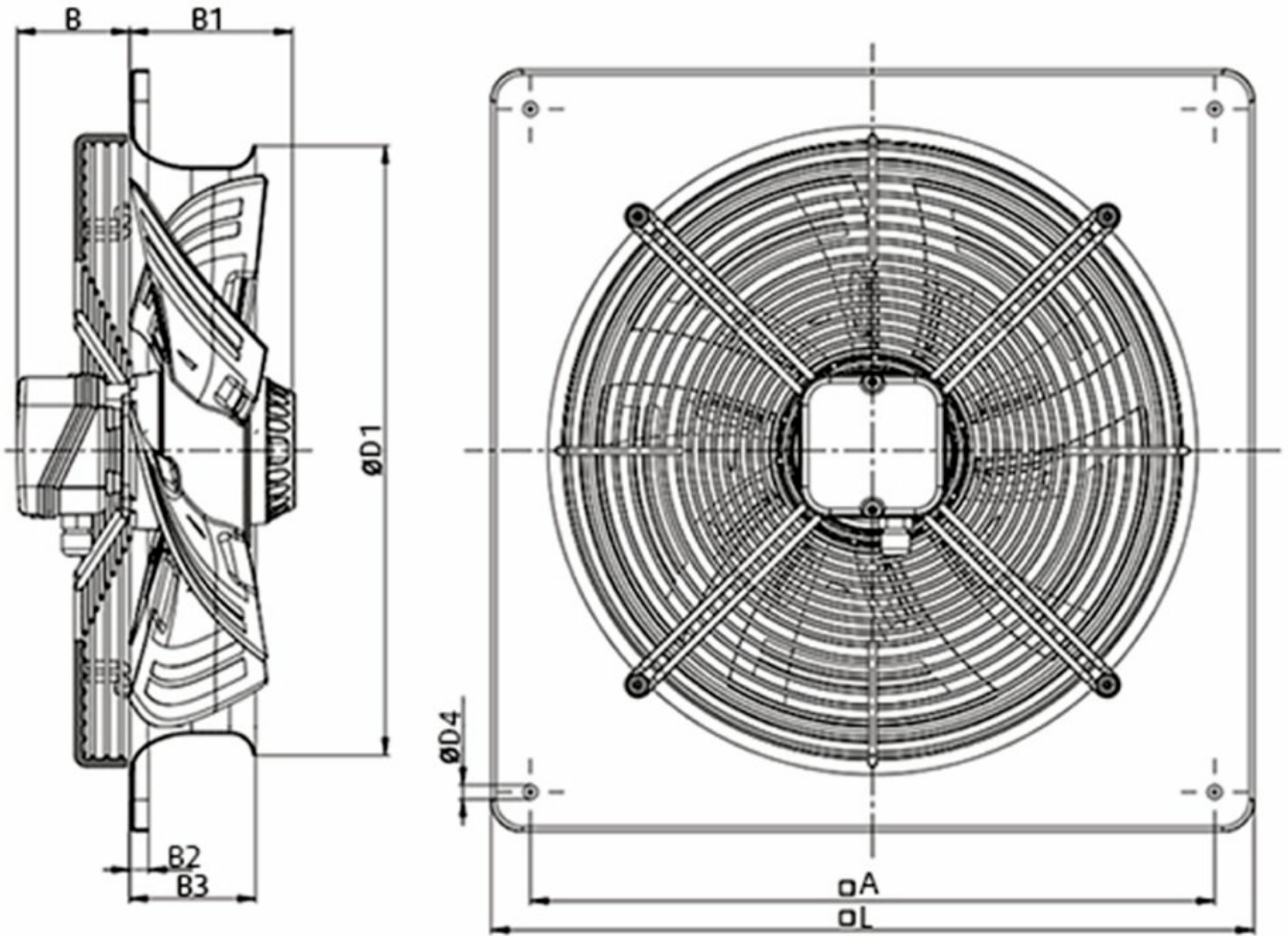


Hydraulic data

Required air flow	1482 m³/h
Required static pressure	54 Pa
Working air flow	1481 m³/h
Working static pressure	54 Pa
Air density	1.204 kg/m³
Power	106.3 W
Fan control - RPM	1355 rpm
Current	0.51 A
SFP	0.258 kW/m³/s
Control voltage	230.0 V
Supply voltage	230 V

Sound power level		63	125	250	500	1k	2k	4k	8k	Total
Inlet	dB(A)	44	49	49	50	53	52	48	37	59
Outlet	dB(A)	44	50	50	51	54	53	48	38	60

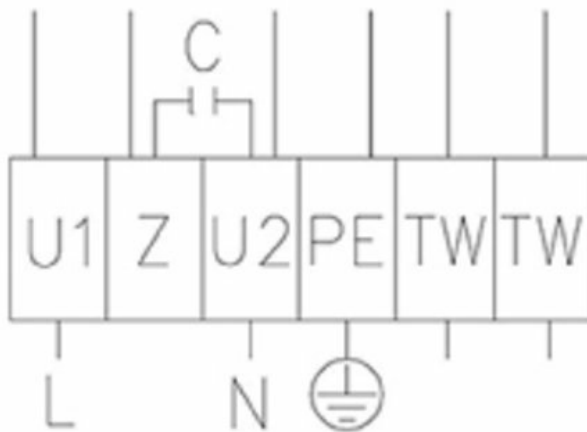
Dimension



	B	B1	$\varnothing D1$	B2	B3	$\square A$	$\square L$	$\varnothing D4$
AW 315E4 sileo	76	83	345	11	73	380	430	9

Wiring

Einphasen-Wechselstrommotor mit Betriebskondensator Singlephase AC motor with capacitor



U₁ =blau/blue
Z =braun/brown
U₂ =schwarz/black
PE =grün/gelb
green/yellow

Accessories

- AWE-SK Motorprotection 2A/230V (5138)
- REU 1.5 Speed control (5004)
- RTRE 1,5 Speed control (5008)
- VK-30 Louvre shutter (5641)
- REE 1 Speed control (5314)
- REV-5POL/05 ON/OFF (33979)
- S-ET 10 Motor Protection (161199)
- VK-30 Louvre shutter (87688)

Documents

- IMO - 37407 - AW 315E4 SILEO.PDF
- EU_DECLARATION_OF_CONFORMITY_AXIAL_FANS_EN_003.PDF
- installation variations_2_AR_AW.pdf

Specification

The box with a quadratic wall plate made out of electroplated steel plate is powder- coated and black. The protection guard is included. The fan can be installed in each fitting position. The axial impeller with airfoil made out of electroplated steel plate is coated black. The actuation is carried out by a maintenance- free, speed- controlled external rotor motor. The fan is speed- controllable by a thyristor or a transformer alternatively at a 400V- Construction a 2- stepped operation trough a D/Y- Connection is also possible. For protecting the motor integrated thermostat relays with completed lines to a motor protection device are built in. . For annealing the motor is situated in the air flow. Impeller according to VDI 2060, quality category Q6,3 and dynamically weigh heavy in to levels