

AW 350E4 sileo Axial fan

Axial wall fan

Item Number: [34123](#)

Variant: 230V 1~ 50Hz

- speed controllable by voltage reduction
- inlet protection guard
- safe and maintenance free operation
- can be installed in any mounting position
- electric connection via terminal box mounted on the motor
- single phase fans are supplied with capacitor



Axial fans of the AW sileo range do have a bionic shape of the fan blade, and are driven by external rotor motors. The AW range is

equipped with a square wall plate, galvanized steel and powder coated in black (RAL9005). The protection guard at the inlet side is powder coated in black. The axial impeller is manufactured from black high efficiency composite material. The impeller is balanced dynamically in two levels in accordance with DIN ISO 1940 part 1, quality G6.3.

The motors are equipped with thermal contacts for motor protection, with leads to be connected to a motor protection unit, for example Systemair unit S-ET.

Technical parameters

| Norminal data | | |
|---|----------|-------------------|
| Voltage (Nominal) | 230 | V |
| Frequency | 50 | Hz |
| Phase(s) | 1~ | |
| Input power | 170 | W |
| Input current | 0.75 | A |
| Impeller speed | 1,260 | r.p.m. |
| Air flow | max 0.91 | m ³ /s |
| Capacitance of capacitor | 5 | µF |
| Temperature of transported air | max 60 | °C |
| Max temperature of transported air, when speed controlled | 60 | °C |
| Sound data | | |
| Sound pressure level at 1m | 62 | dB(A) |
| Protection/Classification | | |
| Enclosure class, motor | IP44 | |
| Insulation class | F | |

Dimensions and weights

| | |
|--------|--------|
| Weight | 6.8 kg |
|--------|--------|

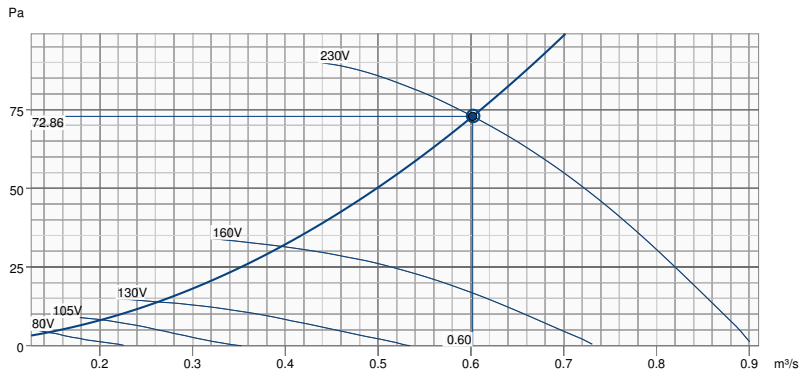
Others

| | |
|--------------------|-------|
| Color name, casing | Black |
|--------------------|-------|

| | |
|------------|----|
| Motor type | AC |
|------------|----|

Performance

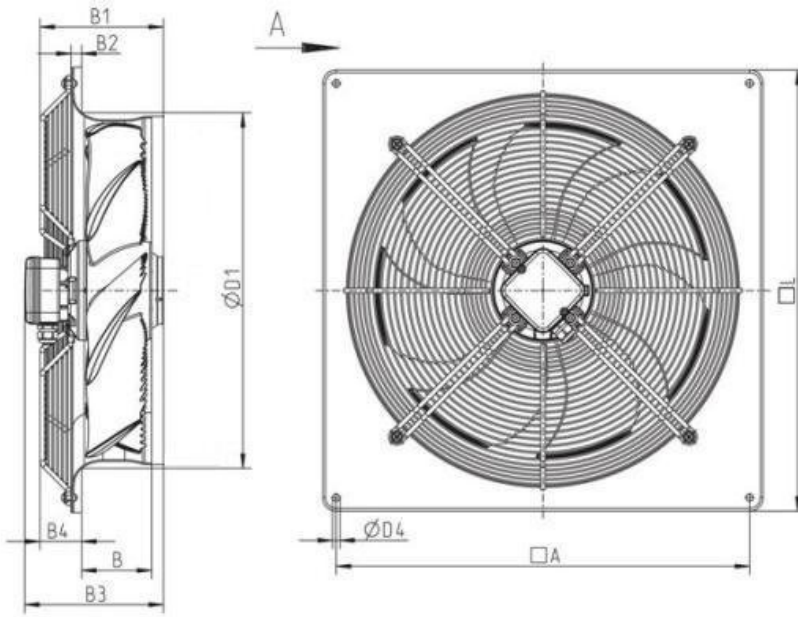
Performance curve



Hydraulic data

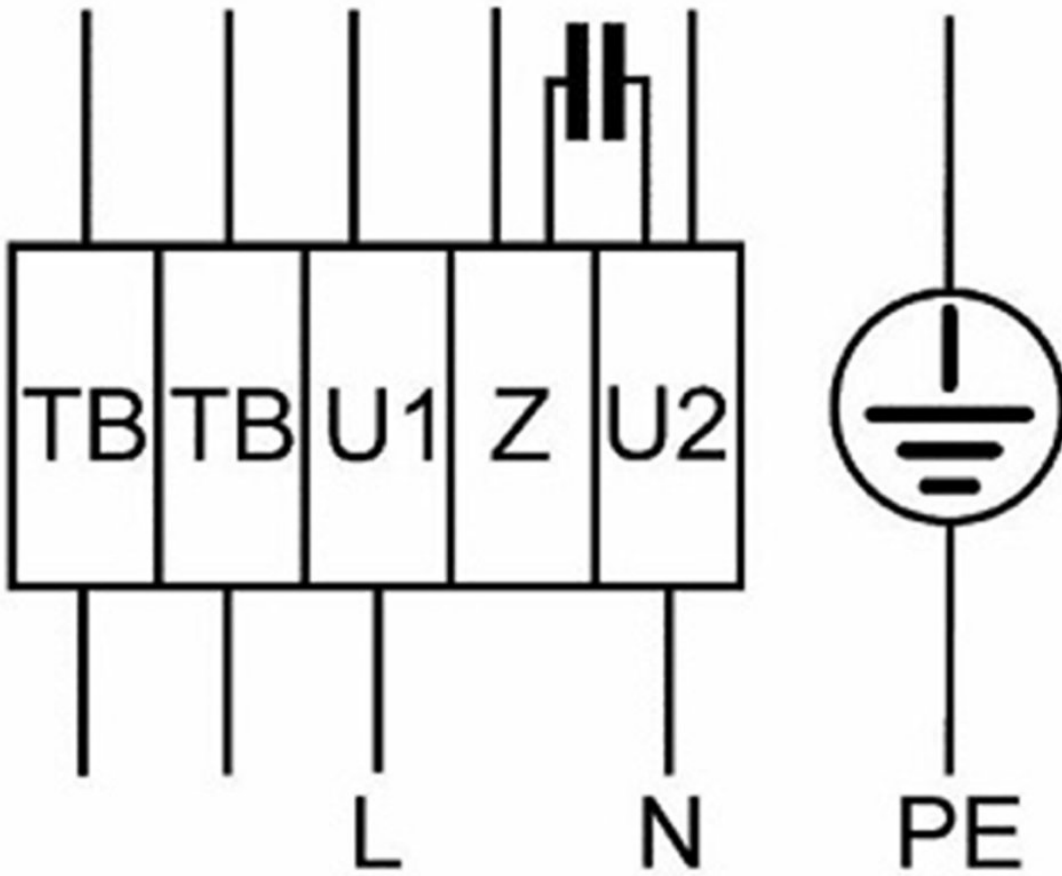
| | |
|--------------------------|---------------|
| Required air flow | 0.60 m³/s |
| Required static pressure | 73 Pa |
| Working air flow | 0.60 m³/s |
| Working static pressure | 73 Pa |
| Air density | 1.204 kg/m³ |
| Power | 166.3 W |
| Fan control - RPM | 1294 rpm |
| Current | 0.73 A |
| SFP | 0.276 kW/m³/s |
| Control voltage | 230.0 V |
| Supply voltage | 230 V |

Dimension



| | □A | B | B1 | B2 | B3 | B4 | ØD1 | ØD4 | □L |
|----------|-----|----|-----|----|-----|----|-----|-----|-----|
| AW 350DV | 435 | 68 | 119 | 12 | 182 | 22 | 388 | 9 | 485 |
| AW 350E4 | 435 | 68 | 132 | 12 | 173 | 49 | 390 | 9 | 485 |

Wiring



Accessories

- AWE-SK Motorprotection 2A/230V (5138)
- REU 1.5 Speed control (5004)
- RTRE 1,5 Speed control (5008)
- VK-35 Louvre shutter (5642)
- REE 1 Speed control (5314)
- REV-5POL/05 ON/OFF (33979)
- S-ET 10 Motor Protection (5154)
- RAW 350 Roof Cowl c/w BG (86501)

Documents

- L-BAL-001-SYSTEMAIR.PDF
- EU_DECLARATION_OF_CONFORMITY_AXIAL_FANS_EN_004.PDF