

AW 350 EC sileo Axial fan

Axial wall fan

Item Number: 35859

Variant: 230V 1~ 50/60Hz

- 100% speed controllable
- electric connection via terminal box mounted on the motor
- inlet protection guard
- Integrated motor protection
- safe and maintenance free operation
- installation in any mounting position

Axial fans of the range AW EC sileo are driven by high efficient, energy saving EC-external rotor motors. The power electronics is integrated in the motor casing/terminal box. All motors are suitable to be used for 50/60Hz. The input voltage for single phase units can vary between 200 and 240V. Speed control by a 0-10V signal. The AW EC sileo range is equipped with a square wall plate made from galvanized steel and is completely powder coated in black (RAL9005). The protection guard at the inlet side is powder coated in black. The axial impeller is manufactured from fiber-reinforced Plastic (PP) with metal core. The impeller is balanced dynamically in two levels in accordance with DIN ISO 1940 part 1, quality G6.3.



Technical parameters

Nominal data		
Voltage (Nominal)	230	V
Frequency	50; 60	Hz
Phase(s)	1~	
Input power	166	W
Input current	1.34	A
Impeller speed	1,494	r.p.m.
Air flow	max 1.036	m³/s
Air flow at max. efficiency	0.6667	m³/s
Specific ratio	1,000000	
Temperature of transported air	max 60	°C
Max temperature of transported air, when speed controlled	60	°C
Sound data		
Sound pressure level at 1m	58	dB(A)

Protection/Classification

Enclosure class, motor	IP54
Insulation class	B

Data according to ErP

ErP ready	ErP 2018
Measurement category	A
Efficiency grade	51.2 η_{actual}
Efficiency, static	39.8 η_{statA}
Target efficiency grade ErP2013	36 $\eta_{\text{target2013}}$
Target efficiency grade ErP2015	40 $\eta_{\text{target2015}}$

Dimensions and weights

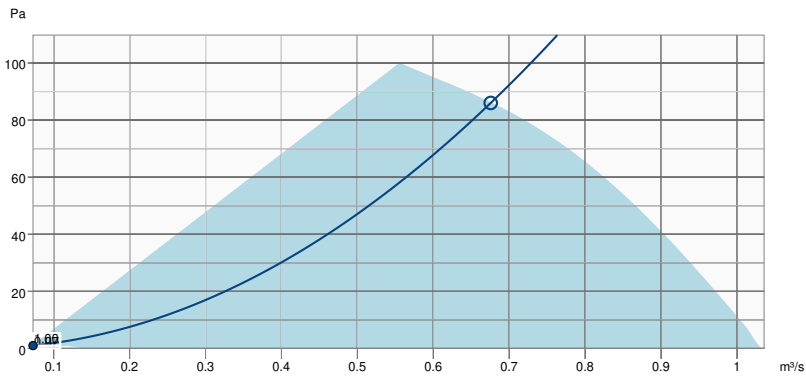
Weight	6.2 kg
--------	--------

Others

Color name, casing	Black
Motor type	EC

Performance

Performance curve

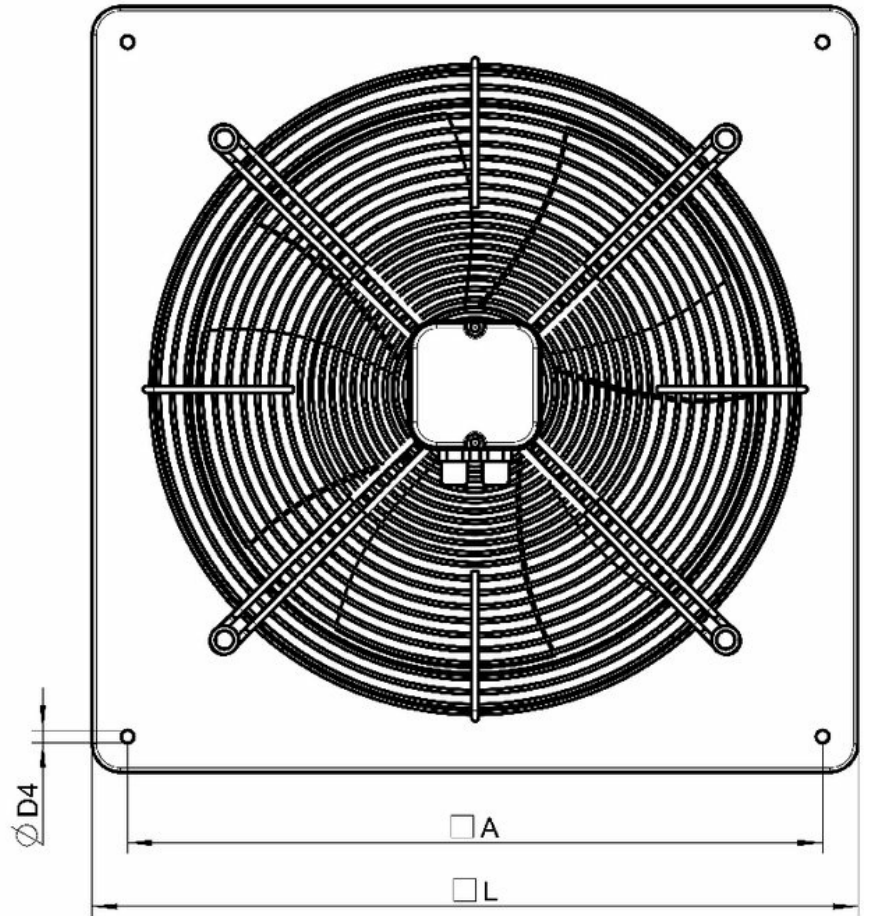
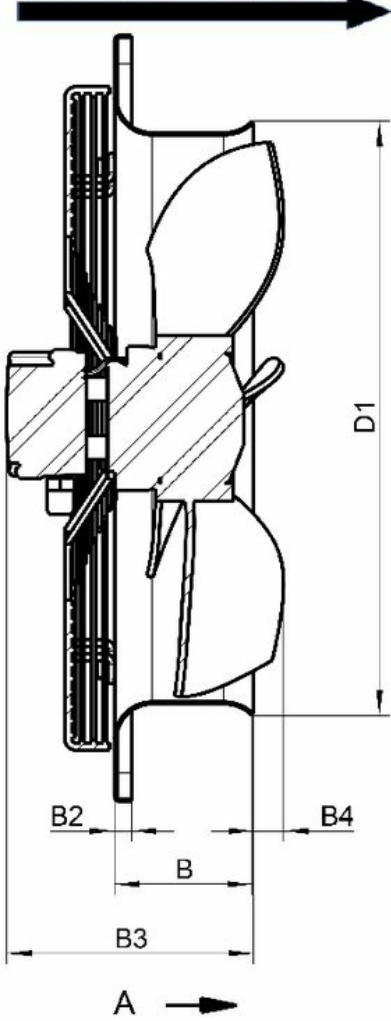


Hydraulic data	
Required air flow	0.68 m³/s
Required static pressure	86 Pa
Working air flow	0.07 m³/s
Working static pressure	1 Pa
Air density	1.204 kg/m³
Power	3.7 W
Fan control - RPM	220 rpm
Current	0.05 A
SFP	0.051 kW/m³/s
Control voltage	230.0 V
Supply voltage	230 V

Sound power level		63	125	250	500	1k	2k	4k	8k	Total
Inlet	dB(A)	<10	<10	<10	12	<10	<10	11	12	19

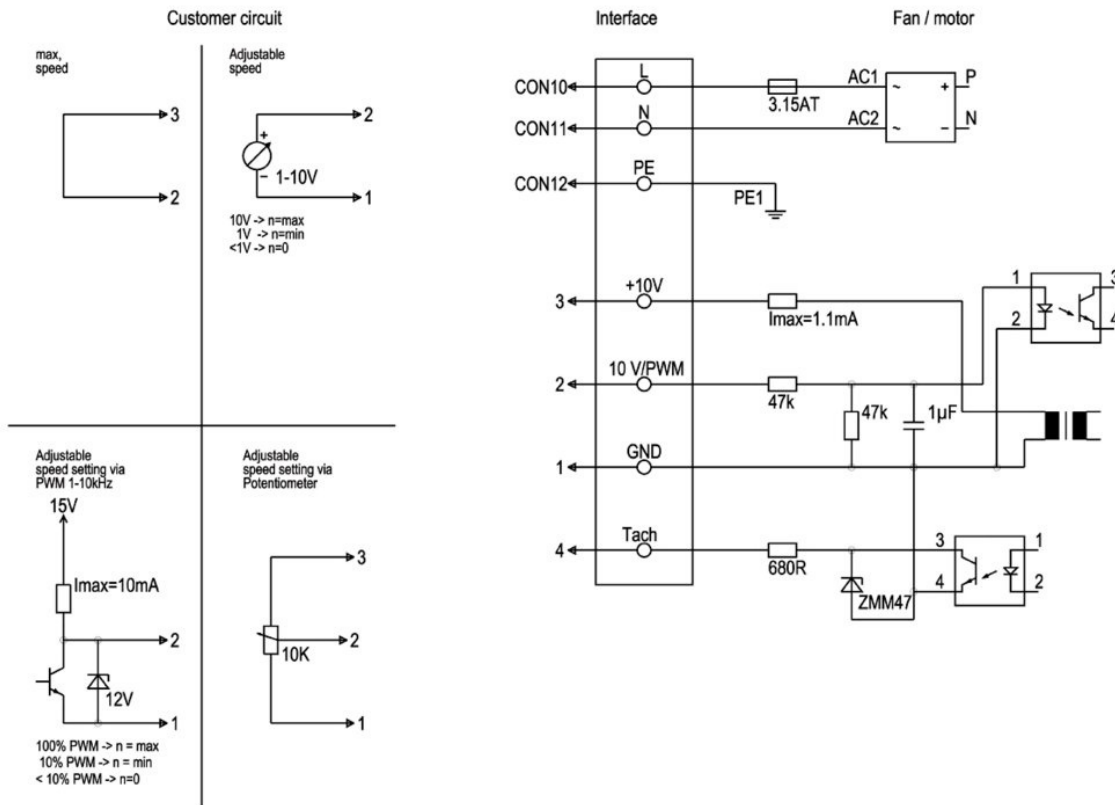
Dimension

Luftrichtung / Air direction



	□A	B	B2	B3	B4	ØD1	ØD4	□L
AW 350 EC sileo	435	80	12	157	11	388	9	485

Wiring



No.	Signal	Colour	Function / assignment
CON10	L	black	Power supply 230 VAC, 50-60 Hz, for voltage range refer to rating plate
CON11	N	blue	Neutral conductor
CON12	PE	green/yellow	Protective earth
1	GND	blue	GND - Connection for control interface
2	0- 10V PWM	yellow	Control input 0 - 10 V or PWM, electrically isolated
3	10V/ max 1.1mA	red	Voltage output 10V/ 1.1mA, electrically isolated, not short-circuit-proof.
4	Tach	white	Tach output: open collector, 1 pulse per revolution, electrically isolated

Ecodesign

Ecodesign 327	
Manufacturer	Systemair GmbH, Seehöfer Str. 45, DE-97944 Boxberg, Amtsgericht (court of registration) Mannheim, HRB 560437
Type	AW 350 EC
Year of manufacture	See name plate of the fan
Air flow qv	0.6667 m ³ /s
Efficiency category	static
Efficiency grade N	51.2
Efficiency grade target N	40
Speed (rpm) n	1,495 r.p.m.
Pressure increase total psf	87 Pa
Power consumption Ped	160 W
Overall efficiency	39.8 %
Overall efficiency target	28.6 %
Variable speed drive	Yes
Additional components	Components used to calculate the energy efficiency that are not apparent from the measurement category are detailed in the CE declaration.
Maintenance	Information on installation, operation and maintenance is provided in the operating instructions.
Recycling / disposal	Information on recycling and disposal is provided in the operating instructions.

Accessories

- EC-Basic-CO2 and temperature (24808)
- EC-Basic-T temperature (24805)
- EC-Vent control board (3115)
- MTP 10, 10K, Speed control (32731)
- MTV-1/010 Controller 0..10V+ (30650)
- VK-35 Louvre shutter (5642)
- EC-Basic-H humidity (24807)
- EC-Basic-U universal 0-10V (24806)
- EC-Vent Room Unit (3018)
- MTP 20, on/off, 3-step (310220)
- S-5EC/FRQ (76738)

Documents

- IMO_AW 350 EC SILEO_35859_DE,EN.PDF
- MANUAL_AW__AR_EBM_EN_003-MIN.PDF
- UKCA-declaration of conformity_AXC_001
- installation variations_2_AR_AW.pdf