

AW 450 EC sileo Axial fan

Axial wall fan

Item Number: 35863

Variant: 230V 1~ 50/60Hz

- 100% speed controllable
- electric connection via terminal box mounted on the motor
- inlet protection guard
- Integrated motor protection
- safe and maintenance free operation
- installation in any mounting position

Axial fans of the range AW EC sileo are driven by high efficient, energy saving EC-external rotor motors. The power electronics is integrated in the motor casing/terminal box. All motors are suitable to be used for 50/60Hz. The input voltage for single phase units can vary between 200 and 240V. Speed control by a 0-10V signal. The AW EC sileo range is equipped with a square wall plate made from galvanized steel and is completely powder coated in black (RAL9005). The protection guard at the inlet side is powder coated in black. The axial impeller is manufactured from fiber-reinforced Plastic (PP) with metal core. The impeller is balanced dynamically in two levels in accordance with DIN ISO 1940 part 1, quality G6.3.



Technical parameters

Norminal data		
Voltage (nominal)	230	V
Frequency	50; 60	Hz
Phase(s)	1~	
Input power	348	W
Input current	2.21	A
Impeller speed	1,306	r.p.m.
Air flow	max ; 6,538;	m³/h
Air flow at max. efficiency	4,005	m³/h
Specific ratio	1,000000	
Temperature of transported air	max 60	°C
Max temperature of transported air, when speed controlled	60	°C
Sound data		
Sound pressure level at 1m	60	dB(A)

Protection/Classification

Enclosure class, motor	IP54
Insulation class	B

Data according to ErP

ErP ready	ErP 2018
Measurement category	A
Efficiency grade	51.9 η_{actual}
Efficiency, static	42.6 η_{statA}
Target efficiency grade ErP2013	36 $\eta_{\text{target2013}}$
Target efficiency grade ErP2015	40 $\eta_{\text{target2015}}$

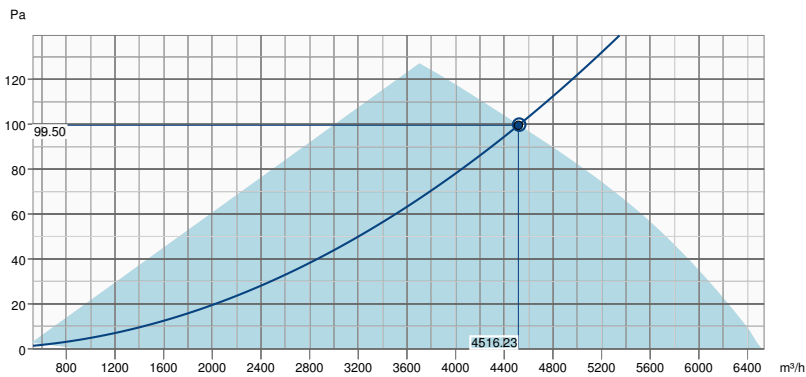
Dimensions and weights

Weight	10.5 kg
--------	---------

Others

Color name, casing	Black
Motor type	EC

Performance curve

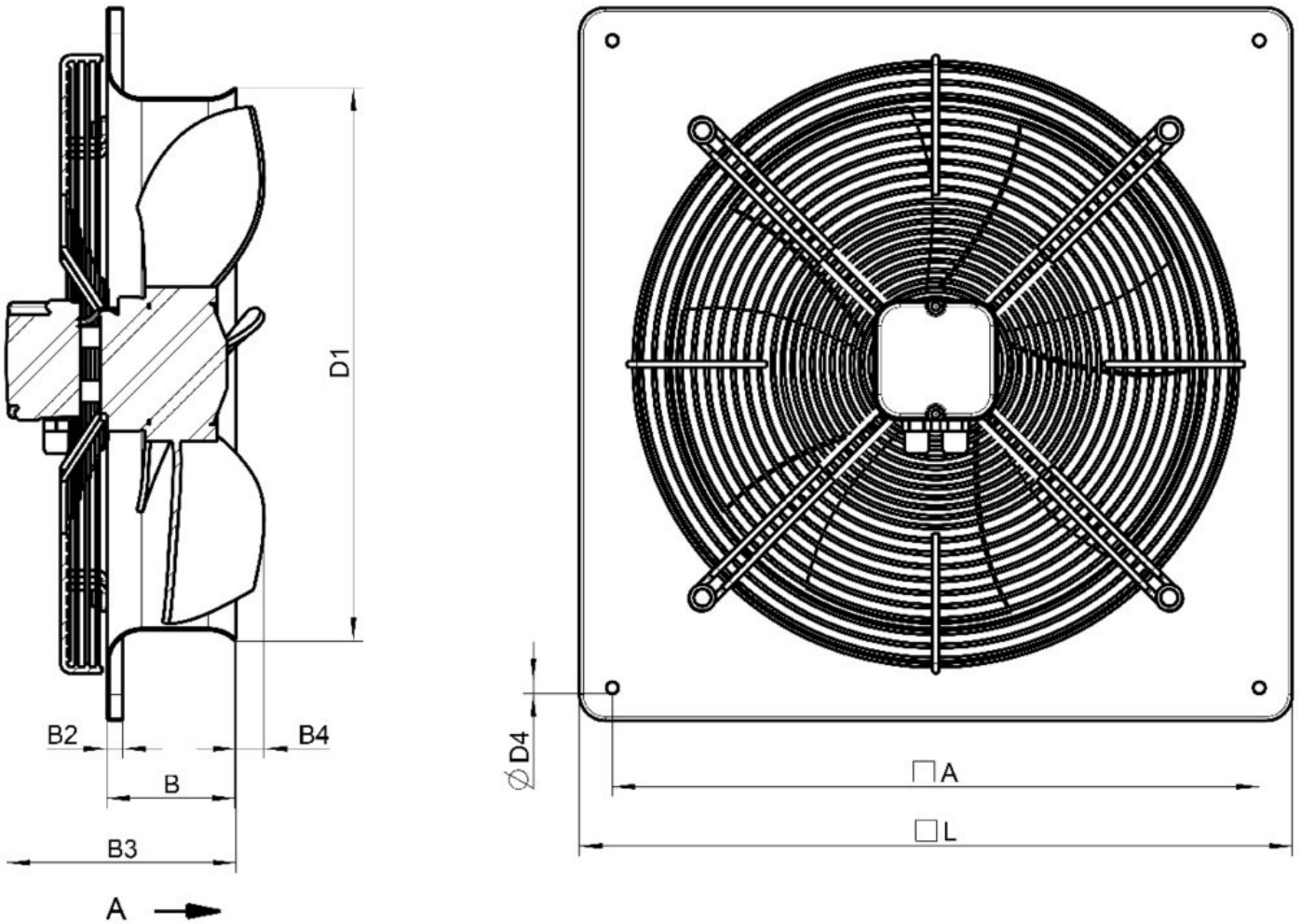


Hydraulic data

Required air flow	4523 m³/h
Required static pressure	100 Pa
Working air flow	4516 m³/h
Working static pressure	100 Pa
Air density	1.204 kg/m³
Power	339.2 W
Fan control - RPM	1310 rpm
Current	2.15 A
SFP	0.270 kW/m³/s
Control voltage	230.0 V
Supply voltage	230 V

Sound power level		63	125	250	500	1k	2k	4k	8k	Total
Inlet	dB(A)	49	52	55	60	63	61	58	51	67

Dimension

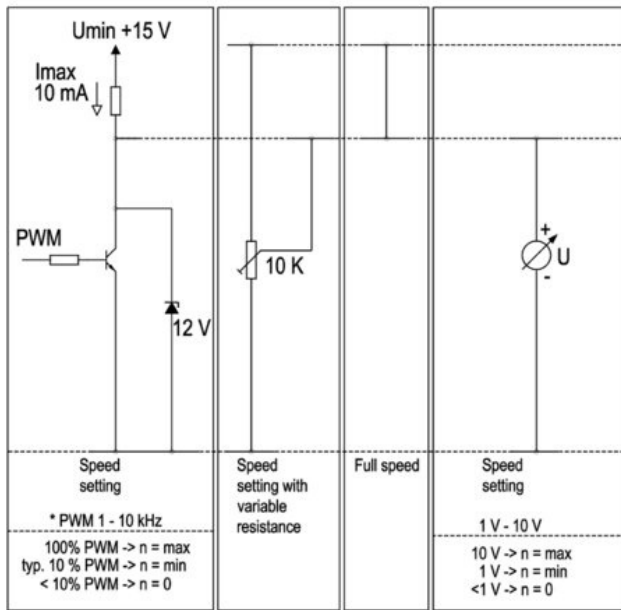


	□A	B	B2	B3	B4	ØD1	ØD4	□L
AW 450 EC sileo	535	100	14	209	-	468	11	576

Wiring

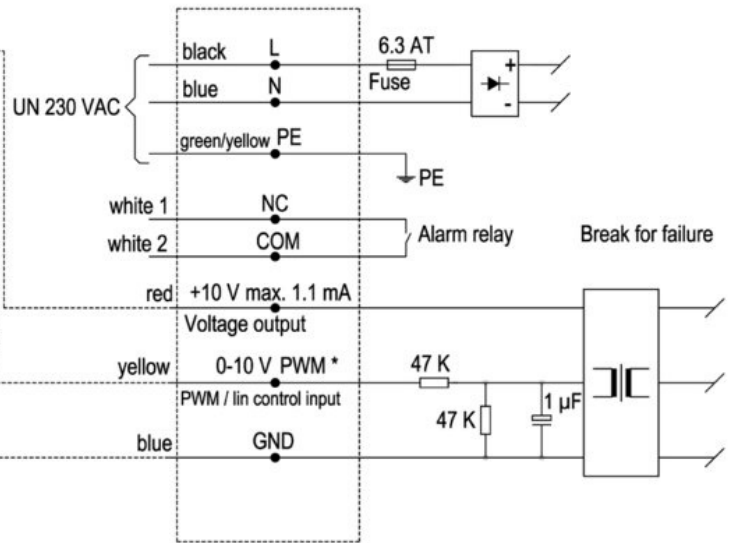
Customer circuit

Notes on various control possibilities and their applications



Connection

Fan / motor



Ecodesign

Ecodesign 327	
Manufacturer	Systemair GmbH, Seehöfer Str. 45, DE-97944 Boxberg, Amtsgericht (court of registration) Mannheim, HRB 360437
Type	AW 450 EC
Year of manufacture	See name plate of the fan
Air flow qv	4,005 m ³ /h
Efficiency category	static
Efficiency grade N	51.9
Efficiency grade target N	40
Speed (rpm) n	1,305 r.p.m.
Pressure increase total psf	118 Pa
Power consumption Ped	340 W
Overall efficiency	42.6 %
Overall efficiency target	30.7 %
Variable speed drive	Yes
Additional components	Components used to calculate the energy efficiency that are not apparent from the measurement category are detailed in the CE declaration.
Maintenance	Information on installation, operation and maintenance is provided in the operating instructions.
Recycling / disposal	Information on recycling and disposal is provided in the operating instructions.

Accessories

- EC-Basic-CO2 and temperature (24808)
- EC-Basic-T temperature (24805)
- EC-Vent control board (3115)
- MTP 10, 10K, Speed control (32731)
- MTV-1/010 Controller 0..10V+ (30650)
- S-5EC/FRQ (76738)
- VK-45 Louvre shutter (5645)
- EC-Basic-H humidity (24807)
- EC-Basic-U universal 0-10V (24806)
- EC-Vent Room Unit (3018)
- MTP 20, on/off, 3-step (310220)
- REV-5POL/05 EC,3~,REV-switch (35757)
- SG AW-D BGr 045/042, RAL 9005 (30602)
- VK-45 Louvre shutter (87693)

Documents

- IMO_AW_450_EC_SILEO_35863_DE,EN.PDF
- MANUAL_AW__AR_EBM_EN_003-MIN.PDF
- EU_DECLARATION_OF_CONFORMITY_AXIAL_FANS_EN_004.PDF
- installation_variations_2_AR_AW.pdf