

## AW 560D EC sileo Axial fan

Axial wall fan

Item Number: 35867

Variant: 400V 3~ 50/60Hz

- 100% speed controllable
- electric connection via terminal box mounted on the motor
- inlet protection guard
- Integrated motor protection
- safe and maintenance free operation
- installation in any mounting position

Axial fans of the range AW EC sileo are driven by high efficient, energy saving EC-external rotor motors. The power electronics is integrated in the motor casing/terminal box. All motors are suitable to be used for 50/60Hz. The input voltage for three phase units can vary between 380 and 480V. Speed control by a 0-10V signal. The AW EC sileo range is equipped with a square wall plate made from galvanized steel and is completely powder coated in black (RAL9005). The protection guard at the inlet side is powder coated in black. The axial impeller is manufactured from fiber-reinforced Plastic (PP) with metal core. The impeller is balanced dynamically in two levels in accordance with DIN ISO 1940 part 1, quality G6.3.



### Technical parameters

Nominal data		
Voltage (Nominal)	400	V
Frequency	50; 60	Hz
Phase(s)	3~	
Input power	951	W
Input current	1.52	A
Impeller speed	1,362	r.p.m.
Air flow	max 3.177	m³/s
Air flow at max. efficiency	2.1917	m³/s
Specific ratio	1,000000	
Temperature of transported air	max 60	°C
Max temperature of transported air, when speed controlled	60	°C
Sound data		
Sound pressure level at 1m	70	dB(A)

**Protection/Classification**

Enclosure class, motor	IP54
Insulation class	B

**Data according to ErP**

ErP ready	ErP 2018
Measurement category	A
Efficiency grade	49.4 $\eta_{\text{actual}}$
Efficiency, static	42.9 $\eta_{\text{statA}}$
Target efficiency grade ErP2013	36 $\eta_{\text{target2013}}$
Target efficiency grade ErP2015	40 $\eta_{\text{target2015}}$

**Dimensions and weights**

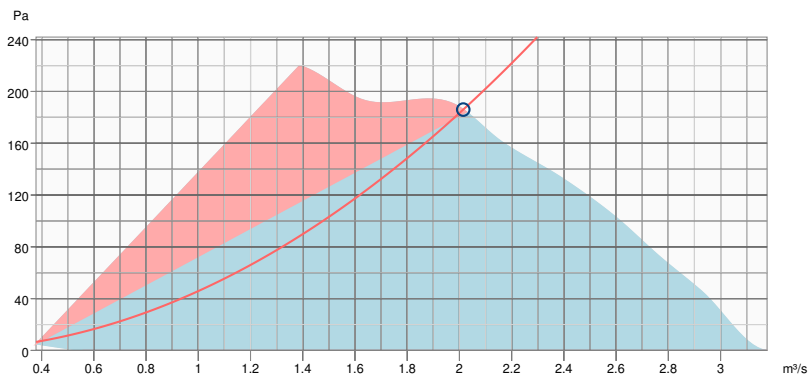
Weight	21.8 kg
--------	---------

**Others**

Color name, casing	Black
Motor type	EC

## Performance

### Performance curve

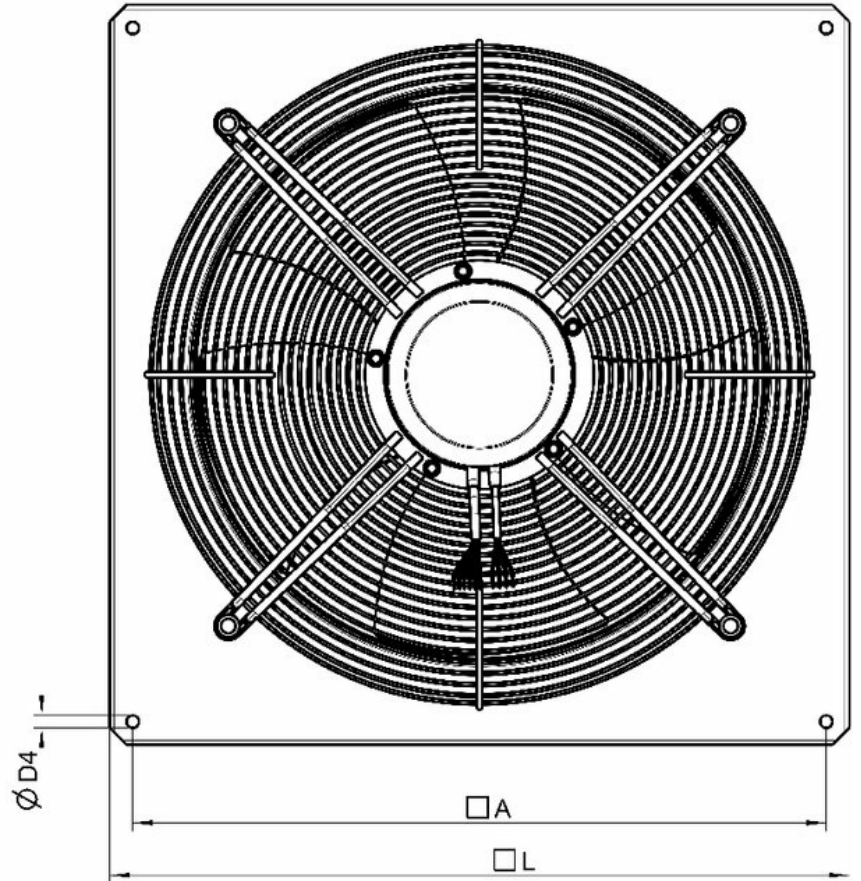
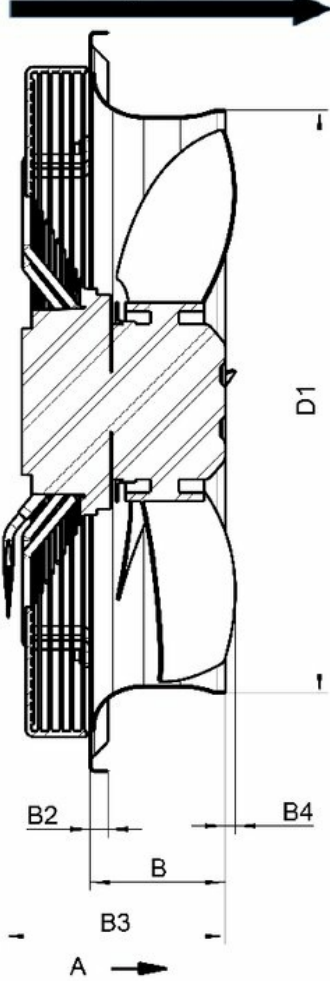


#### Hydraulic data

Required air flow	2.01 m³/s
Required static pressure	186 Pa
Working air flow	-
Working static pressure	-
Air density	1.204 kg/m³
Power	-
Fan control - RPM	-
Current	-
SFP	-
Control voltage	-
Supply voltage	-

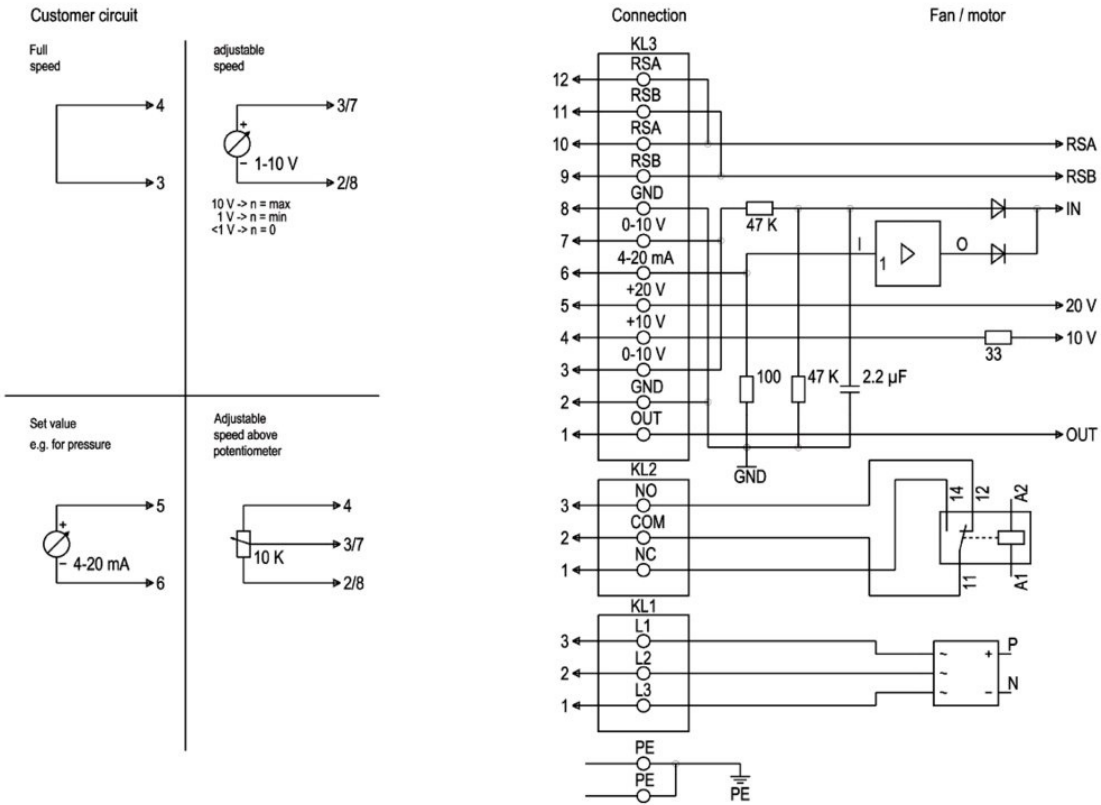
## Dimension

Luftrichtung / Air direction



	□A	B	B2	B3	B4	ØD1	ØD4	□L
AW 560D EC sileo	675	135	16	208	6	576	11	725

# Wiring



No.	Pin	Signal	Function / assignment
PE	-	PE	Protective earth connection
KL1	1, 2	N, L	Supply voltage, 50/60 Hz
KL2	1	NC	Floating status message contact, break for failure
KL2	2	COM	Floating status message contact, changeover contact, common connection (2 A, max. 250 VAC, min. 10 mA, AC1)
KL2	3	NO	Floating status message contact, normally open, make for failure
KL3	1	OUT	Analogue output, 0-10 VDC, max. 3 mA, SELV, Output of the current motor level control coefficient: 1 V corresponds to 10% level control coefficient, 10 V correspond to 100% level control coefficient.
KL3	2, 8	GND	Reference mass for control interface, SELV
KL3	3, 7	0-10 V	Use control / actual value input 0-10 VDC, impedance 100 kΩ only as alternative to 4-20 mA input, SELV
KL3	4	+10 V	Voltage output 10 VDC (+/- 3%), max. 10 mA, Supply voltage for ext. devices (e.g. potentiometer), SELV
KL3	5	+20 V	Voltage output 20 VDC (+25%/-10%), max. 50 mA, Supply voltage for ext. devices (e.g. sensors), SELV
KL3	6	4-20 mA	Use control / actual value input 4-20 mA, impedance 100 Ω, only as alternative to 0-10 V input, SELV
KL3	9, 11	RSB	RS485 interface for MODBUS, RSB
KL3	10, 12	RSA	RS485 interface for MODBUS, RSA

## Ecodesign

Ecodesign 327	
Manufacturer	Systemair GmbH, Seehöfer Str. 45, DE-97944 Boxberg, Amtsgericht (court of registration) Mannheim, HRB 560437
Type	AW 560D EC
Year of manufacture	See name plate of the fan
Air flow qv	2.1917 m³/s
Efficiency category	static
Efficiency grade N	49.4
Efficiency grade target N	40
Speed (rpm) n	1,360 r.p.m.
Pressure increase total psf	168 Pa
Power consumption Ped	930 W
Overall efficiency	42.9 %
Overall efficiency target	33.5 %
Variable speed drive	Yes
Additional components	Components used to calculate the energy efficiency that are not apparent from the measurement category are detailed in the CE declaration.
Maintenance	Information on installation, operation and maintenance is provided in the operating instructions.
Recycling / disposal	Information on recycling and disposal is provided in the operating instructions.

## Accessories

- EC-Basic-CO2 and temperature (24808)
- EC-Basic-T temperature (24805)
- EC-Vent control board (3115)
- MTP 10, 10K, Speed control (32731)
- MTV-1/010 Controller 0..10V+ (30650)
- EC-Basic-H humidity (24807)
- EC-Basic-U universal 0-10V (24806)
- EC-Vent Room Unit (3018)
- MTP 20, on/off, 3-step (310220)
- S-5EC/FRQ (76738)

## Documents

- IMO\_AW\_560D\_EC\_SILEO\_35867\_DE,EN.PDF
- MANUAL\_AW\_\_AR\_EBM\_EN\_003-MIN.PDF
- UKCA-declaration of conformity\_AXC\_001
- installation variations\_2\_AR\_AW.pdf