

AW 710DS sileo Axial fan

Item Number: 34141

Variant: 400V 3~ 50Hz - D (Delta)

Speed controllable by voltage reduction, plus option of 2-step operation by D/Y switching for 400V versions.

Inlet protection guard.

Safe and maintenance free operation.

Can be installed in any mounting position.

Electric connection via terminal box mounted on the motor.

Single phase fans are supplied with capacitor.

Axial fans of the AW sileo range do have a bionic shape of the fan blade, and are driven by external rotor motors. The AW range is equipped with a square wall plate, galvanized steel and powder coated in black (RAL9005). The protection guard at the inlet side is powder coated in black. The axial impeller is manufactured from pressure die cast aluminum and also painted in black (RAL9005). The impeller is balanced dynamically in two levels in accordance with DIN ISO 1940 part 1, quality G6.3.

The motors are equipped with thermal contacts for motor protection, with leads to be connected to a motor protection unit.



Technical parameters

Norminal data		
Voltage (nominal)	400	V
Frequency	50	Hz
Phase(s)	3~	
Motor circuit connection	D	
Input power	1,000	W
Input current	2.5	A
Impeller speed	920	r.p.m.
Air flow	max 14,594	m³/h
Air flow at max. efficiency	9,986	m³/h
Specific ratio	1,000000	
Temperature of transported air	max 70	°C
Max temperature of transported air, when speed controlled	70	°C

Sound data

Sound pressure level at 1m	66 dB(A)
----------------------------	----------

Protection/Classification

Enclosure class, motor	IP54
------------------------	------

Insulation class	F
------------------	---

Data according to ErP

ErP ready	ErP 2018
-----------	----------

Measurement category	A
----------------------	---

Efficiency grade	44 η_{actual}
------------------	--------------------

Efficiency, static	37.4 η_{statA}
--------------------	---------------------

Target efficiency grade ErP2013	36 $\eta_{target2013}$
---------------------------------	------------------------

Target efficiency grade ErP2015	40 $\eta_{target2015}$
---------------------------------	------------------------

Dimensions and weights

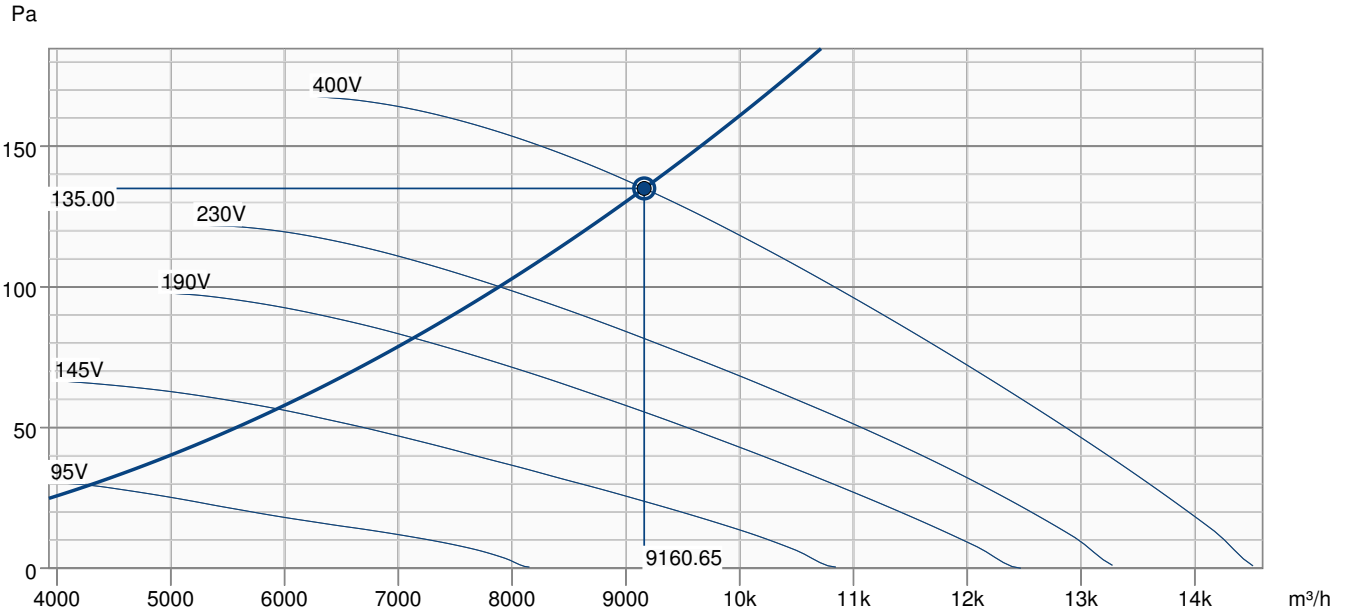
Weight	34.2 kg
--------	---------

Others

Color name, casing	Black
--------------------	-------

Motor type	AC
------------	----

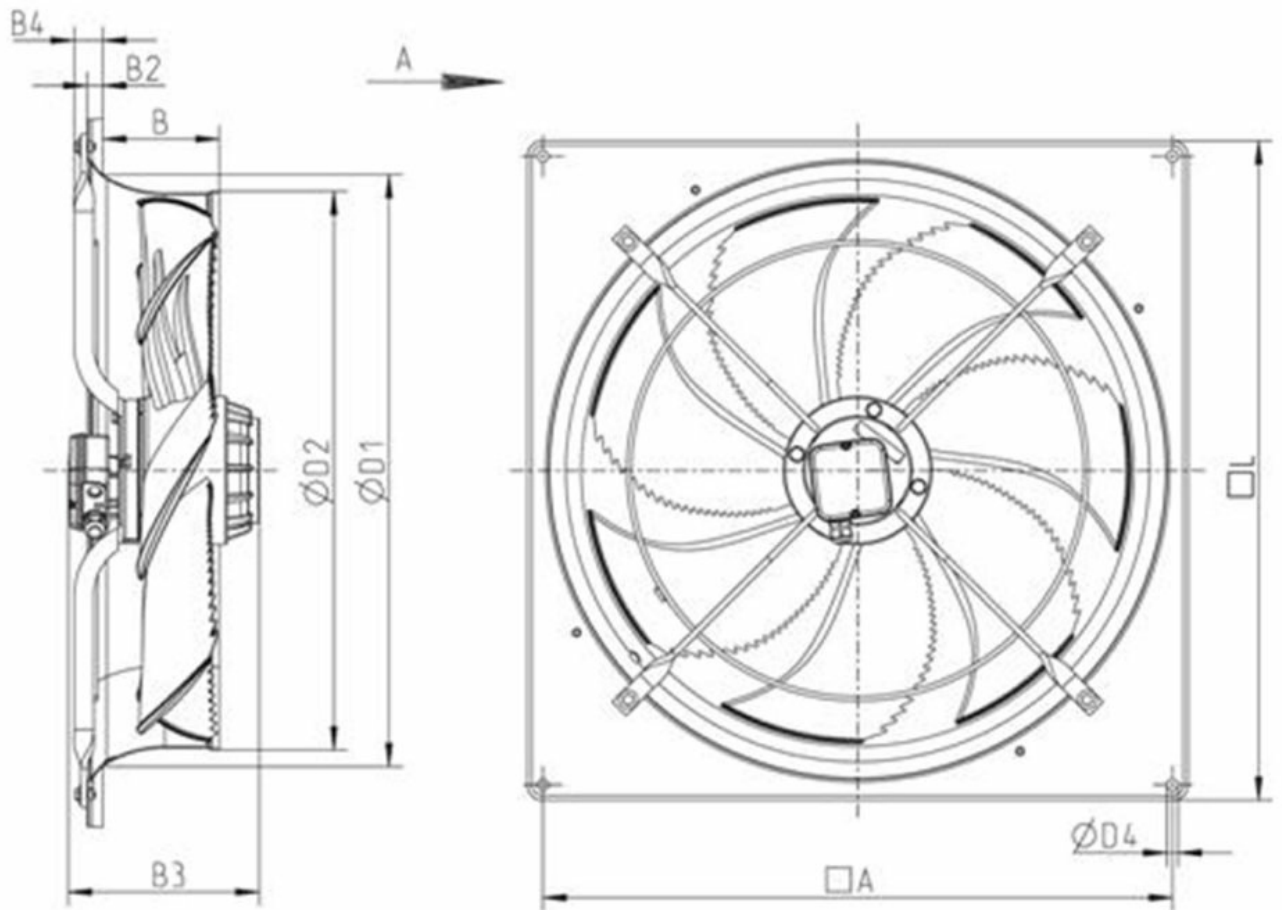
Performance curve



Hydraulic data

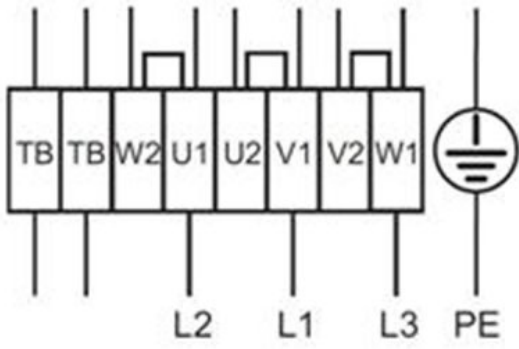
Required air flow	9161 m³/h
Required static pressure	135 Pa
Working air flow	9161 m³/h
Working static pressure	135 Pa
Air density	1.204 kg/m³
Power	933.3 W
Fan control - RPM	922 rpm
Current	2.41 A
SFP	0.367 kW/m³/s
Control voltage	400.0 V
Supply voltage	400 V

Dimension



	□A	B	B2	B3	B4	ØD1	ØD2	ØD4	□L
AW 710	810	150	20	272	37	763	720	14.5	850

Wiring

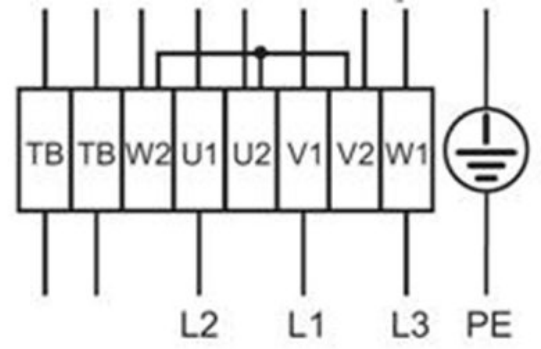


High speed

Low Speed

Δ -Connection

Y-Connection



Ecodesign

Ecodesign 327	
Manufacturer	Systemair GmbH, Seehöfer Str. 45, DE-97944 Boxberg, Amtsgericht (court of registration) Mannheim, HRB 560437
Type	AW 710DS
Year of manufacture	See name plate of the fan
Air flow qv	9,988 m ³ /h
Efficiency category	static
Efficiency grade N	44
Efficiency grade target N	40
Speed (rpm) n	925 r.p.m.
Pressure increase total psf	119 Pa
Power consumption Ped	910 W
Overall efficiency	37.4 %
Variable speed drive	No
Additional components	Components used to calculate the energy efficiency that are not apparent from the measurement category are detailed in the CE declaration.
Maintenance	Information on installation, operation and maintenance is provided in the operating instructions.
Recycling / disposal	Information on recycling and disposal is provided in the operating instructions.

Accessories

- REV-5POL/07 ON/OFF (33980)
- RTRDU 4 Speed contr. Systemair (5946)
- SG AW 710 Guard grill (GFC) (3395)
- VK-71 Louvre shutter (5653)
- RTRD 3 Speed control IP54 (32594)
- S-DT2SKT Two speed switch Y/D (2697)
- SG AW-D BGr 071, RAL 9005 (30606)

Documents

- L-BAL-001-SYSTEMAIR.PDF
- EU_DECLARATION_OF_CONFORMITY_AXIAL_FANS_EN_003.PDF
- installation variations_1_AR_AW.pdf

Specification

Axial fans of the AW sileo range do have a bionic shape of the fan blade, and are driven by external rotor motors. The AW range is equipped with a square wall plate, galvanized steel and powder coated in black (RAL9005). The protection guard at the inlet side is powder coated in black. The axial impeller is manufactured from pressure die cast aluminum and is powder coated in black. The impeller is balanced dynamically in two levels in accordance with DIN ISO 1940 part 1, quality G6.3. The motors are equipped with thermal contacts for motor protection, with leads to be connected to a motor protection unit, for example Systemair unit S-ET.