

## DTV200

Item number: 6261

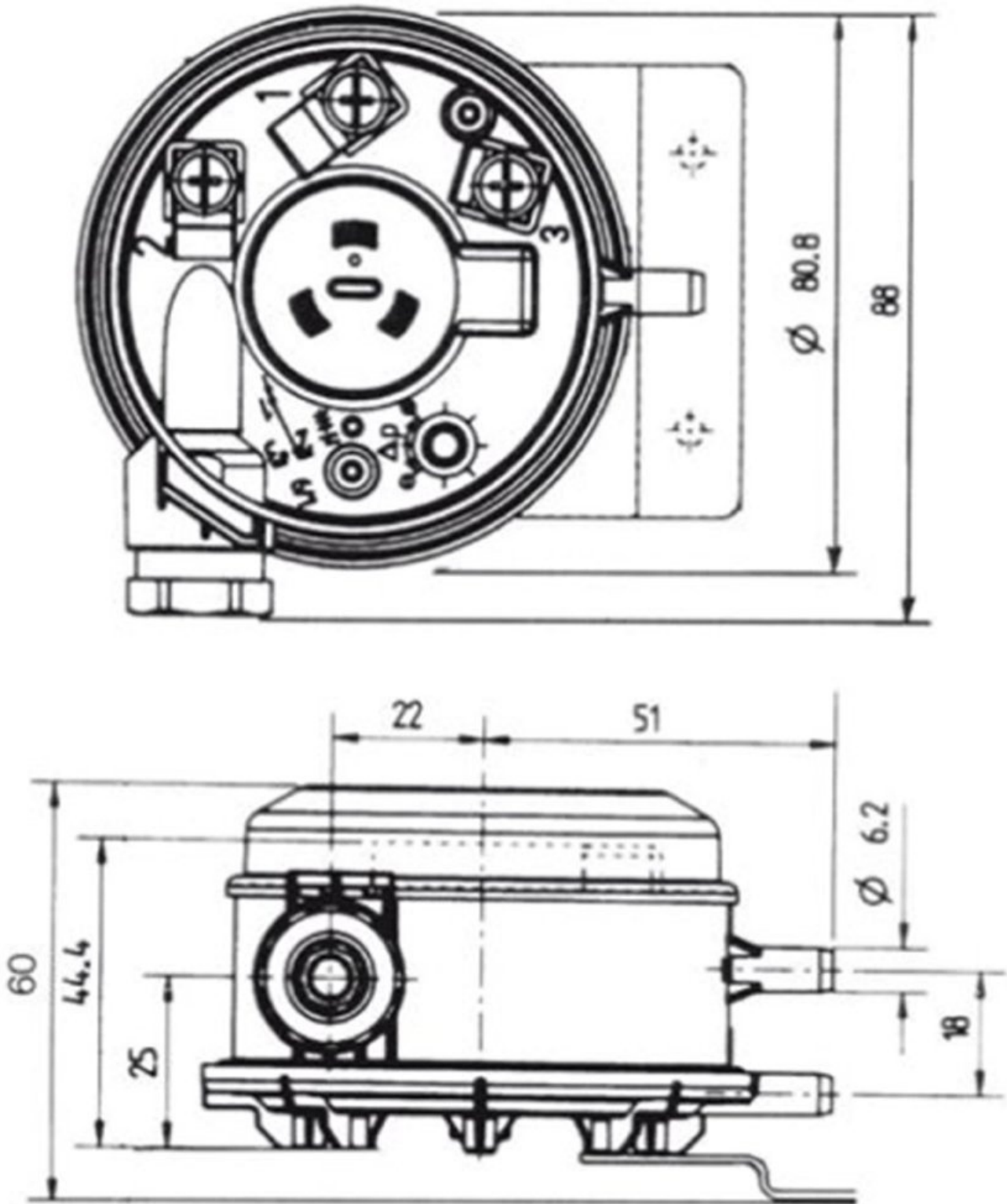
Differential pressure switch for air and non-corrosive gasses. Relay contact data 250 V AC 5 A, change-over.



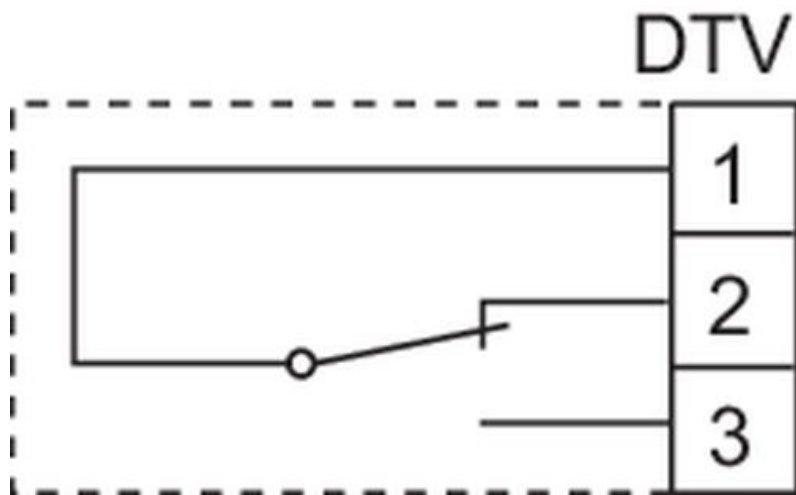
### Technical parameters

Nominal data		
Air temperature		85 °C
Protection/Classification		
Enclosure class		IP54
Controller and Sensors		
Switching differential pressure	15	Pa
Pressure range	20 to 300	Pa
Switching capacity	250V, 5A (0,8A)	
Dimensions and weights		
Depth	60	mm
Height	81	mm
Width	88	mm
Weight	0.2	kg

### Dimension



## Wiring



## Documents

- DTV\_CE\_GB.PDF