

EC-Basic-T temperature

Temperature controller 100-240VAC, 50/60 Hz

Item Number: [24805](#)

- Simple to install, connect and set up
- 50/60HZ mains option
- Can be used with all 220V single phase and 380V three phase EC fans
- Built in sensor
- Conforms to CE standards EN 60730-1, EN 61000-6-3, EN 61000-6-1
- Demand control made simple

The controller compares room temperature with an adjustable set point and regulates a 0..10 V output signal applied to a ventilator with a PI algorithm in direct or reverse action based on jumper JP1 setting:

JP1 closed 1-2 = heating (reverse action)

JP1 closed 2-3 = cooling (direct action)

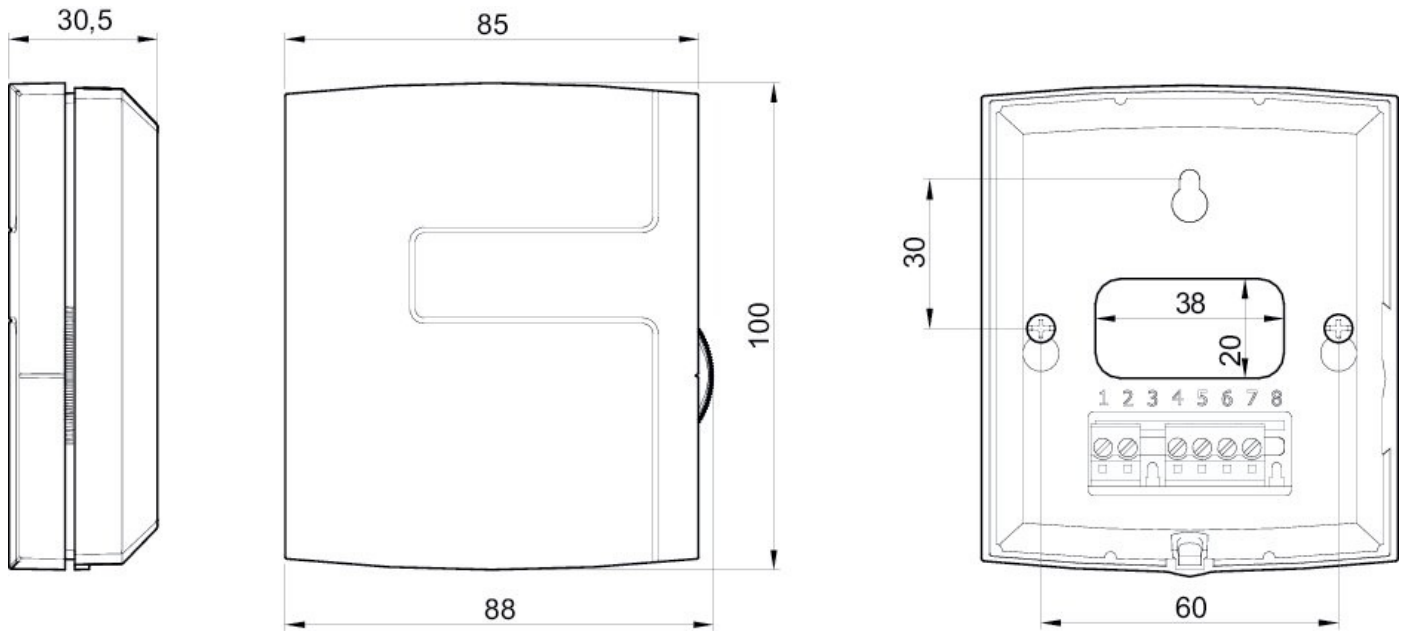
The range for knob set point is from 5 to 30°C



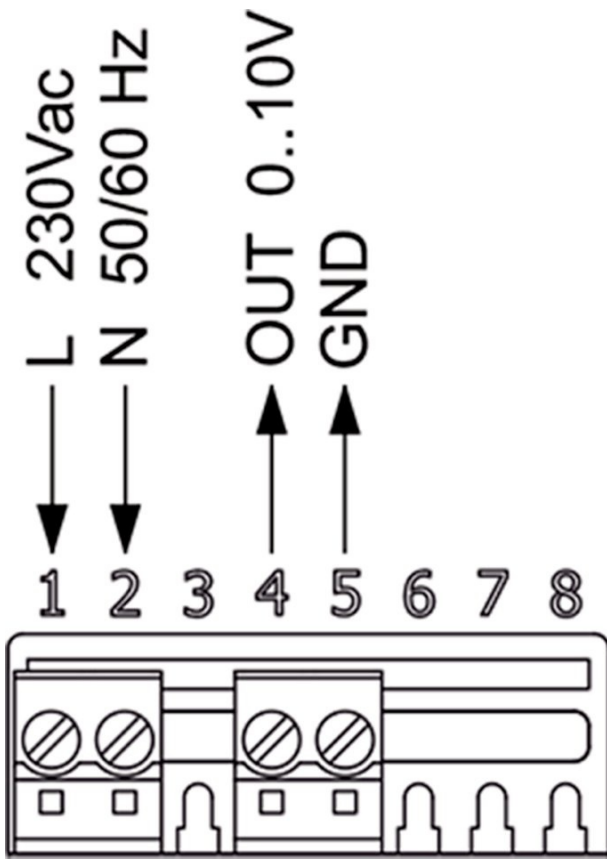
Technical parameters

| Nominal data | | |
|---------------------------|------------|----|
| Voltage (Nominal) | 230 | V |
| Rated voltage | 110 to 240 | V |
| Frequency | 50; 60 | Hz |
| Input power | 0 | W |
| Temperature | -20 to 50 | °C |
| Temperature setpoint | 5 to 30 | °C |
| Protection/Classification | | |
| Enclosure class | IP30 | |
| Dimensions and weights | | |
| Weight | 0.135 | kg |

Dimension



Wiring



Documents

- IMO_EC-BASIC_EN_SV_REV3.PDF
- 24805_Declaration of Conformity_EN.pdf