

ES9G Window Fan Systemair

Systemair size 9 window fan

Item Number: [16307](#)

Variant: 230V 1~ 50Hz

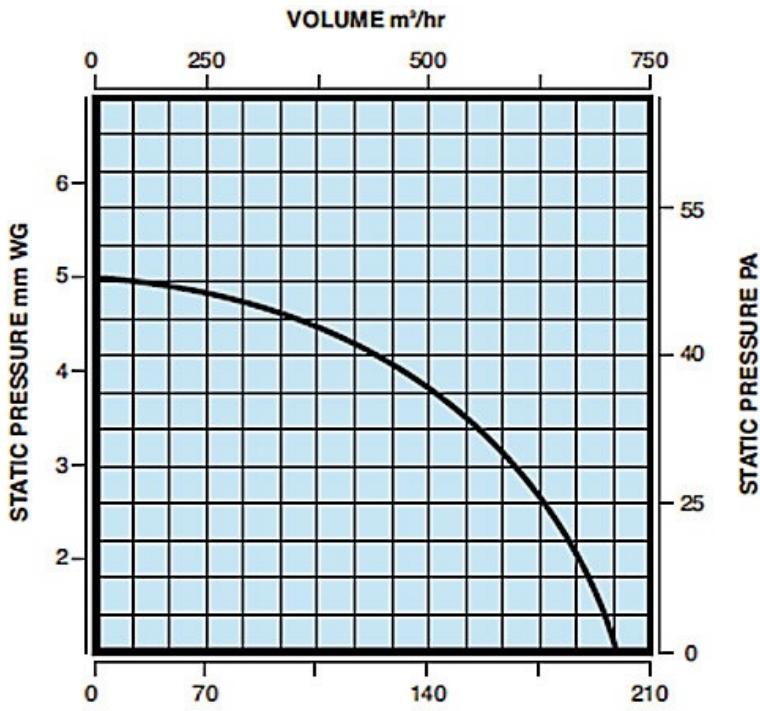
The Systemair range of commercial fans are ideal for offices, restaurants and public houses to comply with building regulations on ventilation. The range includes 6", 9" and 12" models, all fully speed controllable, the 9" and 12" also being reversible for supply/extract applications. Fans are complete with thermo-activated shutters to prevent draughts and save on costs. Different coloured grilles are available in white, terracotta and brown - standard colour is pale grey. The units are manufactured using high ABS thermoplastics for strength and durability, aesthetics and easy cleaning. The panel model is designed for refurbishment projects as they will fit most leading commercial wall liners. All products are BEAB approved and carry the CE marking.



Technical parameters

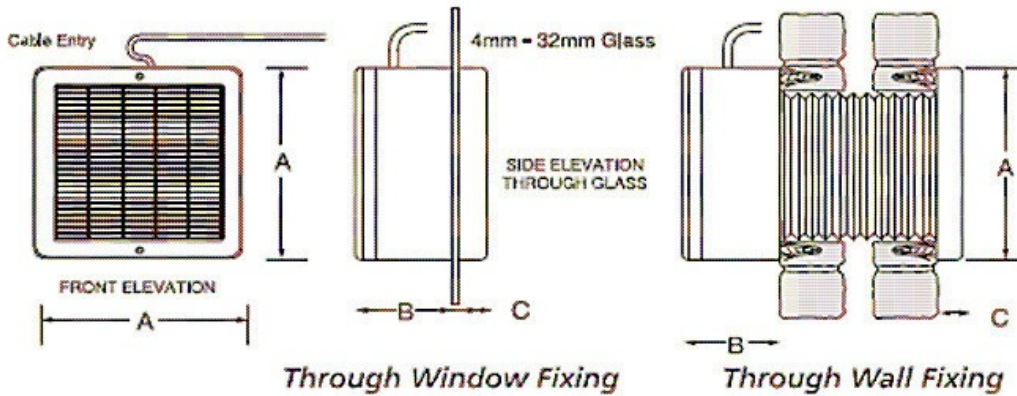
Nominal data		
Voltage (nominal)	230	V
Frequency	50	Hz
Phase(s)	1~	
Input power	80	W
Maximum current	0.4	A
Air flow	max 0.185	m ³ /s
Sound data		
Sound pressure level at 3m (20m ² Sabin)	53	dB(A)
Dimensions and weights		
Weight	0	kg
Others		
Motor type	AC	

Performances



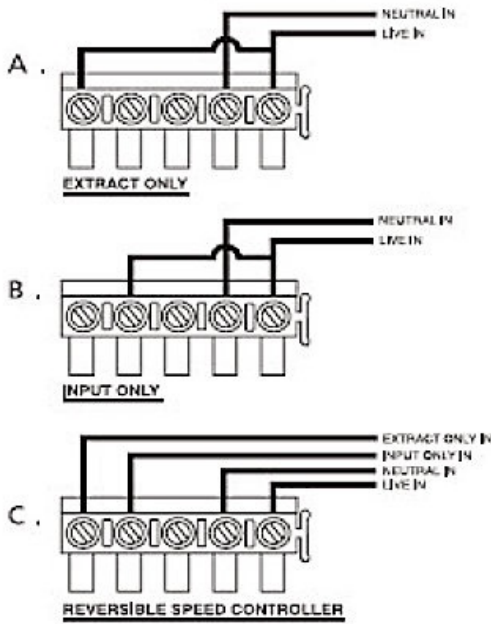
Dimension

Product	A	B	C
ES6G	205	105	25
ES9G	286	125	25
ES12G	362	145	25



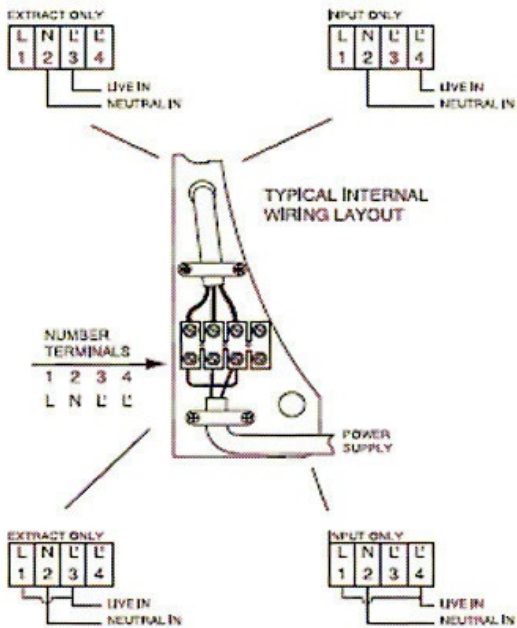
Wiring

PLUG WIRING DIAGRAM

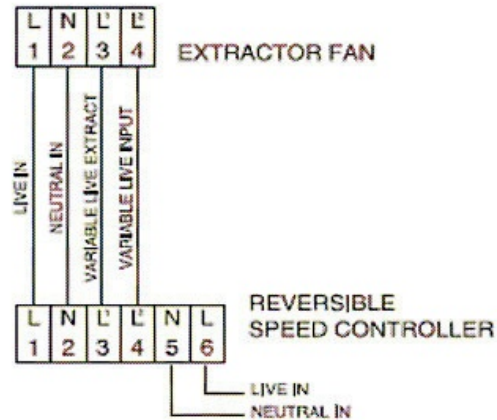


WIRING DIAGRAM

- DIAGRAM A EXTRACT ONLY**
ALL MODELS ARE PRE WIRED IN FACTORY TO EXTRACT ONLY. WHEN THE CABLE FROM THE SOCKET IS CONNECTED TO A FUSED SPUR OR PLUG SOCKET.
- DIAGRAM B INPUT ONLY**
TO CHANGE THE AIRFLOW DIRECTION REMOVE LINK FROM TERMINAL 1 IN THE PLUG AND CONNECT INTO TERMINAL 2
- DIAGRAM C REVERSIBLE SPEED CONTROLLER**
FOR THE COM300 MODEL USING THE VARIABLE REVERSIBLE SPEED CONTROLLER
IMPORTANT
WHEN FITTING A SPEED CONTROLLER REMOVE BRIDGE WIRE FROM TERMINAL BLOCK
NOTE
THIS FAN IS DOUBLE INSULATOR, AND DOES NOT REQUIRE AN EARTH, THE EARTH TERMINAL IS PROVIDED FOR SPECIAL APPLICATIONS ONLY, ALWAYS SWITCH OFF MAINS, IF IN DOUBT CONTACT A QUALIFIED ELECTRICIAN.



Reversible speed controller using the variable, reversible speed controller.



Accessories

- EAC9/12 Controller Systemair (16310)

Documents

- OM Commercial Window Model.pdf