

FFR 125 Filter cassette

Item number: 1768
 Variant: Filter G3

Filter cassette for circular ducts

The FFR filter cassette is designed for bag filters of the G3, M5 or F7 standard filter types. The cassette is manufactured from galvanised sheet steel with rubber-sealed circular connections and locks with toggle fasteners.

The cassette is fitted with connections for connecting to a pressure sensor. The filters for FFR are BFR bag filters. Available in the G3, M5 or F7 filter classes and are ordered separately and supplied individually. The recommended final pressure drop is 170 Pa for the G3 filter, 200 Pa for the M5 filter and 250 Pa for the F7 filter.

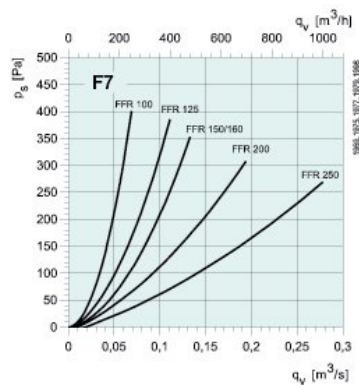
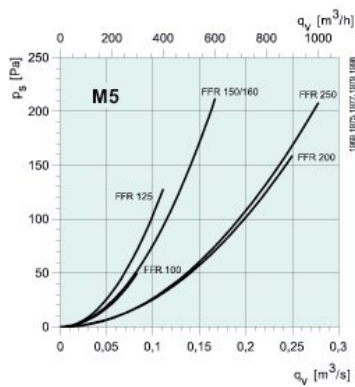
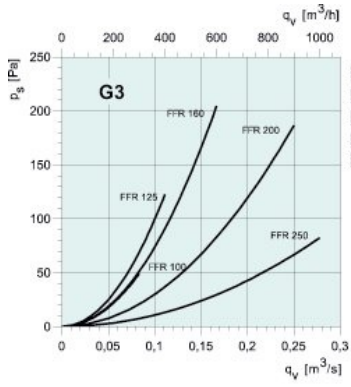


Technical parameters

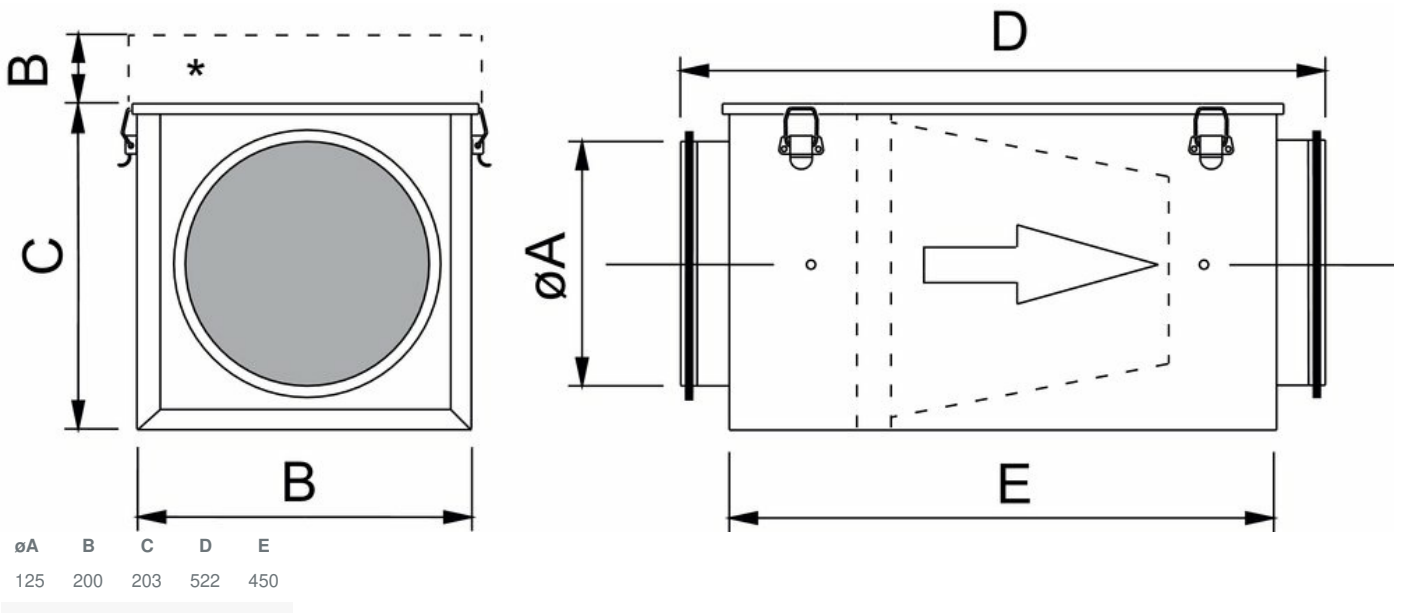
Dimensions and weights	
Duct dimension; Circular, inlet	125 mm
Duct dimension; Circular, outlet	125 mm
Weight	3.5 kg
Others	
Duct connection type	Circular

Performances

Pressure drop



Dimension



Accessories

- DTV500A (96807)
- BFR 100-160 Coarse 50% Filter (5246)
- BFR 100-160 Filter Coarse 70% (5239)
- Pressure meter 7111-UW (993304)
- MFRO Manometer (6688)
- BFR 100-160 ePM1 60% Filter (5222)
- Inclined tube manometer MV600 (333484)

Documents

- FFR_FGR_FFK_FFS_Operating_maintenance.pdf
- BVD FILTERKASSETT FFK FFR FGR ID7 .PDF