

GFL-AR 200 counter flange

for air handling units

Item Number: 308868

Counterflange for axial fans of type AR. _x000D_
x000D

The counterflange GFL-AR is manufactured from galvanized sheet steel.



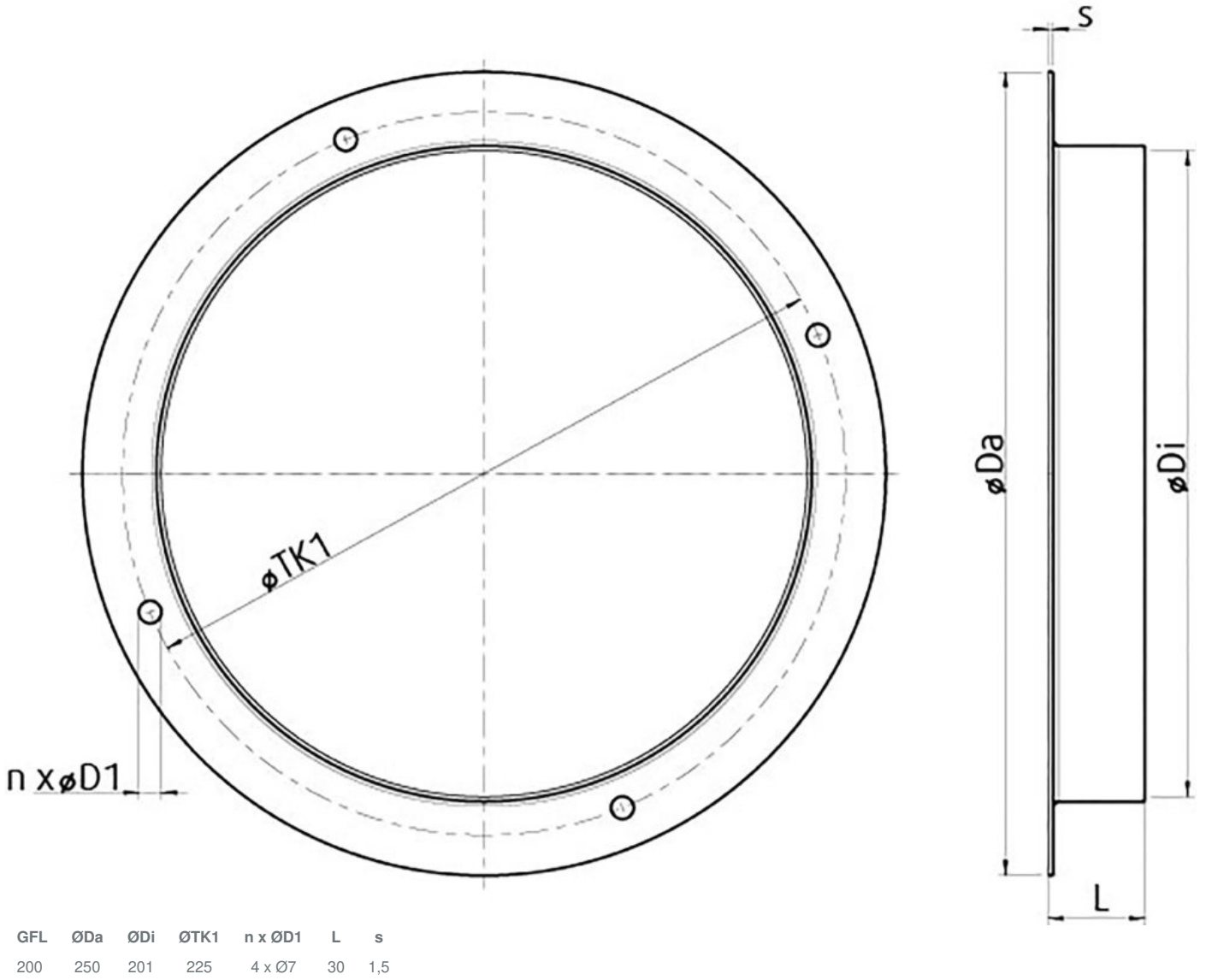
Technical parameters

Dimensions and weights

Weight

0.4 kg

Dimension



Documents

- GFL-EG-Konformitätserklärung_de-en.pdf

Specification