

KVK DUO 315L**

Centrifugal circular duct fan

Item number: 93297

Variant: 230V 1~ 50Hz

- Speed-controllable
- Integral thermal contacts
- Low noise level
- Twin fan

KVK DUO models have double inlet centrifugal fans with forward-curved impellers and maintenance-free external rotor motors. To protect the motors from overheating the fans have integral thermal contacts with leads for connection to a motor protection device.

The fans are easy to connect to spiral ducts using FK mounting clamps.

The KVK DUO models are manufactured from galvanised sheet steel and are thermally and acoustically insulated with a 50 mm layer of mineral wool. Internal surfaces are protected with perforated galvanised sheet steel.



Technical parameters

Norminal data		
Voltage (nominal)	230	V
Frequency	50	Hz
Phase(s)	1~	
Input power	448	W
Input current	1.96	A
Impeller speed	1,072	r.p.m.
Air flow	max ; 2,315;	m³/h
Capacitance of capacitor	14	µF
Temperature of transported air	max 49	°C
Max temperature of transported air, when speed controlled	49	°C

Sound dataSound pressure level at 3m (20m² Sabin)

38 dB(A)

Protection/Classification

Enclosure class, motor

IP22

Insulation class

B

Data according to ErP

ErP ready

Not ErP relevant

Dimensions and weights

Weight

68.2 kg

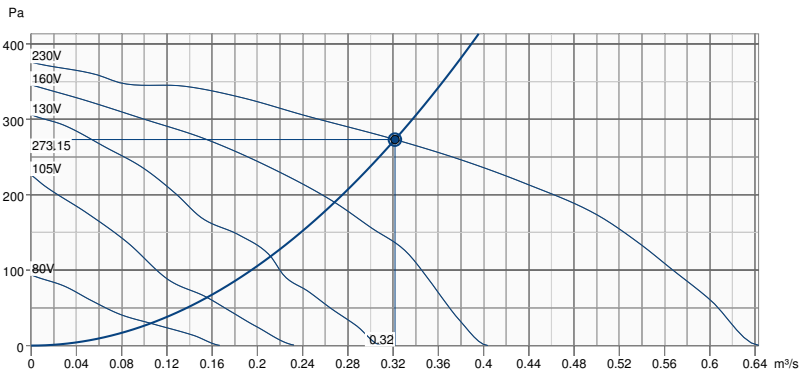
Others

Motor type

AC

Performance

Performance curve

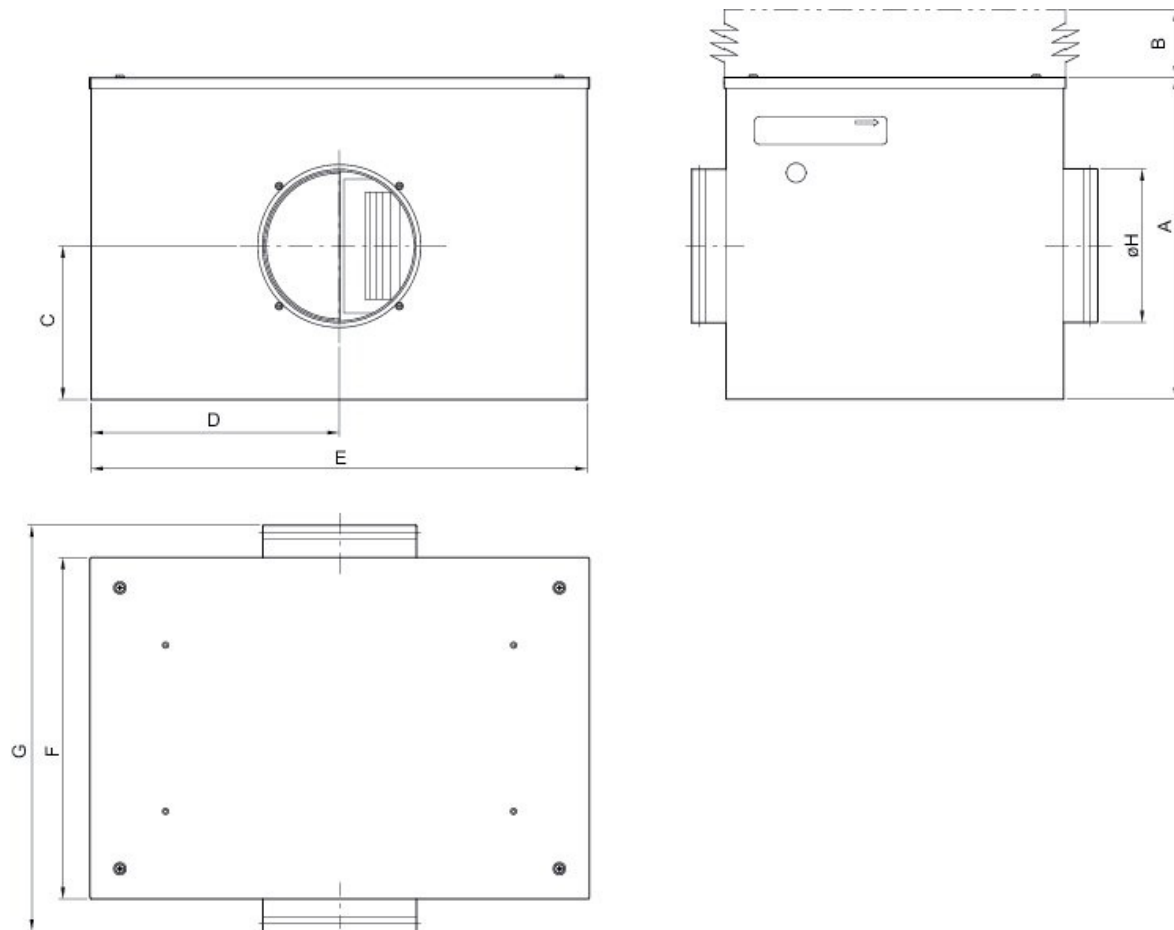


Hydraulic data

Required air flow	0.32 m³/s
Required static pressure	273 Pa
Working air flow	0.32 m³/s
Working static pressure	273 Pa
Air density	1.204 kg/m³
Power	281.6 W
Fan control - RPM	1357 rpm
Current	1.31 A
SFP	0.876 kW/m³/s
Control voltage	230.0 V
Supply voltage	230 V

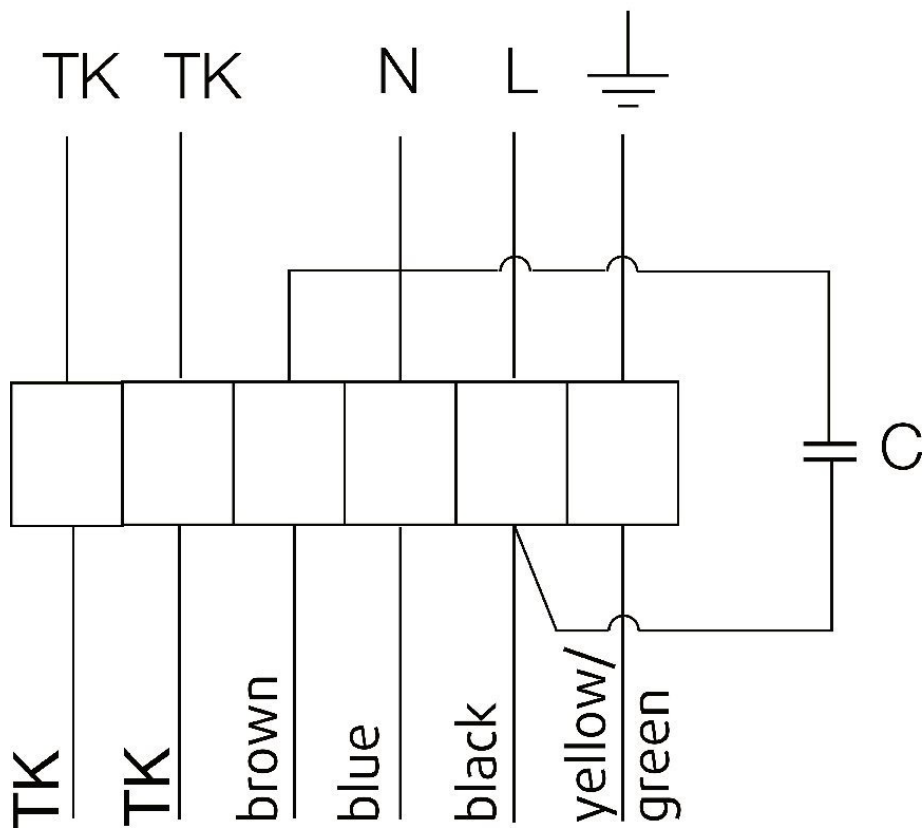
Sound power level		63	125	250	500	1k	2k	4k	8k	Total
Inlet	dB(A)	49	61	52	44	46	44	44	41	62
Outlet	dB(A)	55	66	60	64	67	64	61	56	72
Surrounding	dB(A)	30	44	39	36	35	32	32	25	46
Sound pressure level at 3m (20m² Sabine)	dB(A)	-	-	-	-	-	-	-	-	39
Sound pressure level at 3m free field	dB(A)	-	-	-	-	-	-	-	-	25

Dimension



Wiring

230V 1~



Accessories

- REE 4 Speed control (5317)
- RTRE 3 Speed control (5009)
- VKK-315 Back draft damper (1628)
- Safety switch 2-pole grey (210679)
- CB 315-3,0 230V/1 Duct heater (5386)
- CBM 315-9,0 400V/3 Duct heater (5485)
- CWK 315-3-2,5 Duct cooler,circ (30025)
- FGR 315 Filter cassette (1818)
- LDC 315-900 Silencer (5197)
- VBC 315-2 Water heating batt (5461)
- REU 3 Speed control (5005)
- SG 315 Protection guard (5611)
- CB 315-6,0 400V/2 Duct heater (5374)
- CB 315-12,0 400V/3 Duct heater (5387)
- CB 315-9,0 400V/3 Duct heater (5375)
- CBMF 315-9,0 400V/3 Duct heater (12354)
- FFR 315 Filter cassette (1779)
- FK 315 Fast clamp (1613)
- RSK-315 Back draft damper (5604)
- VBF 315 Water heating battery (1734)

Documents

- 132780_FANS_INSTRUCTIONS_OUTSIDE_EU_A002.PDF