

KVK Slim 200

Centrifugal circular duct fan

Item number: [92143](#)

Variant: 230V 1~ 50Hz



- Slim design, easy to install
- Easy maintenance, service cover
- Low sound level, insulated cover
- High efficiency and low SFP in a real working point
- Speed-controllable
- Simple to install, mounting brackets included
- Integrated motor protection
- Aluzinc casing, C4 corrosion class

KVK Slim is a box fan with circular duct connections. The lid is insulated to keep a low sound level. The fan can be installed in any position. The casing is manufactured from Aluzinc in corrosion class C4. A service cover with screw connection makes it easy to open for service and cleaning.

KVK Slim can be demand controlled via sensors and controllers for CO₂, temperature, humidity, presence indication and VAV or manually speed controlled via a stepless thyristor or a 5-step transformer. To protect the motor from overheating, the fans have integral thermal contacts with manual reset (reset by disconnecting the power). The FK mounting clamp (accessory) facilitates easy installation and removal, and prevents the transfer of vibration to the duct.



Technical parameters

Norminal data		
Voltage (nominal)	230	V
Frequency	50	Hz
Phase(s)	1~	
Input power	108	W
Input current	0.479	A
Impeller speed	2,414	r.p.m.
Air flow	max 760	m ³ /h
Capacitance of capacitor	2.5	μF
Temperature of transported air	max 70	°C
Max temperature of transported air, when speed controlled	70	°C
Sound data		
Sound pressure level at 3m (20m ² Sabin)	48	dB(A)

Protection/Classification

Enclosure class, motor	IP44
Insulation class	F

Data according to ErP

Energy class, Basic unit	E
Energy class, Local demand	C
ErP ready	ErP 2018

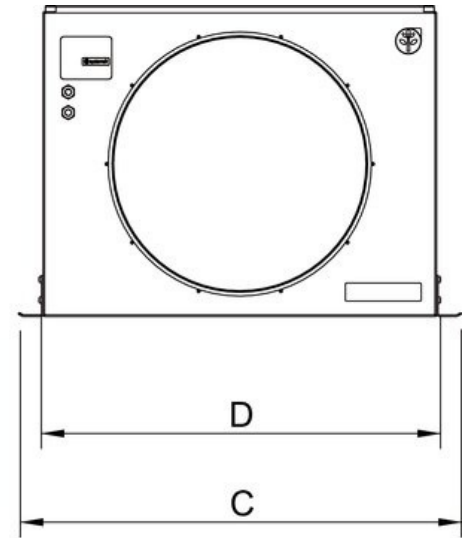
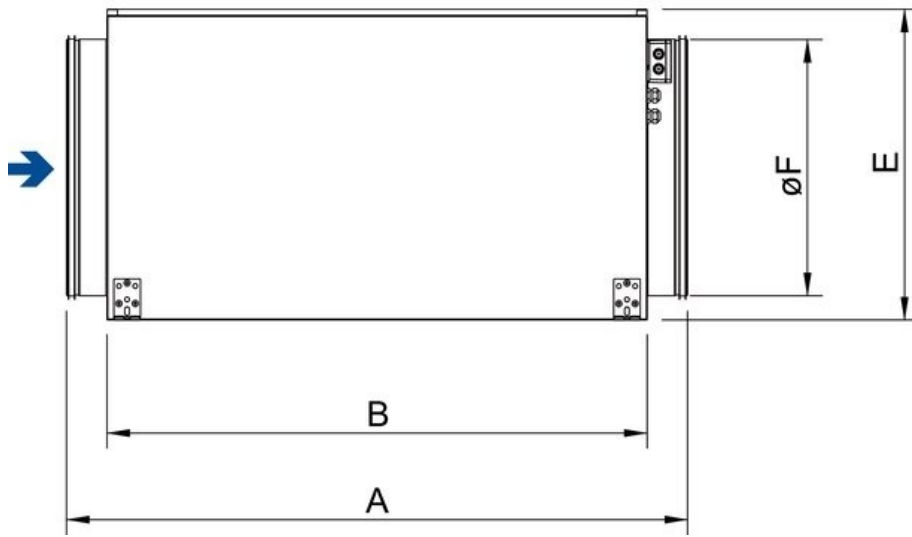
Dimensions and weights

Duct dimension; Circular, inlet	200 mm
Duct dimension; Circular, outlet	200 mm
Weight	10.3 kg

Others

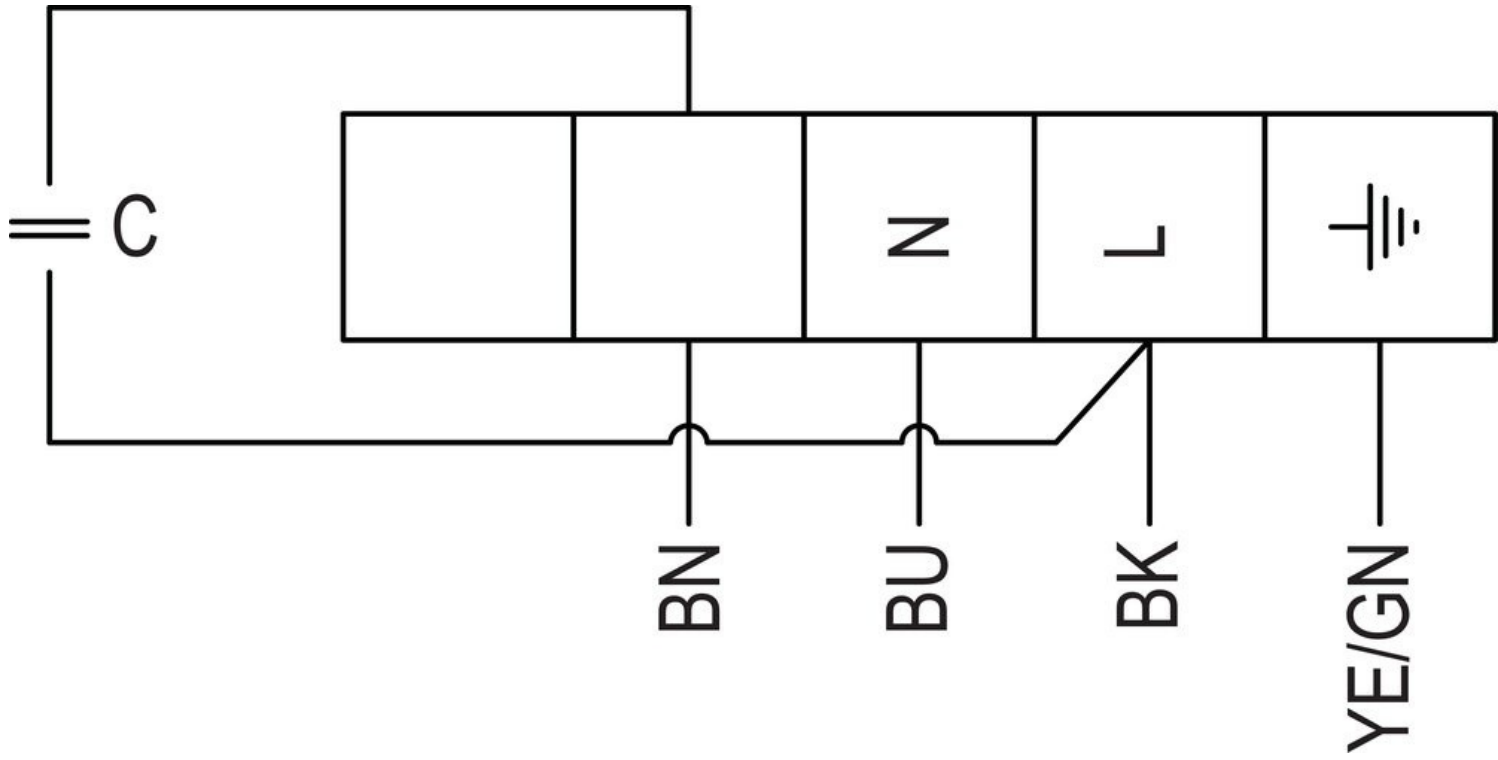
Duct connection type	Circular
Motor type	AC

Dimension



KVK SLIM	A	B	C	D	E	øF
200 AC/EC	620	542	513	415	270	200

Wiring



YE Yellow

BU Blue

GN Green

BN Brown

BK Black

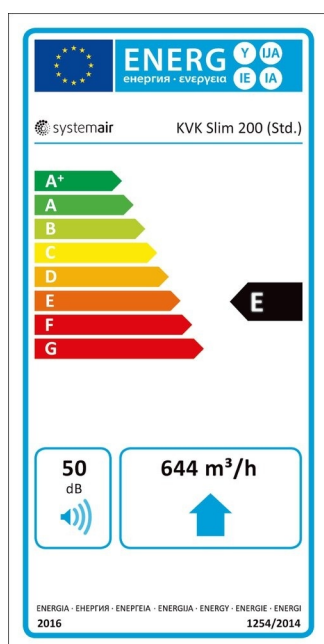
Ecodesign

Product	
Trade name	Systemair
Product name	KVK Slim 200
Basic unit	
ErP compliance	2016
SEC Average	-12.5 kWh/(m ² .a)
SEC Cold	-28.9 kWh/(m ² .a)
SEC Warm	-3.1 kWh/(m ² .a)
SEC Class	E
Unit category	RVU
Unit type	UVU
Drive	External MSD or VSD
Heat recovery type	None
Temperature ratio (UVU)	Not applicable
qv max	644 m ³ /h
P max	106 W
Sound power level LWA	50 dB(A)
qv ref	0.125 m ³ /s
Ps ref	50 Pa
SPI	0.041 W/(m ³ /h)
CTRL	1
MISC	1.1
x-value	1.5
External Leakage	1.2 %
AEC average	186 kWh
AHS Cold	186 kWh
AEC warm	186 kWh
AHS Average	1,715 kWh/a
AHS Cold	3,355 kWh/a
AHS Warm	776 kWh/a

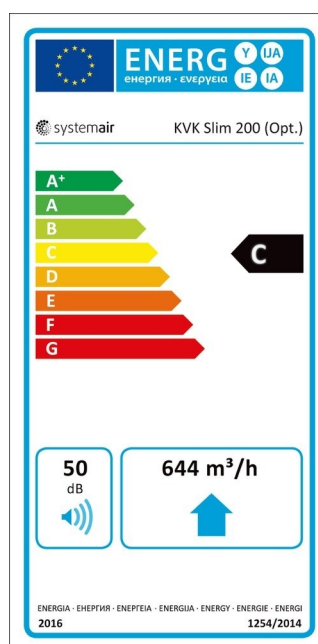
Units with local demand control		
ErP compliance		2018
SEC Average	-25.9	kWh/(m ² .a)
SEC Cold	-52.9	kWh/(m ² .a)
SEC Warm	-10.4	kWh/(m ² .a)
SEC Class		C
Unit category		RVU
Unit type		UVU
Drive		External MSD or VSD
Heat recovery type		None
Temperature ratio (UVU)		Not applicable
qv max	644	m ³ /h
P max	106	W
Sound power level LWA	50	dB(A)
qv ref	0.1253	m ³ /s
Ps ref	50	Pa
SPI	0.041	W/(m ³ /h)
CTRL		0.65
MISC		1.1
x-value		1.5
External Leakage		1.2 %
AEC average		98 kWh
AEC cold		98 kWh
AEC warm		98 kWh
AHS Average		2,830 kWh/a
AHS Cold		5,536 kWh/a
AHS Warm		1,280 kWh/a

Energy class label

Energy class, Basic unit



Energy class, Local demand



Accessories

- [FRQ5S-E-6A \(37421\)](#)
- [REE 1 Speed control \(5314\)](#)
- [REV-3POL/03 ON/OFF \(33978\)](#)
- [VKK-200 Back draft damper \(1626\)](#)
- [FRQS-E-6A \(37419\)](#)
- [Safety switch 2-pole grey \(210679\)](#)
- [CB 200-2,1 230V/1 Duct heater \(5384\)](#)
- [CB 200-3,0 400V/2 Duct heater \(5294\)](#)
- [CBM 200-5,0 400V/2 Duct heater \(5483\)](#)
- [CBMF 200-5,0 400V/2 Duct heater \(12246\)](#)
- [FFR 200 Filter cassette \(1773\)](#)
- [FK 200 Fast clamp \(1611\)](#)
- [LDC 200-600 Silencer \(5194\)](#)
- [RSK-200 Back draft damper \(5602\)](#)
- [VBC 200-3 Water heating batt \(9841\)](#)
- [RE 1,5 Speed control \(5000\)](#)
- [REU 1.5 Speed control \(5004\)](#)
- [SG 200 Protection guard \(5609\)](#)
- [DTV500A \(96807\)](#)
- [IGK-200 Wall Grid \(1633\)](#)
- [VBF 200 Water heating battery \(1732\)](#)
- [CB 200-3,0 230V/1 Duct heater \(5370\)](#)
- [CB 200-5,0 400V/2 Duct heater \(5371\)](#)
- [CBMF 200-3,0 230V/1 Duct heater \(12245\)](#)
- [CWK 200-3-2,5 Duct cooler,circ \(30023\)](#)
- [FGR 200 Filter cassette \(1812\)](#)
- [LDC 200-300 Silencer \(53369\)](#)
- [LDC 200-900 Silencer \(5195\)](#)
- [VBC 200-2 Water heating batt \(5459\)](#)

Documents

- [KVK_SILENT_SLIM_OPERATING_MAINTENANCE_145899_CE_EN_A007.PDF](#)