

## KVK Slim 200 EC

Centrifugal circular duct fan <125W

Item Number: 92152

Variant: 230V 1~ 50/60Hz



- Slim design, easy to install
- Easy maintenance, service cover
- Low sound level, insulated cover
- High efficiency and low SFP in a real working point
- Potentiometer included, possible to speed control 0-100%
- Simple to install, mounting brackets included
- Integrated motor protection
- Aluzinc casing, C4 corrosion class

KVK Slim is a box fan with circular duct connections. The lid is insulated to keep a low sound level. The fan can be installed in any position. The casing is manufactured from Aluzinc in corrosion class C4. A service cover with screw connection makes it easy to open for service and cleaning.



KVK Slim EC is delivered with integrated motor protection and pre-wired potentiometer (0-10V) that allows you to easily find the desired working point. The fan can be demand controlled via sensors for CO<sub>2</sub>, temperature, humidity, presence indication and VAV.

Size 315-500 also offers possibility to communication via Modbus.

The FK mounting clamp (accessory) facilitates easy installation and removal and prevents the transfer of vibration to the duct.

### Technical parameters

Nominal data		
Voltage (nominal)	230	V
Frequency	60; 50	Hz
Phase(s)	1~	
Input power	115	W
Input current	0.9	A
Impeller speed	2,513	rpm
Air flow	max 0.26	m <sup>3</sup> /s
Temperature of transported air	max 60	°C
Max temperature of transported air, when speed controlled	60	°C
Sound data		
Sound pressure level at 3m (20m <sup>2</sup> Sabin)	51	dB(A)
Protection/Classification		
Enclosure class, motor	IP54	
Insulation class	B	

**Data according to ErP**

Energy class, Basic unit	E
Energy class, Local demand	B
ErP ready	ErP 2018

**Dimensions and weights**

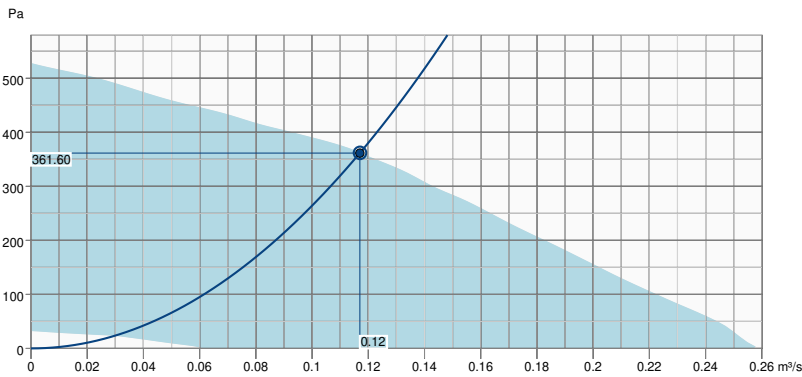
Duct dimension; Circular, inlet	200 mm
Duct dimension; Circular, outlet	200 mm
Weight	10.15 kg

**Others**

Duct connection type	Circular
Motor type	EC

# Performance

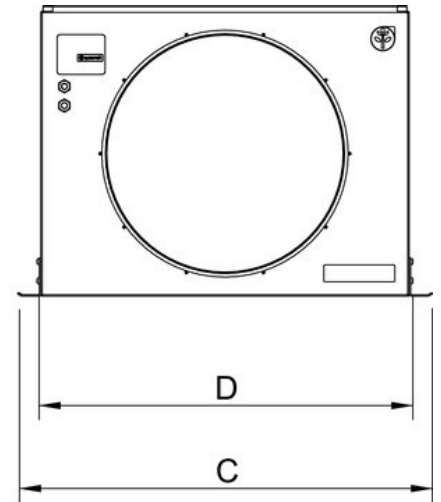
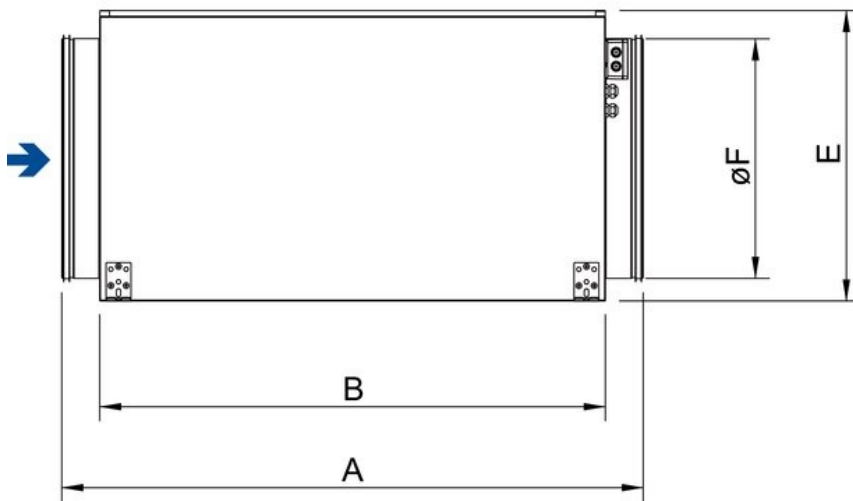
## Performance curve



Hydraulic data	
Required air flow	0.12 m³/s
Required static pressure	362 Pa
Working air flow	0.12 m³/s
Working static pressure	362 Pa
Air density	1.204 kg/m³
Power	111.1 W
Fan control - RPM	2560 rpm
Current	0.80 A
SFP	0.949 kW/m³/s
Control voltage	10.0 V
Supply voltage	230 V

Sound power level		63	125	250	500	1k	2k	4k	8k	Total
Inlet	dB(A)	54	63	68	68	62	58	53	46	73
Outlet	dB(A)	54	55	69	63	57	59	51	43	71
Surrounding	dB(A)	26	46	52	55	49	46	38	31	58
Sound pressure level at 3m (20m² Sabine)	dB(A)	-	-	-	-	-	-	-	-	51
Sound pressure level at 3m free field	dB(A)	-	-	-	-	-	-	-	-	37

## Dimension



KVK SLIM	A	B	C	D	E	øF
200 AC/EC	620	542	513	415	270	200

## Wiring

RD Red

YE Yellow

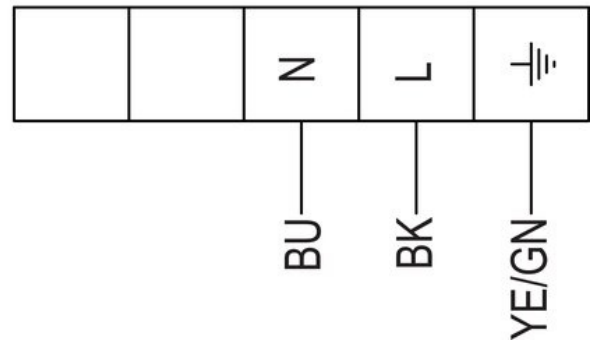
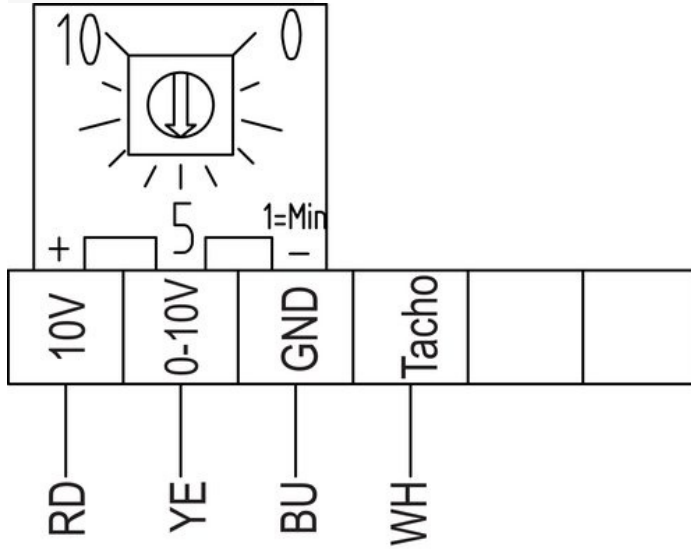
BU Blue

WH White

GN Green

BN Brown

BK Black



## Ecodesign

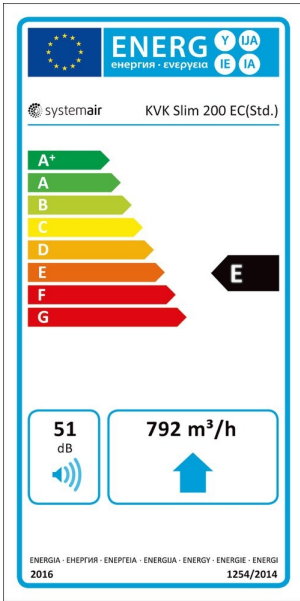
Product	
Trade name	Systemair
Product name	KVK Slim 200 EC
Basic unit	
ErP compliance	2016
SEC Average	-14.7 kWh/(m <sup>2</sup> .a)
SEC Cold	-31.1 kWh/(m <sup>2</sup> .a)
SEC Warm	-5.3 kWh/(m <sup>2</sup> .a)
SEC Class	E
Unit category	RVU
Unit type	UVU
Drive	Integrated VSD
Heat recovery type	None
Temperature ratio (UVU)	Not applicable
qv max	792 m <sup>3</sup> /h
P max	114 W
Sound power level LWA	51 dB(A)
qv ref	0.043 m <sup>3</sup> /s
Ps ref	50 Pa
SPI	0.022 W/(m <sup>3</sup> /h)
CTRL	1
MISC	1.1
x-value	2
External Leakage	1.4 %
AEC average	99 kWh
AHS Cold	99 kWh
AEC warm	99 kWh
AHS Average	1,715 kWh/a
AHS Cold	3,355 kWh/a
AHS Warm	776 kWh/a

**Units with local demand control**

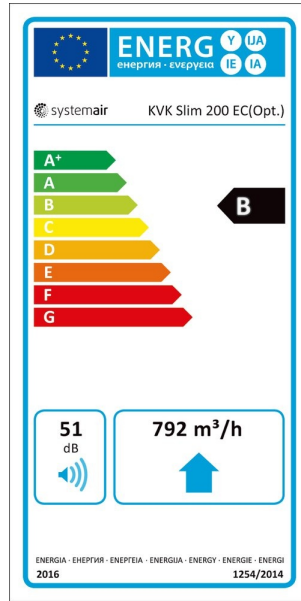
ErP compliance	2018
SEC Average	-27.3 kWh/(m <sup>2</sup> .a)
SEC Cold	-54.3 kWh/(m <sup>2</sup> .a)
SEC Warm	-11.8 kWh/(m <sup>2</sup> .a)
SEC Class	B
Unit category	RVU
Unit type	UVU
Drive	Integrated VSD
Heat recovery type	None
Temperature ratio (UVU)	Not applicable
qv max	792 m <sup>3</sup> /h
P max	114 W
Sound power level LWA	51 dB(A)
qv ref	0.0428 m <sup>3</sup> /s
Ps ref	50 Pa
SPI	0.022 W/(m <sup>3</sup> /h)
CTRL	0.65
MISC	1.1
x-value	2
External Leakage	1.4 %
AEC average	42 kWh
AEC cold	42 kWh
AEC warm	42 kWh
AHS Average	2,830 kWh/a
AHS Cold	5,536 kWh/a
AHS Warm	1,280 kWh/a

# Energy class label

## Energy class, Basic unit



## Energy class, Local demand





## Accessories

- CXE/AVC Modbus (37256)
- EC-Basic-CO2 and temperature (24808)
- EC-Basic-T temperature (24805)
- EC-Selector (9908)
- EC-Vent Room Unit (3018)
- MTP 20, on/off, 3-step (310220)
- REV-3POL/03-7,5kW R/Y (33978)
- SG 200 Protection guard (5609)
- CO2RT-R-D Transmitter (6993)
- IGK-200 Wall Grid (1633)
- RT 0-30 Room Thermostat (5151)
- CB 200-2,1 230V/1 Duct heater (5384)
- CB 200-3,0 400V/2 Duct heater (5294)
- CBM 200-5,0 400V/2 Duct heater (5483)
- CBMF 200-5,0 400V/2 Duct heater (12246)
- FFR 200 Filter cassette (1773)
- FK 200 Fast clamp (1611)
- LDC 200-600 Silencer (5194)
- RSK-200 Back draft damper (5602)
- VBC 200-3 Water heating batt (9841)
- BMS Trickle & Boost Switch (120363)
- DMD-C Pressure controller (15793)
- EC-Basic-H humidity (24807)
- EC-Basic-U universal 0-10V (24806)
- EC-Vent control board (3115)
- MTP 10, 10K, Speed control (32731)
- MTV-1/010 Controller 0..10V+ (30650)
- S-5EC/FRQ (76738)
- VKK-200 Back draft damper (1626)
- HR1 Room Humidistat (215150)
- Presence detector/IR24-P (6995)
- VBF 200 Water heating battery (1732)
- CB 200-3,0 230V/1 Duct heater (5370)
- CB 200-5,0 400V/2 Duct heater (5371)
- CBMF 200-3,0 230V/1 Duct heater (12245)
- CWK 200-3-2,5 Duct cooler, circ (30023)
- FGR 200 Filter cassette (1812)
- LDC 200-300 Silencer (53369)
- LDC 200-900 Silencer (5195)
- VBC 200-2 Water heating batt (5459)
- VK-20 Louvre shutter (5639)