

KVK Slim 250

Centrifugal circular duct fan

Item Number: 92144

Variant: 230V 1~ 50Hz



- Slim design, easy to install
- Easy maintenance, service cover
- Low sound level, insulated cover
- High efficiency and low SFP in a real working point
- Speed-controllable
- Simple to install, mounting brackets included
- Integrated motor protection
- Aluzinc casing, C4 corrosion class

KVK Slim is a box fan with circular duct connections. The lid is insulated to keep a low sound level. The fan can be installed in any position. The casing is manufactured from Aluzinc in corrosion class C4. A service cover with screw connection makes it easy to open for service and cleaning.

KVK Slim can be demand controlled via sensors and controllers for CO₂, temperature, humidity, presence indication and VAV or manually speed controlled via a stepless thyristor or a 5-step transformer. To protect the motor from overheating, the fans have integral thermal contacts with manual reset (reset by disconnecting the power).

The FK mounting clamp (accessory) facilitates easy installation and removal, and prevents the transfer of vibration to the duct.



Technical parameters

| Nominal data | | |
|---|-----------|-------------------|
| Voltage (nominal) | 230 | V |
| Frequency | 50 | Hz |
| Phase(s) | 1~ | |
| Input power | 241 | W |
| Input current | 1.05 | A |
| Impeller speed | 2,694 | rpm |
| Air flow | max 0.366 | m ³ /s |
| Capacitance of capacitor | 6 | μF |
| Temperature of transported air | max 70 | °C |
| Max temperature of transported air, when speed controlled | 70 | °C |
| Sound data | | |
| Sound pressure level at 3m (20m ² Sabin) | 55 | dB(A) |
| Protection/Classification | | |
| Enclosure class, motor | IP44 | |
| Insulation class | F | |

Data according to ErP

ErP ready

ErP 2018

Dimensions and weights

Duct dimension; Circular, inlet

250 mm

Duct dimension; Circular, outlet

250 mm

Weight

15.25 kg

Others

Duct connection type

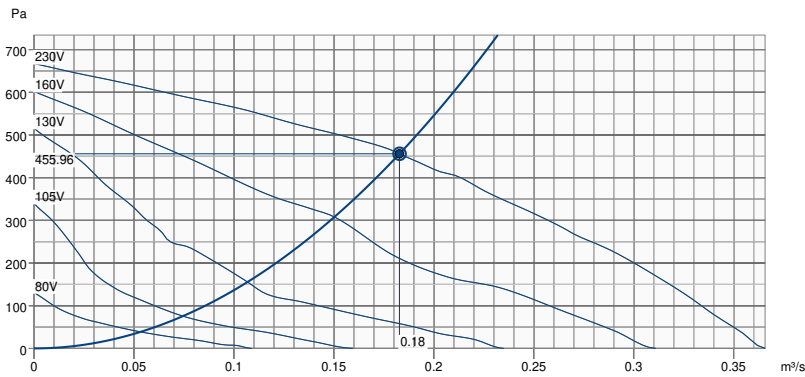
Circular

Motor type

AC

Performance

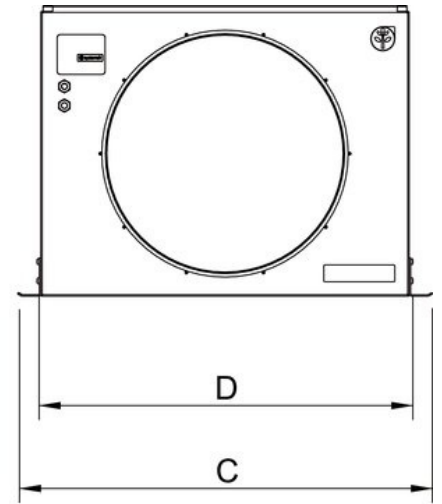
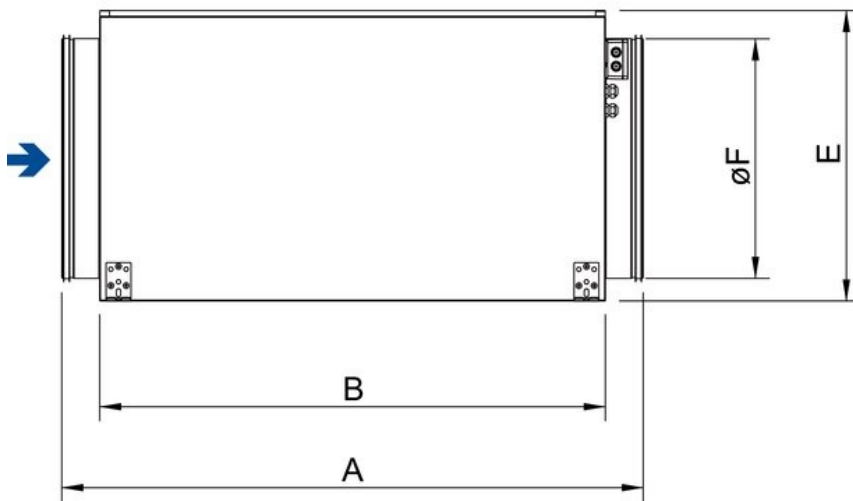
Performance curve



| Hydraulic data | |
|--------------------------|---------------|
| Required air flow | 0.18 m³/s |
| Required static pressure | 456 Pa |
| Working air flow | 0.18 m³/s |
| Working static pressure | 456 Pa |
| Air density | 1.204 kg/m³ |
| Power | 225.4 W |
| Fan control - RPM | 2728 rpm |
| Current | 1.00 A |
| SFP | 1.233 kW/m³/s |
| Control voltage | 230.0 V |
| Supply voltage | 230 V |

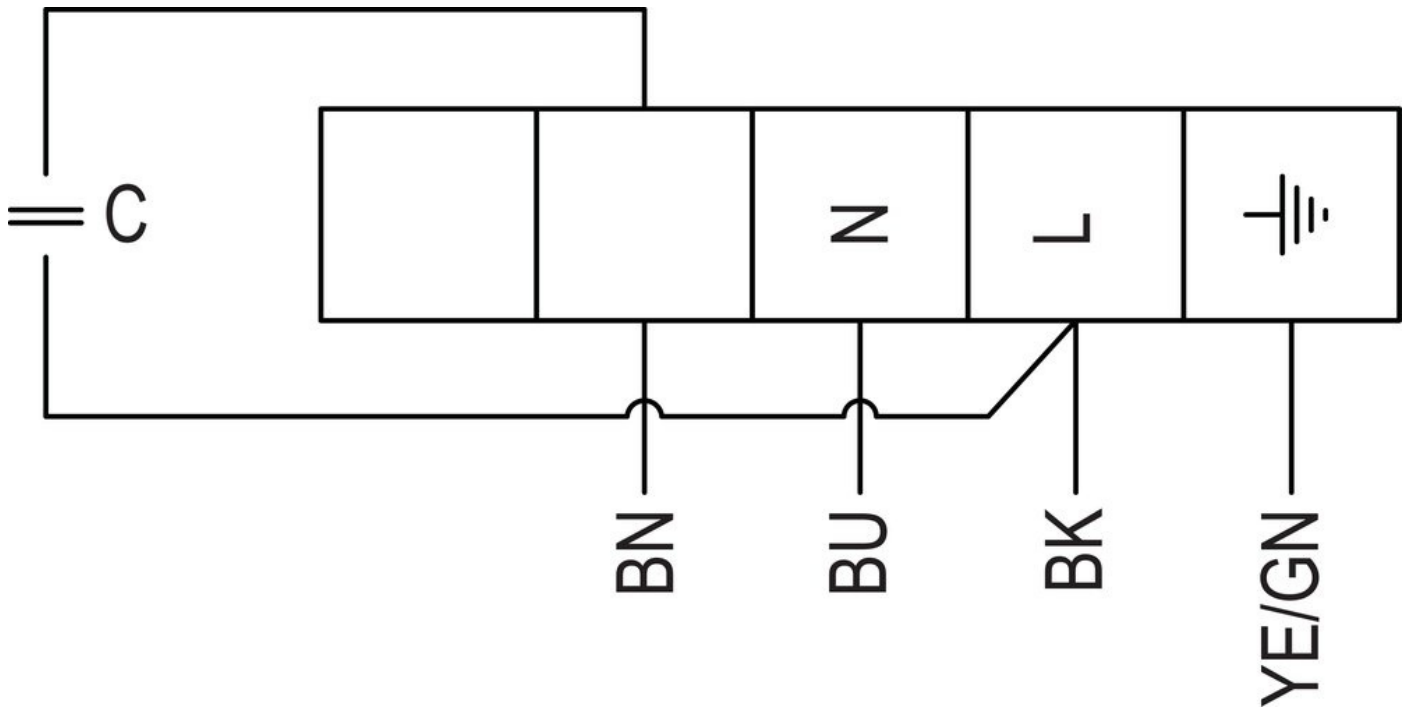
| Sound power level | | 63 | 125 | 250 | 500 | 1k | 2k | 4k | 8k | Total |
|--|-------|----|-----|-----|-----|----|----|----|----|-------|
| Inlet | dB(A) | 56 | 64 | 72 | 70 | 67 | 63 | 59 | 51 | 76 |
| Outlet | dB(A) | 54 | 61 | 69 | 64 | 63 | 64 | 56 | 47 | 72 |
| Surrounding | dB(A) | 37 | 48 | 58 | 57 | 53 | 50 | 48 | 36 | 62 |
| Sound pressure level at 3m (20m² Sabine) | dB(A) | - | - | - | - | - | - | - | - | 55 |
| Sound pressure level at 3m free field | dB(A) | - | - | - | - | - | - | - | - | 41 |

Dimension



| KVK SLIM | A | B | C | D | E | øF |
|-----------|-----|-----|-----|-----|-----|-----|
| 250 AC/EC | 773 | 657 | 548 | 450 | 300 | 250 |

Wiring



| | |
|----|--------|
| YE | Yellow |
| BU | Blue |
| GN | Green |
| BN | Brown |
| BK | Black |

Ecodesign

| Product | |
|-------------------------|-------------------------|
| Trade name | Systemair |
| Product name | KVK Slim 250 |
| Ecodesign | |
| ErP compliance | 2018 |
| Unit category | NRVU |
| Drive | External MSD or VSD |
| Unit type | UVU |
| Heat recovery type | None |
| Temperature ratio (UVU) | Not applicable |
| qv nom | 0.183 m ³ /s |
| P nom | 0.225 kW |
| Ps nom | 456 Pa |
| Fan efficiency | 37.1 % |
| External Leakage | 2.6 % |
| Sound power level LWA | 58 dB(A) |

Accessories

- RE 1,5 Speed control (5000)
- REU 1.5 Speed control (5004)
- SG 250 Protection guard (5610)
- CB 250-6,0 400V/2 Duct heater (5372)
- CB 250-3,0 230V/1 Duct heater (5385)
- CBM 250-6,0 400V/2 Duct heater (9089)
- CBMF 250-6,0 400V/2 Duct heater (12249)
- FFR 250 Filter cassette (1776)
- FK 250 Fast clamp (1612)
- RSK-250 Back draft damper (5603)
- VBC 250-3 Water heating batt (9843)
- VK-25 Louvre shutter (5640)
- REE 2 Speed control (5316)
- REV-3POL/03-7,5kW R/Y (33978)
- VKK-250 Back draft damper (1627)
- DTV500A (96807)
- CB 250-9,0 400V/3 Duct heater (5373)
- CBMF 250-3,0 230V/1 Duct heater (12248)
- CWK 250-3-2,5 Duct cooler, circ (30024)
- FGR 250 Filter cassette (1815)
- LDC 250-900 Silencer (5196)
- VBC 250-2 Water heating batt (5460)
- VBF 250 Water heating battery (1733)