

KVK Slim 250 EC

Centrifugal circular duct fan

Item Number: 92153

Variant: 230V 1~ 50/60Hz



- Slim design, easy to install
- Easy maintenance, service cover
- Low sound level, insulated cover
- High efficiency and low SFP in a real working point
- Potentiometer included, possible to speed control 0-100%
- Simple to install, mounting brackets included
- Integrated motor protection
- Aluzinc casing, C4 corrosion class

KVK Slim is a box fan with circular duct connections. The lid is insulated to keep a low sound level. The fan can be installed in any position. The casing is manufactured from Aluzinc in corrosion class C4. A service cover with screw connection makes it easy to open for service and cleaning.



KVK Slim EC is delivered with integrated motor protection and pre-wired potentiometer (0-10V) that allows you to easily find the desired working point. The fan can be demand controlled via sensors for CO₂, temperature, humidity, presence indication and VAV.

Size 315-500 also offers possibility to communication via Modbus.

The FK mounting clamp (accessory) facilitates easy installation and removal and prevents the transfer of vibration to the duct.

Technical parameters

Nominal data		
Voltage (nominal)	230	V
Frequency	50; 60	Hz
Phase(s)	1~	
Input power	170	W
Input current	1.16	A
Impeller speed	1,817	rpm
Air flow	max 0.458	m ³ /s
Temperature of transported air	max 60	°C
Max temperature of transported air, when speed controlled	60	°C
Sound data		
Sound pressure level at 3m (20m ² Sabin)	51	dB(A)
Protection/Classification		
Enclosure class, motor	IP44	
Insulation class	F	

Data according to ErP

ErP ready

ErP 2018

Dimensions and weights

Duct dimension; Circular, inlet

250 mm

Duct dimension; Circular, outlet

250 mm

Weight

13.55 kg

Others

Duct connection type

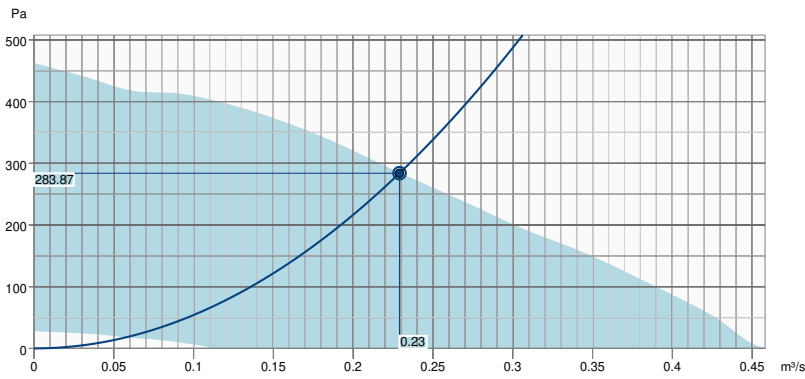
Circular

Motor type

EC

Performance

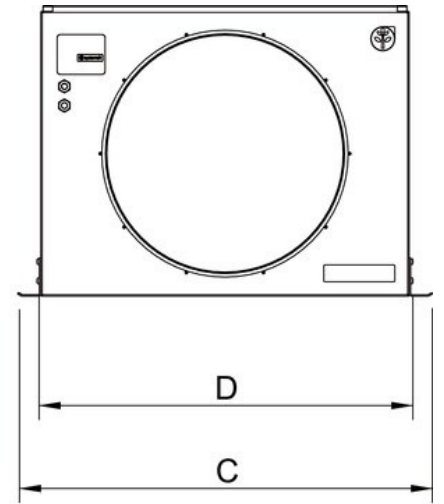
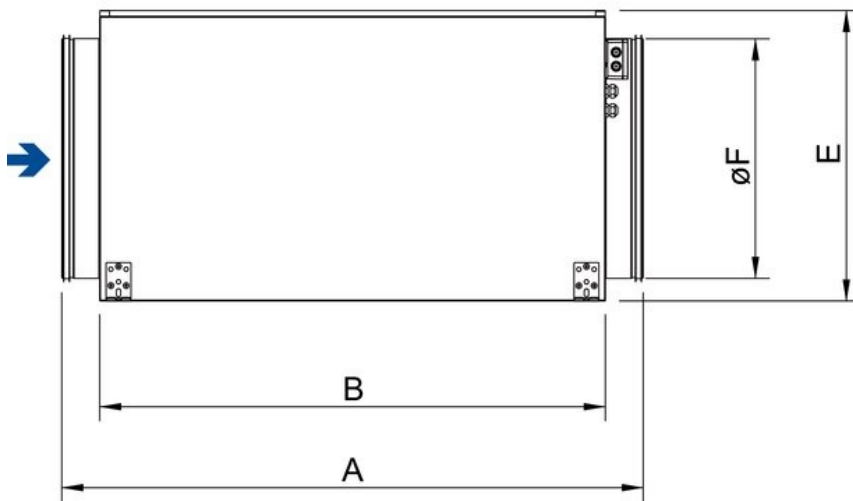
Performance curve



Hydraulic data	
Required air flow	0.23 m³/s
Required static pressure	284 Pa
Working air flow	0.23 m³/s
Working static pressure	284 Pa
Air density	1.204 kg/m³
Power	165.3 W
Fan control - RPM	1858 rpm
Current	1.10 A
SFP	0.722 kW/m³/s
Control voltage	10.0 V
Supply voltage	230 V

Sound power level		63	125	250	500	1k	2k	4k	8k	Total
Inlet	dB(A)	55	67	67	66	61	58	55	48	72
Outlet	dB(A)	53	67	68	61	59	60	55	50	72
Surrounding	dB(A)	40	51	52	52	48	45	43	37	58
Sound pressure level at 3m (20m² Sabine)	dB(A)	-	-	-	-	-	-	-	-	51
Sound pressure level at 3m free field	dB(A)	-	-	-	-	-	-	-	-	37

Dimension



KVK SLIM	A	B	C	D	E	øF
250 AC/EC	773	657	548	450	300	250

Wiring

RD Red

YE Yellow

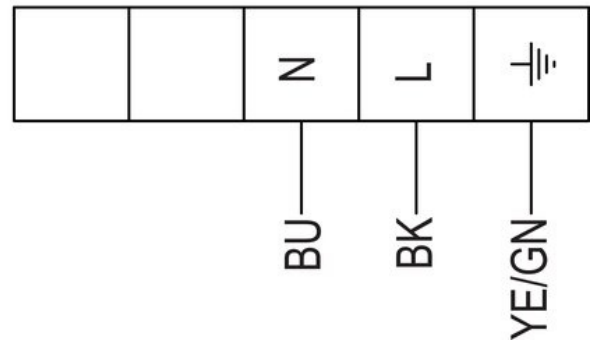
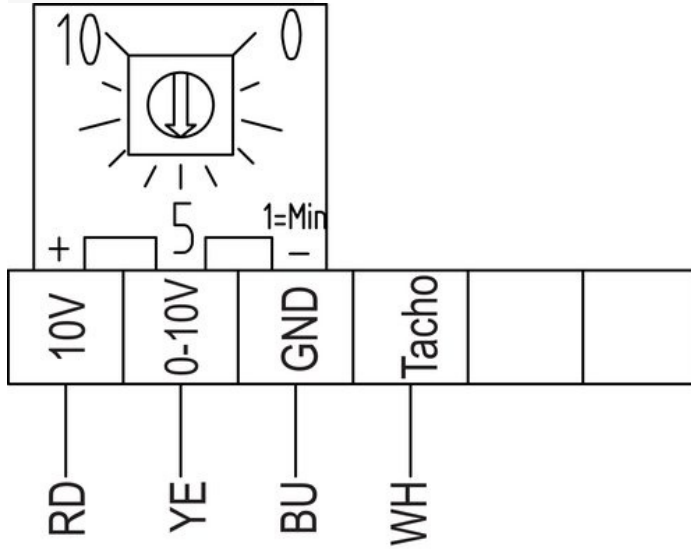
BU Blue

WH White

GN Green

BN Brown

BK Black



Ecodesign

Product	
Trade name	Systemair
Product name	KVK Slim 250 EC
Ecodesign	
ErP compliance	2018
Unit category	NRVU
Drive	External MSD or VSD
Unit type	UVU
Heat recovery type	None
Temperature ratio (UVU)	Not applicable
qv nom	0.229 m ³ /s
P nom	0.165 kW
Ps nom	284 Pa
Fan efficiency	39.4 %
External Leakage	2.6 %
Sound power level LWA	52 dB(A)

Accessories

- CXE/AVC Modbus (37256)
- EC-Basic-CO2 and temperature (24808)
- EC-Basic-T temperature (24805)
- EC-Selector (9908)
- EC-Vent Room Unit (3018)
- MTP 20, on/off, 3-step (310220)
- REV-3POL/03-7,5kW R/Y (33978)
- SG 250 Protection guard (5610)
- CB 250-6,0 400V/2 Duct heater (5372)
- HR1 Room Humidistat (215150)
- RT 0-30 Room Thermostat (5151)
- CB 250-9,0 400V/3 Duct heater (5373)
- CBMF 250-3,0 230V/1 Duct heater (12248)
- CWK 250-3-2,5 Duct cooler,circ (30024)
- FGR 250 Filter cassette (1815)
- LDC 250-900 Silencer (5196)
- VBC 250-2 Water heating batt (5460)
- VBF 250 Water heating battery (1733)
- BMS Trickle & Boost Switch (120363)
- DMD-C Pressure controller (15793)
- EC-Basic-H humidity (24807)
- EC-Basic-U universal 0-10V (24806)
- EC-Vent control board (3115)
- MTP 10, 10K, Speed control (32731)
- MTV-1/010 Controller 0..10V+ (30650)
- S-5EC/FRQ (76738)
- VKK-250 Back draft damper (1627)
- CO2RT-R-D Transmitter (6993)
- Presence detector/IR24-P (6995)
- CB 250-3,0 230V/1 Duct heater (5385)
- CBM 250-6,0 400V/2 Duct heater (9089)
- CBMF 250-6,0 400V/2 Duct heater (12249)
- FFR 250 Filter cassette (1776)
- FK 250 Fast clamp (1612)
- RSK-250 Back draft damper (5603)
- VBC 250-3 Water heating batt (9843)
- VK-25 Louvre shutter (5640)