

KVK Slim 315

Centrifugal circular duct fan

Item Number: 92145

Variant: 230V 1~ 50Hz



- Slim design, easy to install
- Easy maintenance, service cover
- Low sound level, insulated cover
- High efficiency and low SFP in a real working point
- Speed-controllable
- Simple to install, mounting brackets included
- Integrated motor protection
- Aluzinc casing, C4 corrosion class

KVK Slim is a box fan with circular duct connections. The lid is insulated to keep a low sound level. The fan can be installed in any position. The casing is manufactured from Aluzinc in corrosion class C4. A service cover with screw connection makes it easy to open for service and cleaning.

KVK Slim can be demand controlled via sensors and controllers for CO₂, temperature, humidity, presence indication and VAV or manually speed controlled via a stepless thyristor or a 5-step transformer. To protect the motor from overheating, the fans have integral thermal contacts with manual reset (reset by disconnecting the power).

The FK mounting clamp (accessory) facilitates easy installation and removal, and prevents the transfer of vibration to the duct.



Technical parameters

Nominal data		
Voltage (nominal)	230	V
Frequency	50	Hz
Phase(s)	1~	
Input power	266	W
Input current	1.27	A
Impeller speed	1,346	rpm
Air flow	max 0.702	m ³ /s
Capacitance of capacitor	5	μF
Temperature of transported air	max 70	°C
Max temperature of transported air, when speed controlled	70	°C
Sound data		
Sound pressure level at 3m (20m ² Sabin)	50	dB(A)
Protection/Classification		
Enclosure class, motor	IP54	
Insulation class	F	

Data according to ErP

ErP ready

ErP 2018

Dimensions and weights

Duct dimension; Circular, inlet

315 mm

Duct dimension; Circular, outlet

315 mm

Weight

31.966 kg

Others

Duct connection type

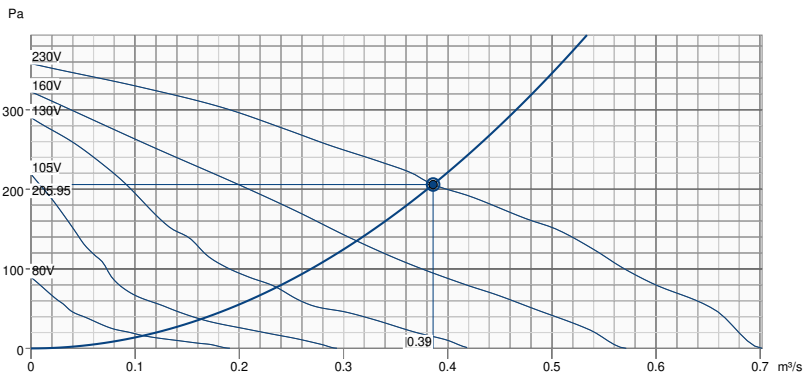
Circular

Motor type

AC

Performance

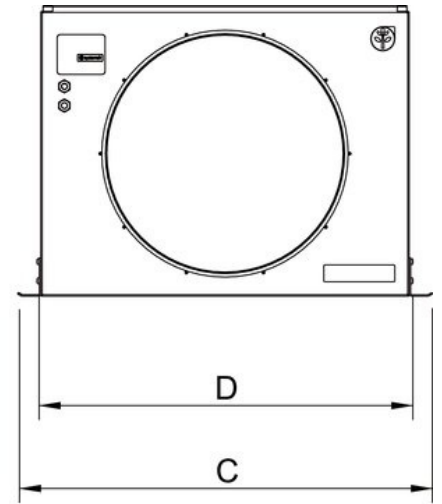
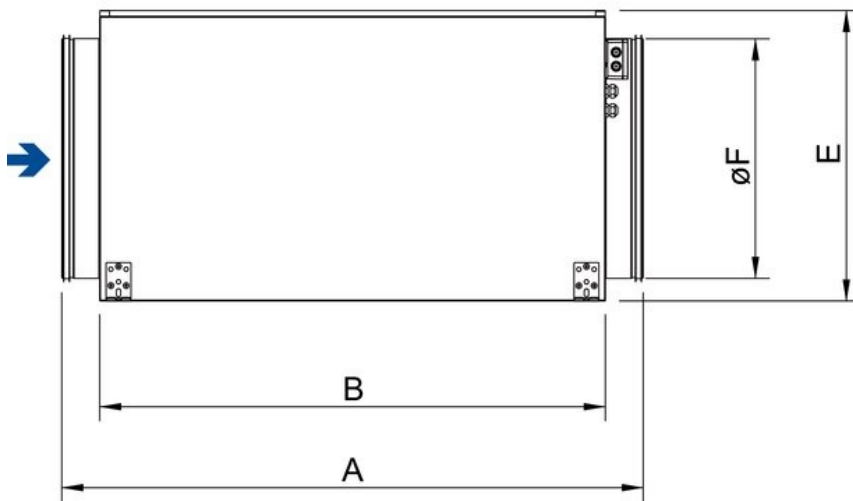
Performance curve



Hydraulic data	
Required air flow	0.39 m³/s
Required static pressure	206 Pa
Working air flow	0.39 m³/s
Working static pressure	206 Pa
Air density	1.204 kg/m³
Power	238.7 W
Fan control - RPM	1370 rpm
Current	1.20 A
SFP	0.618 kW/m³/s
Control voltage	230.0 V
Supply voltage	230 V

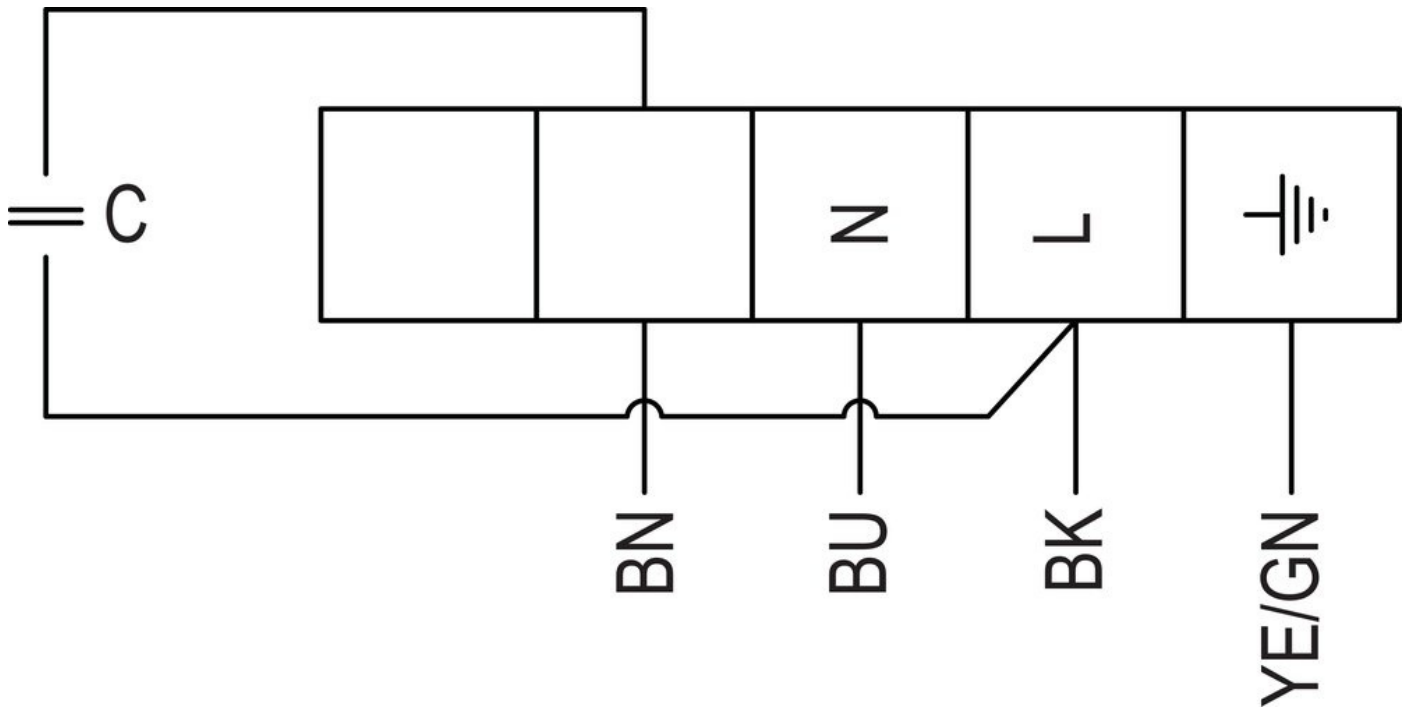
Sound power level		63	125	250	500	1k	2k	4k	8k	Total
Inlet	dB(A)	56	66	65	58	56	56	55	44	70
Outlet	dB(A)	56	68	64	59	58	56	50	41	71
Surrounding	dB(A)	35	50	55	48	45	45	47	34	58
Sound pressure level at 3m (20m² Sabine)	dB(A)	-	-	-	-	-	-	-	-	51
Sound pressure level at 3m free field	dB(A)	-	-	-	-	-	-	-	-	37

Dimension



KVK SLIM	A	B	C	D	E	ØF
315	945	825	694	590	451	315

Wiring



YE	Yellow
BU	Blue
GN	Green
BN	Brown
BK	Black

Ecodesign

Product	
Trade name	Systemair
Product name	KVK Slim 315
Ecodesign	
ErP compliance	2018
Unit category	NRVU
Drive	External MSD or VSD
Unit type	UVU
Heat recovery type	None
Temperature ratio (UVU)	Not applicable
qv nom	0.386 m ³ /s
P nom	0.239 kW
Ps nom	206 Pa
Fan efficiency	33.3 %
External Leakage	1 %
Sound power level LWA	51 dB(A)

Accessories

- RE 1,5 Speed control (5000)
- REPT 6 Digital regulator (5698)
- REU 1.5 Speed control (5004)
- RSK-500 Back draft damper (73049)
- SG 500 Protection guard (5615)
- CB 315-6,0 400V/2 Duct heater (5374)
- DTV500A (96807)
- Presence detector/IR24-P (6995)
- CB 315-12,0 400V/3 Duct heater (5387)
- CB 315-9,0 400V/3 Duct heater (5375)
- CBMF 315-9,0 400V/3 Duct heater (12354)
- FFR 315 Filter cassette (1779)
- FK 315 Fast clamp (1613)
- LDC 315-900 Silencer (5197)
- VBC 315-2 Water heating batt (5461)
- VBC 500-2 Water heating batt (9837)
- VK-30 Louvre shutter (5641)
- REE 2 Speed control (5316)
- RETP 6 Temp/Pressure regulator (32293)
- REV-3POL/03-7,5kW R/Y (33978)
- SG 315 Protection guard (5611)
- VKK-315 Back draft damper (1628)
- CO2RT-R-D Transmitter (6993)
- HR1 Room Humidistat (215150)
- RT 0-30 Room Thermostat (5151)
- CB 315-3,0 230V/1 Duct heater (5386)
- CBM 315-9,0 400V/3 Duct heater (5485)
- CWK 315-3-2,5 Duct cooler,circ (30025)
- FGR 315 Filter cassette (1818)
- FK 500 Fast clamp (1617)
- RSK-315 Back draft damper (5604)
- VBC 315-3 Water heating batt (9844)
- VBF 315 Water heating battery (1734)
- VK-50 Louvre shutter (5646)