

# KVK Slim 500 EC

Centrifugal circular duct fan

Item Number: 92157

Variant: 230V 1~ 50/60Hz



- Slim design, easy to install
- Easy maintenance, service cover
- Low sound level, insulated cover
- High efficiency and low SFP in a real working point
- Potentiometer included, possible to speed control 0-100%
- Simple to install, mounting brackets included
- Integrated motor protection
- Aluzinc casing, C4 corrosion class

KVK Slim is a box fan with circular duct connections. The lid is insulated to keep a low sound level. The fan can be installed in any position. The casing is manufactured from Aluzinc in corrosion class C4. A service cover with screw connection makes it easy to open for service and cleaning.



KVK Slim EC is delivered with integrated motor protection and pre-wired potentiometer (0-10V) that allows you to easily find the desired working point. The fan can be demand controlled via sensors for CO<sub>2</sub>, temperature, humidity, presence indication and VAV.

Size 315-500 also offers possibility to communication via Modbus.

The FK mounting clamp (accessory) facilitates easy installation and removal and prevents the transfer of vibration to the duct.

## Technical parameters

Nominal data		
Voltage (nominal)	230	V
Frequency	50; 60	Hz
Phase(s)	1~	
Input power	779	W
Input current	3.49	A
Impeller speed	1,464	rpm
Air flow	max 1.741	m <sup>3</sup> /s
Temperature of transported air	max 60	°C
Max temperature of transported air, when speed controlled	60	°C
Sound data		
Sound pressure level at 3m (20m <sup>2</sup> Sabin)	62	dB(A)
Protection/Classification		
Enclosure class, motor	IP54	
Insulation class	F	

**Data according to ErP**

ErP ready

ErP 2018

**Dimensions and weights**

Duct dimension; Circular, inlet

500 mm

Duct dimension; Circular, outlet

500 mm

Weight

53.1 kg

**Others**

Duct connection type

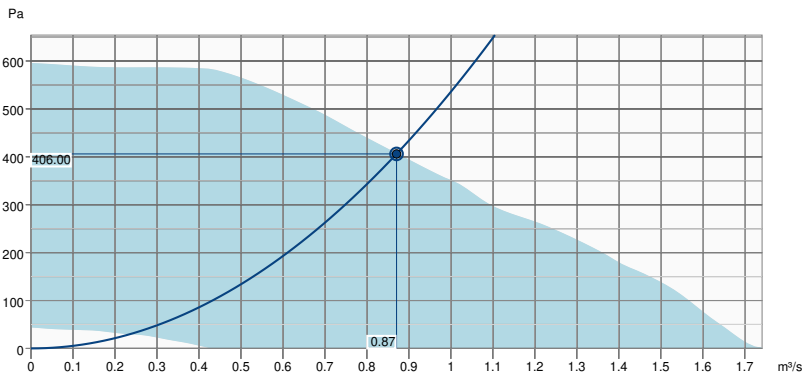
Circular

Motor type

EC

# Performance

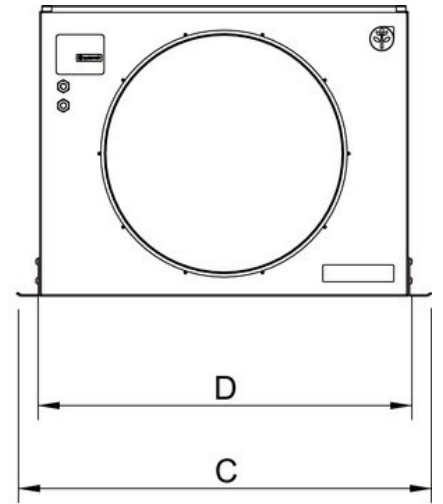
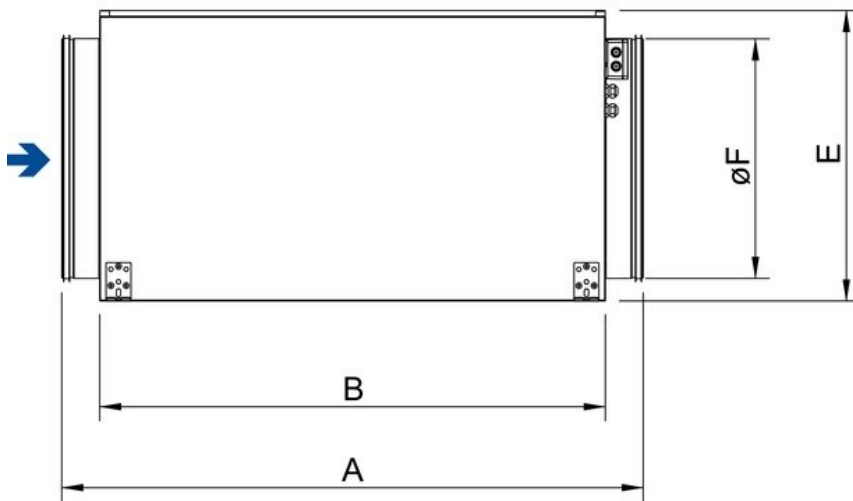
## Performance curve



Hydraulic data	
Required air flow	0.87 m³/s
Required static pressure	406 Pa
Working air flow	0.87 m³/s
Working static pressure	406 Pa
Air density	1.204 kg/m³
Power	756.5 W
Fan control - RPM	1488 rpm
Current	3.40 A
SFP	0.869 kW/m³/s
Control voltage	10.0 V
Supply voltage	230 V

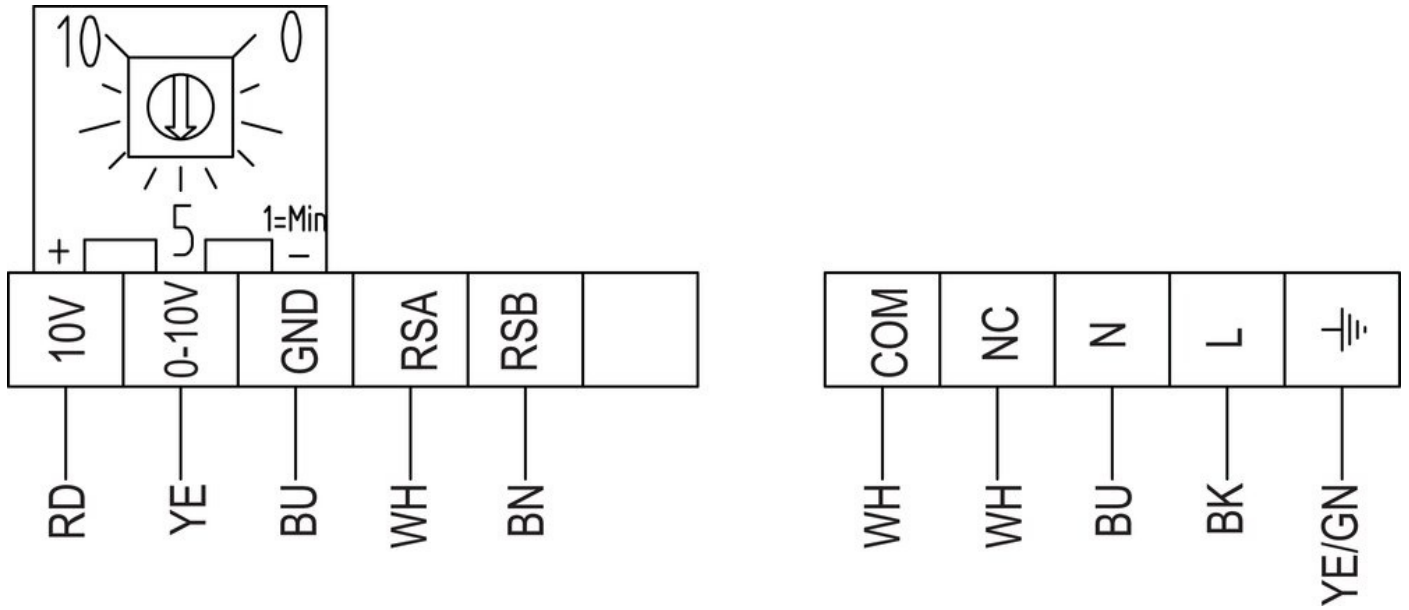
Sound power level		63	125	250	500	1k	2k	4k	8k	Total
Inlet	dB(A)	65	77	74	69	69	67	62	54	80
Outlet	dB(A)	56	72	68	67	73	71	64	55	78
Surrounding	dB(A)	48	61	65	59	61	62	57	51	69
Sound pressure level at 3m (20m² Sabine)	dB(A)	-	-	-	-	-	-	-	-	62
Sound pressure level at 3m free field	dB(A)	-	-	-	-	-	-	-	-	48

## Dimension



KVK SLIM	A	B	C	D	E	øF
500 EC	1213	1055	873	768	605	500

## Wiring



RD Red  
YE Yellow  
BU Blue  
WH White  
GN Green  
BN Brown  
BK Black

## Ecodesign

Product	
Trade name	Systemair
Product name	KVK Slim 500 EC
Ecodesign	
ErP compliance	2018
Unit category	NRVU
Drive	Integrated VSD
Unit type	UVU
Heat recovery type	None
Temperature ratio (UVU)	Not applicable
qv nom	0.871 m <sup>3</sup> /s
P nom	0.757 kW
Ps nom	406 Pa
Fan efficiency	46.7 %
External Leakage	1.4 %
Sound power level LWA	64 dB(A)

## Accessories

- CXE/AVC Modbus (37256)
- EC-Basic-CO2 and temperature (24808)
- EC-Basic-T temperature (24805)
- EC-Selector (9908)
- EC-Vent Room Unit (3018)
- MTP 20, on/off, 3-step (310220)
- PCA 1000D2 Pressure controller (76739)
- RSK-500 Back draft damper (73049)
- SG 500 Protection guard (5615)
- HR1 Room Humidistat (215150)
- RT 0-30 Room Thermostat (5151)
- VBC 500-2 Water heating batt (9837)
- BMS Trickle & Boost Switch (120363)
- DMD-C Pressure controller (15793)
- EC-Basic-H humidity (24807)
- EC-Basic-U universal 0-10V (24806)
- EC-Vent control board (3115)
- MTP 10, 10K, Speed control (32731)
- MTV-1/010 Controller 0..10V+ (30650)
- REV-3POL/03-7.5kW R/Y (33978)
- S-5EC/FRQ (76738)
- CO2RT-R-D Transmitter (6993)
- Presence detector/IR24-P (6995)
- FK 500 Fast clamp (1617)
- VK-50 Louvre shutter (5646)

## Documents

- MODBUS LITE V5.01 parameter specification.pdf