

KV 200 L sileo

Centrifugal circular duct fan

Item Number: 19518

Variant: 230V 1~ 50Hz

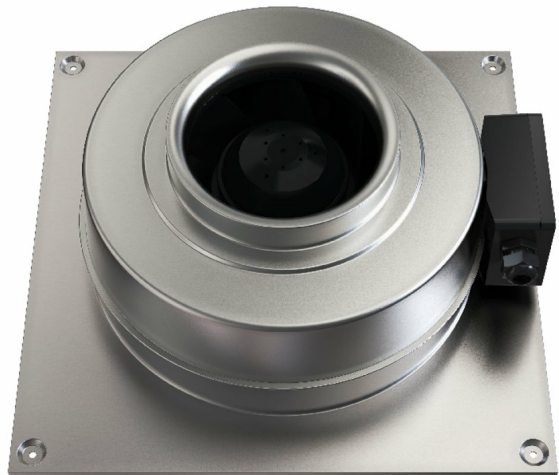


- Speed-controllable
- Quiet-running
- Increased efficiency
- Integral thermal contacts
- Can be installed in any position - duct or wall mounted
- Can be installed outdoors
- Maintenance-free and reliable

The KV sileo series is designed for installation in ducts. All KV-fans have minimum 25 mm long spigot connections. The FK mounting clamp facilitates easy installation and removal, and prevents the transfer of vibration to the duct. The fans have backward-curved blades and external rotor motors. KV sileo fans can be speed-controlled via a stepless thyristor or a 5-step transformer.

To protect the motor from overheating the fan has integral thermal contacts with manual reset.

The casing is manufactured from galvanised sheet steel and folded which gives the fan a close to air tight casing, wet room applications of the fan are possible due to the air tight casing.



Technical parameters

Nominal data		
Voltage (Nominal)	230	V
Frequency	50	Hz
Phase(s)	1~	
Input power	155	W
Input current	0.681	A
Impeller speed	2,638	r.p.m.
Air flow	max 0.2783	m³/s
Capacitance of capacitor	3.5	µF
Temperature of transported air	max 70	°C
Max temperature of transported air, when speed controlled	70	°C

Sound data

Sound pressure level at 3m (20m ² Sabin)	49 dB(A)
---	----------

Protection/Classification

Enclosure class, motor	IP44
------------------------	------

Insulation class	F
------------------	---

Data according to ErP

ErP ready	ErP 2018
-----------	----------

Dimensions and weights

Duct dimension; Circular, inlet	200 mm
---------------------------------	--------

Duct dimension; Circular, outlet	200 mm
----------------------------------	--------

Weight	4.5 kg
--------	--------

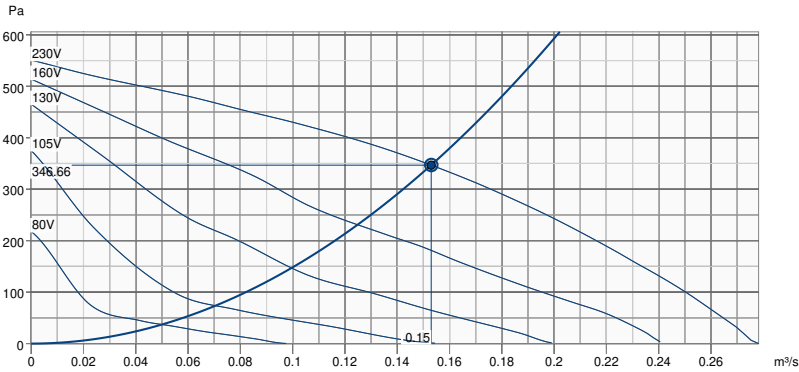
Others

Duct connection type	Circular
----------------------	----------

Motor type	AC
------------	----

Performance

Performance curve

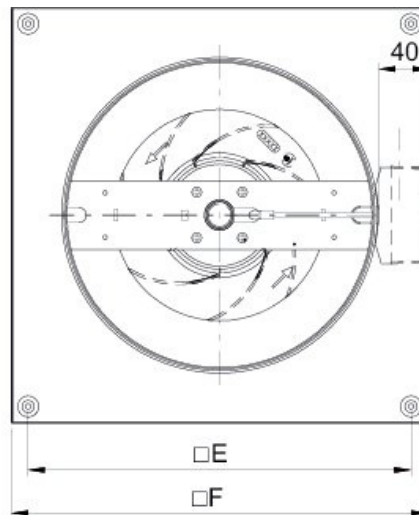
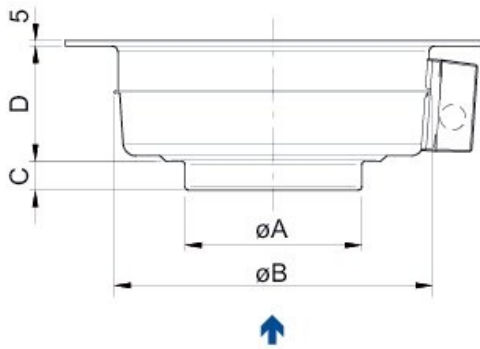


Hydraulic data

Required air flow	0.15 m³/s
Required static pressure	347 Pa
Working air flow	0.15 m³/s
Working static pressure	347 Pa
Air density	1.204 kg/m³
Power	151.7 W
Fan control - RPM	2654 rpm
Current	0.66 A
SFP	0.991 kW/m³/s
Control voltage	230.0 V
Supply voltage	230 V

Sound power level		63	125	250	500	1k	2k	4k	8k	Total
Inlet	dB(A)	52	54	63	60	63	62	53	51	69
Outlet	dB(A)	35	40	62	63	66	66	60	55	71

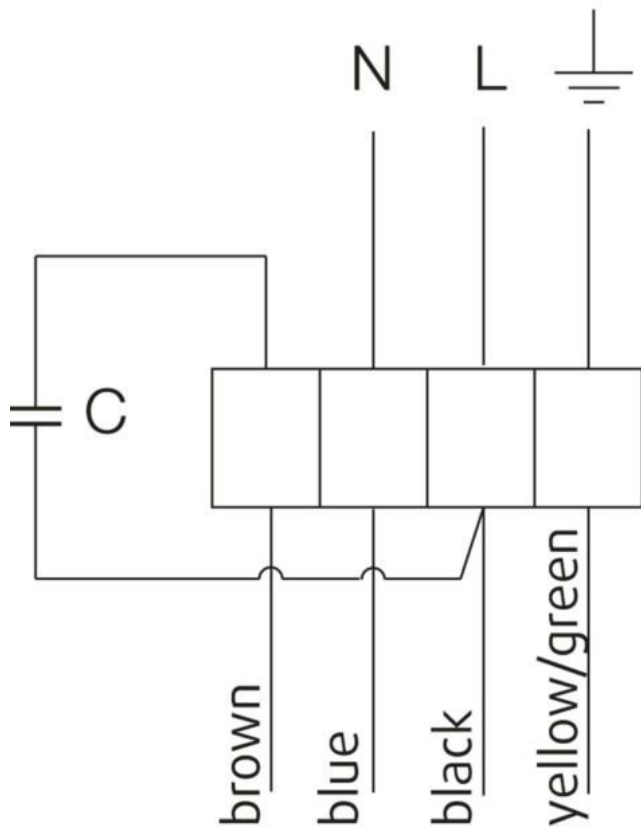
Dimension



	ØA	ØB	C	D	□E	□F
KV 200	199	336	30	158	394	425

Wiring

230V 1~



U1 = blue = blau

U2 = black = schwarz

Z = brown = braun

PE = yellow/green = grün-gelb

Ecodesign

Product	
Trade name	Systemair
Product name	KV 200 L sileo
Ecodesign	
ErP compliance	2018
Unit category	NRVU
Drive	External MSD or VSD
Unit type	UVU
Heat recovery type	None
Temperature ratio (UVU)	Not applicable
qv nom	0.153 m ³ /s
P nom	0.152 kW
Ps nom	347 Pa
Fan efficiency	35 %
External Leakage	5 %
Sound power level LWA	70 dB(A)

Accessories

- RE 1,5 Speed control (5000)
- REPT 6 Digital regulator (5698)
- REV-3POL/03-7,5kW R/Y (33978)
- VKK-200 Back draft damper (1626)
- DTV500A (96807)
- IGK-200 Wall Grid (1633)
- RT 0-30 Room Thermostat (5151)
- CBMF 200-3,0 230V/1 Duct heater (12245)
- CWK 200-3-2,5 Duct cooler, circ (30023)
- FGR 200 Filter cassette (1812)
- LDC 200-300 Silencer (53369)
- LDC 200-900 Silencer (5195)
- VBC 200-2 Water heating batt (5459)
- VK-35 Louvre shutter (5642)
- REE 1 Speed control (5314)
- REU 1.5 Speed control (5004)
- SG 200 Protection guard (5609)
- CO2RT-R-D Transmitter (6993)
- HR1 Room Humidistat (215150)
- Presence detector/IR24-P (6995)
- CBM 200-5,0 400V/2 Duct heater (5483)
- CBMF 200-5,0 400V/2 Duct heater (12246)
- FFR 200 Filter cassette (1773)
- FK 200 Fast clamp (1611)
- LDC 200-600 Silencer (5194)
- RSK-200 Back draft damper (5602)
- VBC 200-3 Water heating batt (9841)

Documents

- Fans_Operating and Maintenance_instr_202341_CE_multilingual.pdf

Specification

KV 200L TW Circular duct fan

DN200, 230V50Hz, 1~, imp. backw. curved

Circular duct fan for wall mounting, easy and direct installation in ducts.

Galvanized sheet steel housing.

Circular connection spigot, length 25mm, acc. to EN1506:1997

Free-running, backward curved centrifugal impeller made of plastic.

Balancing made to G 6.3, motor compl. with impeller statically and dynamically balanced in two planes acc. to DIN ISO 1940 T.1.

Voltage controllable external rotor motor, maintenance-free, the motor is placed inside the air flow for cooling. Integral thermal contacts with manual reset acc. to EN 60335-2-80, speed-controlled via a 5-step transformer or a stepless thyristor. Silent, long-life ball bearings. Terminal box (IP55) on the casing.

Mounting brackets included in delivery.

For indoor, outdoor installation as well as in wet areas.

Air leakage class C acc. to EN 12237:2003.

Installation in any mounting position.

PRODUCT: SYSTEMAIR

TYPE: KV 200L TW

Item no.1216