

K 125 EC sileo

Centrifugal circular duct fan, <125W

Item number: 16956

Variant: 230V 1~ 50/60Hz



- EC-motors, high level of efficiency
- 100% speed controllable
- Integrated motor protection
- Supplied with mounting bracket

EC technology is intelligent technology; using integral electronic control which eliminates the slip losses in the motor and ensures that the motor always runs at optimal load.

This guarantees that the proportion of energy utilized effectively is many times higher and the energy usage considerably lower compared with AC motors.

EC fans are notable for their economical use of energy and excellent ease of control. They can be varied in speed to match the airflow demand, and operate at high efficiency levels. For the same air volume, they consume distinctly less energy than AC fan drives.

Another special feature of EC fans is their energy-saving potential not only at full load, but especially at part-load. When operating at part-load, the energy used is much lower than with an asynchronous motor of equivalent output.

Reduced energy usage guarantees a drop in operating costs.

The K EC series is designed for installation in ducts. All the K-fans have minimum 25 mm long spigot connections. The fans have backward-curved blades and external rotor motors (EC). The FK mounting clamp facilitates easy installation and removal, and prevents the transfer of vibration to the duct. The fans are delivered with a pre-wired potentiometer(0-10V) that allows you to easily find the desired working point.

Motor protection is integrated in the electronics of the motor. The casing is manufactured from galvanised sheet steel with the seams folded to give the fan a close to air tight casing.



Technical parameters

Nominal data		
Voltage (nominal)	230	V
Frequency	50; 60	Hz
Phase(s)	1~	
Input power	83	W
Input current	0.678	A
Impeller speed	3,308	r.p.m.
Air flow	max 482	m³/h
Temperature of transported air	max 60	°C
Max temperature of transported air, when speed controlled	60	°C

Sound data

Sound pressure level at 3m (20m² Sabin)	46 dB(A)
---	----------

Protection/Classification

Enclosure class, motor	IP54
------------------------	------

Insulation class	B
------------------	---

Data according to ErP

ErP ready	ErP 2016; ErP 2018
-----------	--------------------

Dimensions and weights

Duct dimension; Circular, inlet	125 mm
---------------------------------	--------

Duct dimension; Circular, outlet	125 mm
----------------------------------	--------

Weight	2.8 kg
--------	--------

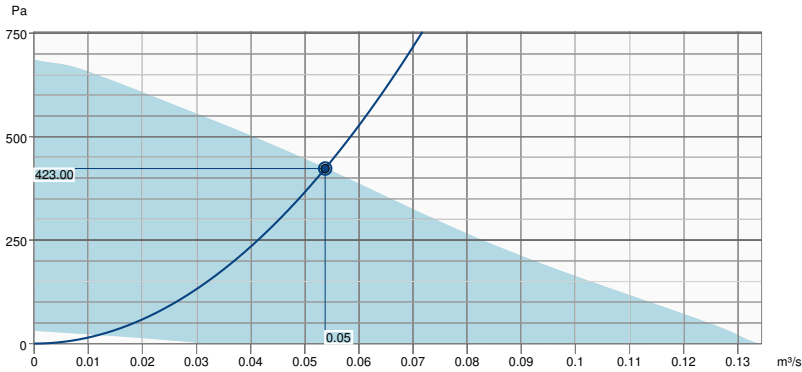
Others

Duct connection type	Circular
----------------------	----------

Motor type	EC
------------	----

Performance

Performance curve



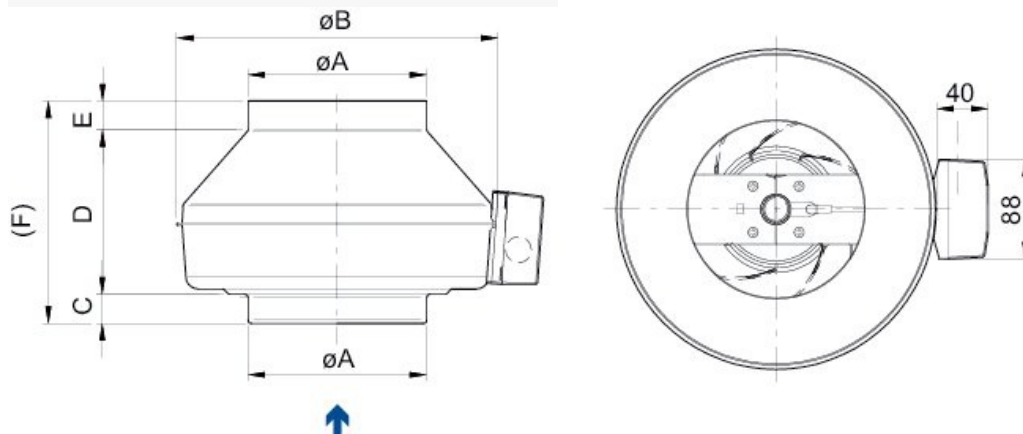
Hydraulic data

Required air flow	0.05 m³/s
Required static pressure	423.00 Pa
Working air flow	0.05 m³/s
Working static pressure	423.00 Pa
Air density	1.20 kg/m³
Power	78.93 W
Fan control - RPM	57.88 Hz
Current	0.64 A
SFP	1.47 kW/m³/s
Control voltage	10.00 V
Supply voltage	230.00 V

Sound power level		63	125	250	500	1k	2k	4k	8k	Total
Inlet	dB(A)	52	65	75	73	72	66	61	52	79
Outlet	dB(A)	51	66	72	72	69	66	60	51	77
Surrounding	dB(A)	16	14	37	48	48	44	44	34	53
Sound pressure level at 3m (20m² Sabine)	dB(A)	-	-	-	-	-	-	-	-	46
Sound pressure level at 3m free field	dB(A)	-	-	-	-	-	-	-	-	32

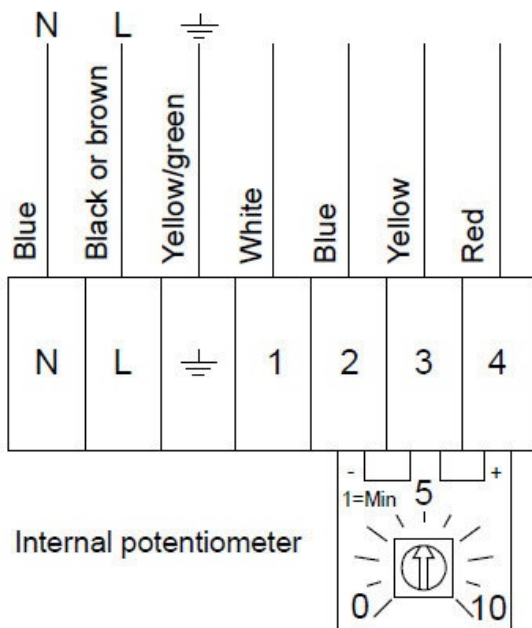
Dimension

	$\varnothing A$	$\varnothing B$	C	D	E	(F)
K 100 EC	99	246	26	161	26	213
K 125 EC	124	246	26	151	26	203
K 150 EC	149	286	25	152	25	202
K 160 EC	159	286	25	147	26	198
K 200 EC	199	336	30	148	27	205
K 250 EC	249	336	30,5	144,5	27	202
K 315 M EC	314	408	32,5	160,5	27	220
K 315 L EC	314	408	37,5	160,5	27	225



Wiring

230V 1~



Terminal	Cable	Description
1	White	Tacho output, Isink max 10mA
2	Blue	GND
3	Yellow	Control input 0-10 VDC/PWM
4	Red	Output 10 VDC max 1.1 mA

Internal potentiometer is mounted (removable) on the terminal block from the factory.

Ecodesign

Product	
Trade name	Systemair
Product name	K 125 EC Circular duct fan
Ecodesign	
ErP compliance	2018
Unit category	NRVU
Drive	Integrated VSD
Unit type	UVU
Heat recovery type	None
Temperature ratio (UVU)	Not applicable
qv nom	0.0538 m ³ /s
P nom	0.079 kW
Ps nom	423 Pa
Fan efficiency	29 %
External Leakage	0 %
Sound power level LWA	43 dB(A)

Accessories

- CXE/AVC Modbus (37256)
- EC-Basic-H humidity (24807)
- EC-Basic-U universal 0-10V (24806)
- EC-Vent control board (3115)
- IGC-125 Intake grille (76875)
- MTP 20, on/off, 3-step (310220)
- REV-3POL/03 ON/OFF (33978)
- VKK-125 Back draft damper (1624)
- HR1 Room Humidistat (215150)
- Presence detector/IR24-P (6995)
- Safety switch 2-pole grey (210679)
- CB 125-0,6 230V/1 Duct heater (5289)
- CB 125-1,8 230V/1 Duct heater (5377)
- CBMF 125-1,2 230V/1 Duct heater (12242)
- FFR 125 Filter cassette (1768)
- FK 125 Fast clamp (1608)
- LDC 125-600 Silencer (5190)
- RSK-125 Back draft damper (5598)
- VBF 125 Water heating battery (1730)
- EC-Basic-CO2 and temperature (24808)
- EC-Basic-T temperature (24805)
- EC-Selector (9908)
- EC-Vent Room Unit (3018)
- MTP 10, 10K, Speed control (32731)
- MTV-1/010 Controller 0..10V+ (30650)
- SG 125 Protection guard (5607)
- CO2RT-R-D Transmitter (6993)
- IGK-125 Wall Grid (1631)
- RT 0-30 Room Thermostat (5151)
- VBC 125-3 Water heating batt (9839)
- CB 125-1,2 230V/1 Duct heater (5290)
- CBM 125-1,2 230V/1 Duct heater (5480)
- CWK 125-3-2,5 Duct cooler,circ (30021)
- FGR 125 Filter cassette (1804)
- LDC 125-300 Silencer (53722)
- LDC 125-900 Silencer (5191)
- VBC 125-2 Water heating batt (5457)
- VK-12 Louvre-shutter (87685)

Documents

- EC-fans_Operating_and_Maintenance_instr_206268_CE_multilingual.pdf