

K 250 L sileo

Item Number: 19512

Variant: 230V 1~ 50Hz



- Speed-controllable
- Integral thermal contacts
- Can be installed in any position
- Can be installed outdoors
- Maintenance-free and reliable

The K series is designed for installation in ducts. All the K-fans have minimum 25 mm long spigot connections.

The fans have backward-curved blades and external rotor motors. To simplify the installation the K-fan has a fixing bracket together with screws for mounting the bracket included as standard. The FK mounting clamp facilitates easy installation and removal, and prevents the transfer of vibration to the duct. The fans can be speed-controlled via a stepless thyristor or a 5-step transformer.

To protect the motor from overheating the fan has integral thermal contacts with manual reset. The casing is manufactured from galvanised sheet steel and folded which gives the fan a close to air tight casing. Duct connected outdoor and wet room applications of the fan are possible due to the air tight casing



Technical parameters

Norminal data

Voltage (nominal)	230	V
Frequency	50	Hz
Phase(s)	1~	
Input power	147	W
Input current	0.632	A
Impeller speed	2,555	r.p.m.
Air flow	max 950	m ³ /h
Capacitance of capacitor	35	µF
Temperature of transported air	max 70	°C
Max temperature of transported air, when speed controlled	70	°C

Sound data

Sound pressure level at 3m (20m ² Sabin)	47	dB(A)
---	----	-------

Protection/Classification

Enclosure class, motor	IP44
Insulation class	F

Data according to ErP

ErP ready	ErP 2016; ErP 2018
-----------	--------------------

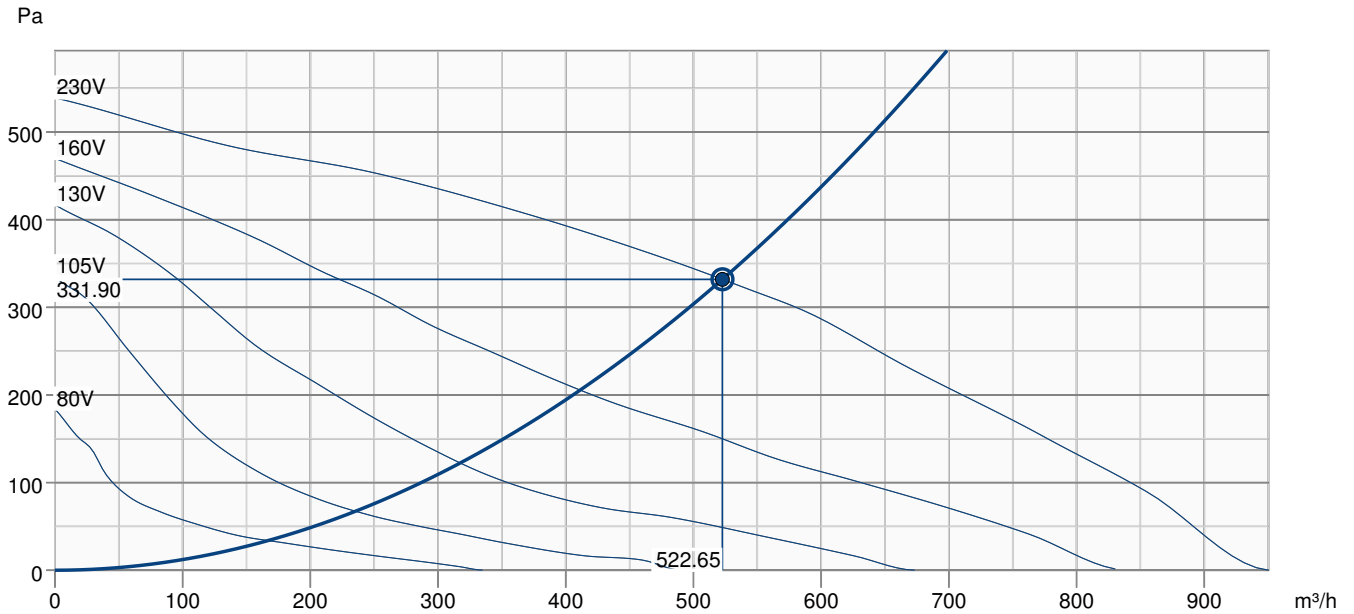
Dimensions and weights

Duct dimension; Circular, inlet	250	mm
Duct dimension; Circular, outlet	250	mm
Weight	4.6	kg

Others

Duct connection type	Circular
Motor type	AC

Performance curve

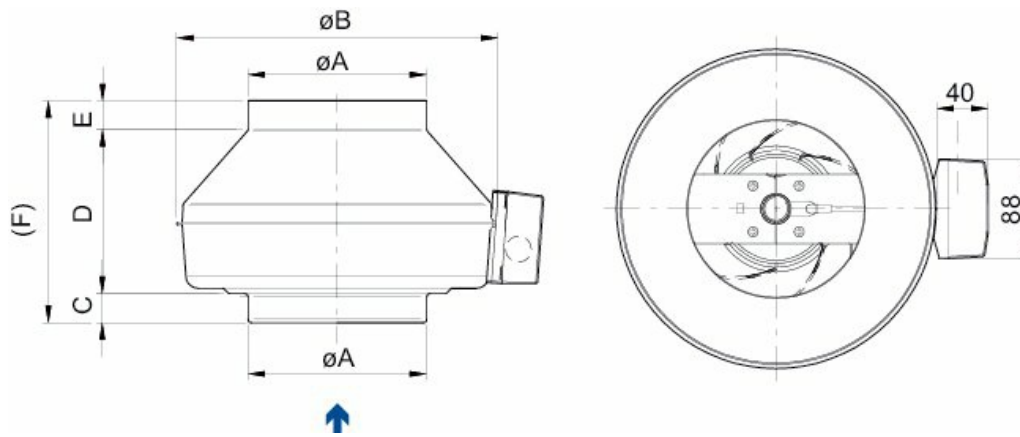


Hydraulic data

Required air flow	523 m³/h
Required static pressure	332 Pa
Working air flow	523 m³/h
Working static pressure	332 Pa
Air density	1.204 kg/m³
Power	145.3 W
Fan control - RPM	2549 rpm
Current	0.62 A
SFP	1.001 kW/m³/s
Control voltage	230.0 V
Supply voltage	230 V

Sound power level		63	125	250	500	1k	2k	4k	8k	Total
Inlet	dB(A)	52	60	65	61	64	61	60	51	70
Outlet	dB(A)	48	62	64	61	65	64	61	52	71
Surrounding	dB(A)	29	29	43	44	45	43	40	29	50
Sound pressure level at 3m (20m² Sabine)	dB(A)	-	-	-	-	-	-	-	-	43
Sound pressure level at 3m free field	dB(A)	-	-	-	-	-	-	-	-	29

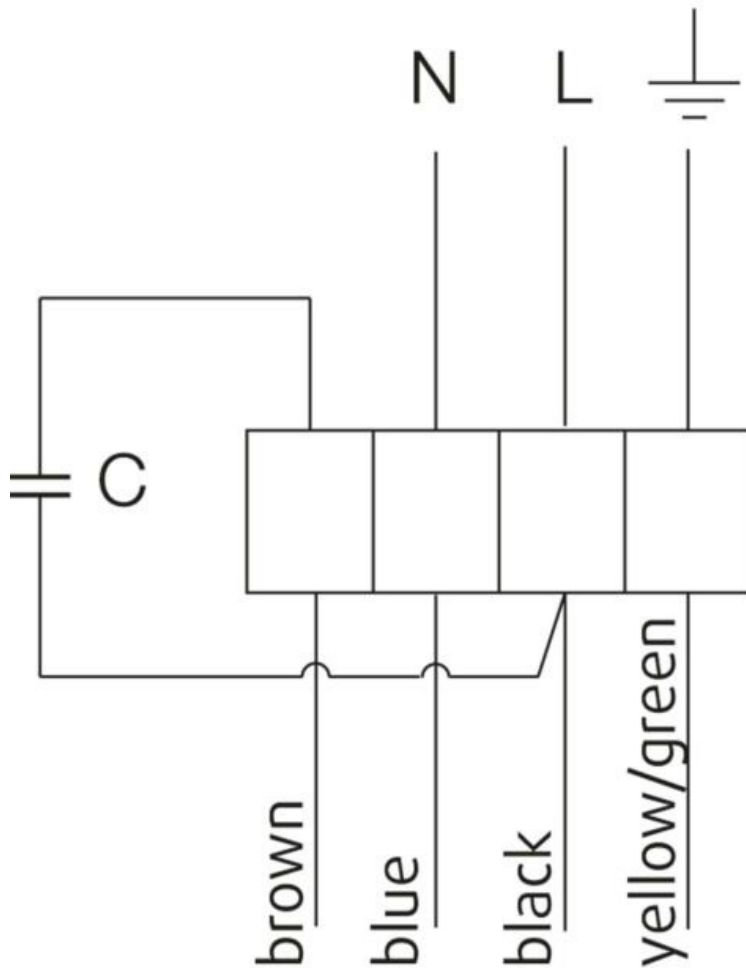
Dimension



K	øA	øB	C	D	E	F
100 M	99	218	26	166	26	218
100 XL	99	246	26	161	26	213
125 M	124	218	27	142	27	196
125 XL	124	246	26	151	26	203
160 M	159	286	25	147	26	198
160 XL	159	336	29	166	26	221
200 M	199	336	30	148	27	205
200 L	199	336	30	174	27	231
250 M	249	336	30,5	119,5	27	177
250 L	249	336	30,5	144,5	27	202
315 sileo/315 M	314	408	32,5	160,5	27	220
315 L	314	408	38	161	27	225

Wiring

230V 1~



Ecodesign

Product	
Trade name	Systemair
Product name	K 250 L Sileo
Ecodesign	
ErP compliance	2018
Unit category	NRVU
Drive	External MSD or VSD
Unit type	UVU
Heat recovery type	None
Temperature ratio (UVU)	Not applicable
qv nom	0.1498 m ³ /s
P nom	0.143 kW
Ps nom	315 Pa
Fan efficiency	33 %
External Leakage	0 %
Sound power level LWA	43 dB(A)

Accessories

- CB 250-3,0 230V/1 Duct heater (5385)
- CB 250-9,0 400V/3 Duct heater (5373)
- CO2RT-R-D Transmitter (6993)
- DTV500A (96807)
- FGR 250 Filter cassette (1815)
- FRQ5S-E-6A (37421)
- LDC 250-900 Silencer (5196)
- RE 1,5 Speed control (5000)
- REPT 6 Digital regulator (5698)
- REU 1.5 Speed control (5004)
- RSK-250 Back draft damper (5603)
- Safety switch 2-pole grey (210679)
- T 120 Timer (5165)
- VBC 250-3 Water heating batt (9843)
- VK-25 Louvre shutter (5640)
- CB 250-6,0 400V/2 Duct heater (5372)
- CBM 250-6,0 400V/2 Duct heater (9089)
- CWK 250-3-2,5 Duct cooler,circ (30024)
- FFR 250 Filter cassette (1776)
- FK 250 Fast clamp (1612)
- FRQS-E-6A (37419)
- Presence detector/IR24-P (6995)
- REE 1 Speed control (5314)
- RETP 6 Temp/Pressure regulator (32293)
- REV-3POL/03 ON/OFF (33978)
- RT 0-30 Room Thermostat (5151)
- SG 250 Protection guard (5610)
- VBC 250-2 Water heating batt (5460)
- VBF 250 Water heating battery (1733)
- VKK-250 Back draft damper (1627)

Documents

- Fans_Operating and Maintenance_instr_202341_CE_multilingual.pdf
- K fan mounting.wmv