

K 315 L sileo

Centrifugal circular duct fan

Item Number: 19514

Variant: 230V 1~ 50Hz

- Speed-controllable
- Integral thermal contacts
- Can be installed in any position
- Can be installed outdoors
- Maintenance-free and reliable

The K series is designed for installation in ducts. All the K-fans have minimum 25 mm long spigot connections.

The fans have backward-curved blades and external rotor motors. To simplify the installation the K-fan has a fixing bracket together with screws for mounting the bracket included as standard. The FK mounting clamp facilitates easy installation and removal, and prevents the transfer of vibration to the duct. The fans can be speed-controlled via a stepless thyristor or a 5-step transformer.

To protect the motor from overheating the fan has integral thermal contacts with manual reset. The casing is manufactured from galvanised sheet steel and folded which gives the fan a close to air tight casing. Duct connected outdoor and wet room applications of the fan are possible due to the air tight casing.



Technical parameters

Nominal data		
Voltage (nominal)	230	V
Frequency	50	Hz
Phase(s)	1~	
Input power	318	W
Input current	1.39	A
Impeller speed	2,318	rpm
Air flow	max 0.48	m³/s
Capacitance of capacitor	7	µF
Temperature of transported air	max 57	°C
Max temperature of transported air, when speed controlled	52	°C
Sound data		
Sound pressure level at 3m (20m² Sabin)	50	dB(A)
Protection/Classification		
Enclosure class, motor	IP44	
Insulation class	F	

Data according to ErP

ErP ready

Not ErP relevant

Dimensions and weights

Duct dimension; Circular, inlet

315 mm

Duct dimension; Circular, outlet

315 mm

Weight

6.6 kg

Others

Duct connection type

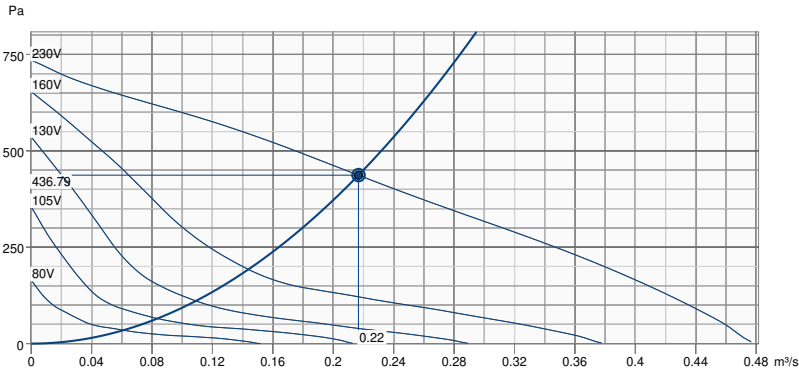
Circular

Motor type

AC

Performance

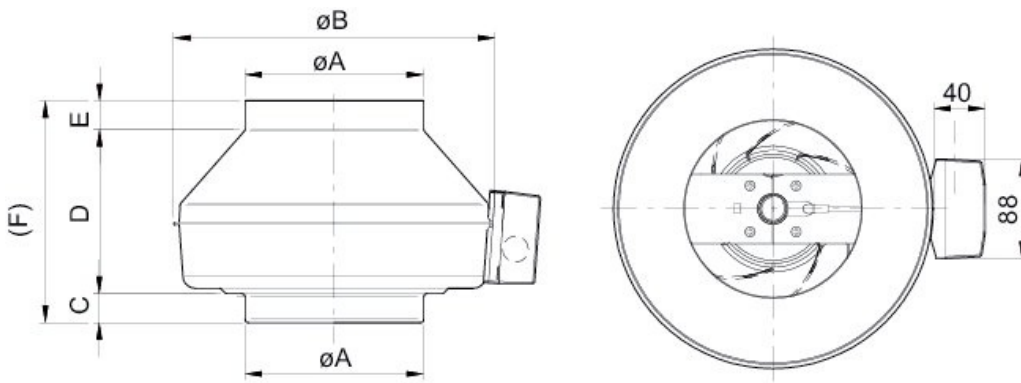
Performance curve



Hydraulic data	
Required air flow	0.22 m³/s
Required static pressure	437 Pa
Working air flow	0.22 m³/s
Working static pressure	437 Pa
Air density	1.204 kg/m³
Power	311.4 W
Fan control - RPM	2438 rpm
Current	1.30 A
SFP	1.437 kW/m³/s
Control voltage	230.0 V
Supply voltage	230 V

Sound power level		63	125	250	500	1k	2k	4k	8k	Total
Inlet	dB(A)	55	66	68	69	67	65	62	58	75
Outlet	dB(A)	58	69	70	72	70	70	63	57	78
Surrounding	dB(A)	27	34	50	56	46	50	46	39	59
Sound pressure level at 3m (20m² Sabine)	dB(A)	-	-	-	-	-	-	-	-	52
Sound pressure level at 3m free field	dB(A)	-	-	-	-	-	-	-	-	38

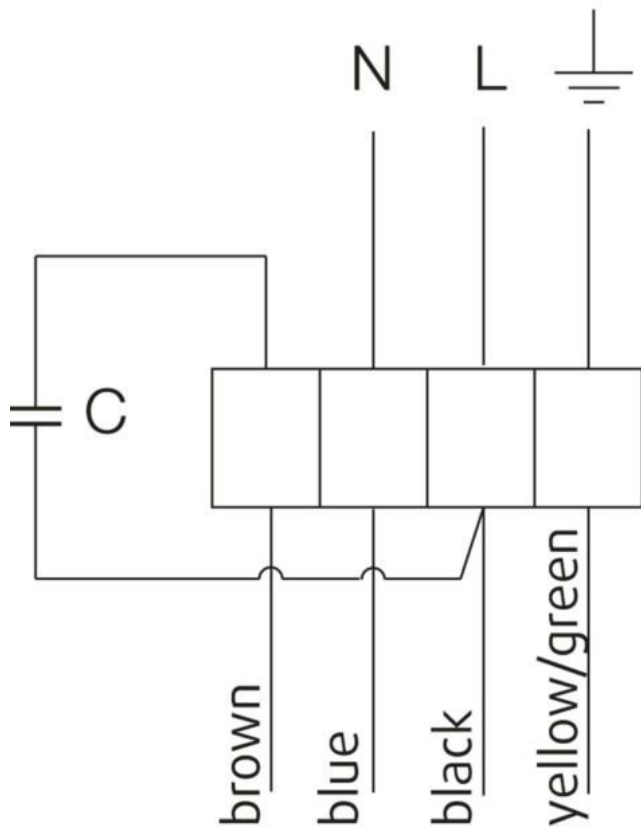
Dimension



$\varnothing A$	$\varnothing B$	C	D	E	F
314	408	38	161	27	225

Wiring

230V 1~



U1 = blue = blau

U2 = black = schwarz

Z = brown = braun

PE = yellow/green = grün-gelb

Accessories

- FRQ5S-E-6A (37421)
- REE 2 Speed control (5316)
- RETP 6 Temp/Pressure regulator (32293)
- REV-3POL/03-7,5kW R/Y (33978)
- VKK-315 Back draft damper (1628)
- CO2RT-R-D Transmitter (6993)
- FRQS-E-6A (37419)
- Presence detector/IR24-P (6995)
- CB 315-12,0 400V/3 Duct heater (5387)
- CB 315-9,0 400V/3 Duct heater (5375)
- CBMF 315-9,0 400V/3 Duct heater (12354)
- FFR 315 Filter cassette (1779)
- FK 315 Fast clamp (1613)
- RSK-315 Back draft damper (5604)
- VBC 315-3 Water heating batt (9844)
- VK-30 Louvre shutter (5641)
- RE 1,5 Speed control (5000)
- REPT 6 Digital regulator (5698)
- REU 1.5 Speed control (5004)
- SG 315 Protection guard (5611)
- CB 315-6,0 400V/2 Duct heater (5374)
- DTV500A (96807)
- HR1 Room Humidistat (215150)
- RT 0-30 Room Thermostat (5151)
- CB 315-3,0 230V/1 Duct heater (5386)
- CBM 315-9,0 400V/3 Duct heater (5485)
- CWK 315-3-2,5 Duct cooler,circ (30025)
- FGR 315 Filter cassette (1818)
- LDC 315-900 Silencer (5197)
- VBC 315-2 Water heating batt (5461)
- VBF 315 Water heating battery (1734)

Documents

- 132780_FANS_INSTRUCTIONS_OUTSIDE_EU_A002.PDF
- K fan mounting.wmv

Specification

K 315L Circular duct fan made of steel

DN 315, 230V/50Hz, 1~, imp. backw. curved

Centrifugal circular duct fan designed for easy and direct installation in ducts.

The casing is manufactured from galvanised sheet steel and airtight folded, air leakage class C acc. to EN 12237:2003

Circular connection spigot, length 25mm, acc. to EN1506:1997

Free-running, backward curved centrifugal impeller made of plastic.

Balancing made to G 6.3, motor compl. with impeller statically and dynamically balanced in two planes acc. to DIN ISO 1940 T.1.

Voltage controllable external rotor motor

(IP44), maintenance-free, the motor is placed inside the air flow for cooling. Integral thermal contacts with manual reset acc. to EN 60335-2-80, speed-controlled via a 5-step transformer or a stepless thyristor. Silent, long-life ball bearings. Terminal box (IP55) on the casing

Mounting bracket included in delivery (unmounted).

For indoor, outdoor installation as well as in wet areas.

PRODUCT: SYSTEMAIR

TYPE: K 315L

Item no.1012