

## MUB 025 355EV sileo Multibox

Centrifugal box fan, insulated, flexible outlet

Item Number: 235401

Variant: 230V 1~ 50Hz - 90° air flow



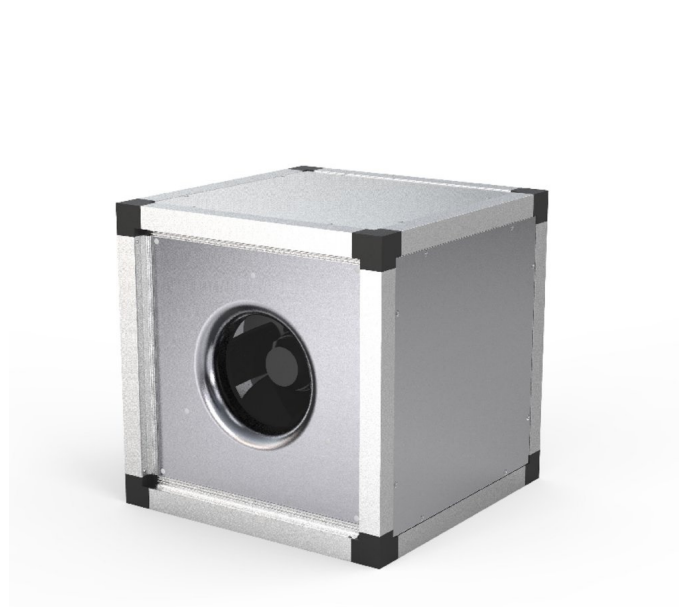
- Speed-controllable
- Modular system
- Integral thermal contacts
- Low sound level
- Flexible airflow direction due to removable panels
- Installation in any mounting position
- Maintenance-free and reliable

The MUB fans size 355 have 3D profiled impellers with backward curved blades, manufactured from polyamide. The MUB 355 is equipped with external rotor motors, fully speed controllable. For speed controlling with a frequency converter a type with all pole sine filter is needed!. The three phase motors are D/Y connected for two speed operation. Motor protection is done by thermal contacts, which have to be connected to an external motor protection device. The casing consists of a corrosion-resistant aluminium frame with fibreglass reinforced plastic corners of PA6; highly shockresistant.

The double skin panels are manufactured from galvanised steel with 30 mm mineral wool insulation. To avoid condensation the profile is provided with a separate chamber to fix screws. The Multibox fans are delivered for straight through airflow but can easily be rebuilt due to removable panels. This allows flexible ventilation solutions. The MUB can also be used as extract- or supply air unit in air handling units. Installation in any mounting position is possible.

MUB with additional modules (filters, heaters etc.) are available as air handling units "K025, K042 or K062" on request!

Note! Motors marked with E (e.g. E4) is 1-phased



### Technical parameters

**Nominal data**

Voltage (nominal)	230	V
Frequency	50	Hz
Phase(s)	1~	
Input power	267	W
Input current	1.18	A
Impeller speed	1,308	r.p.m.
Air flow	max 0.842	m³/s
Capacitance of capacitor	6	µF
Temperature of transported air	max 60	°C
Max temperature of transported air, when speed controlled	60	°C

**Protection/Classification**

Enclosure class, motor	IP44	
Insulation class	F	

**Data according to ErP**

ErP ready	ErP 2016; ErP 2018	
-----------	--------------------	--

**Dimensions and weights**

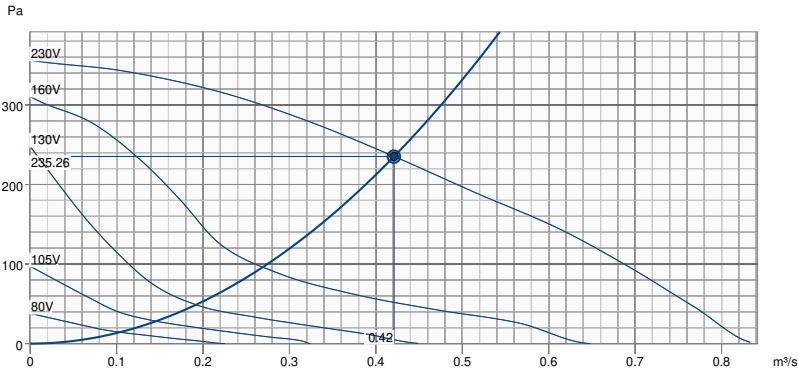
Weight	31	kg
--------	----	----

**Others**

Motor type	AC	
------------	----	--

# Performance

## Performance curve

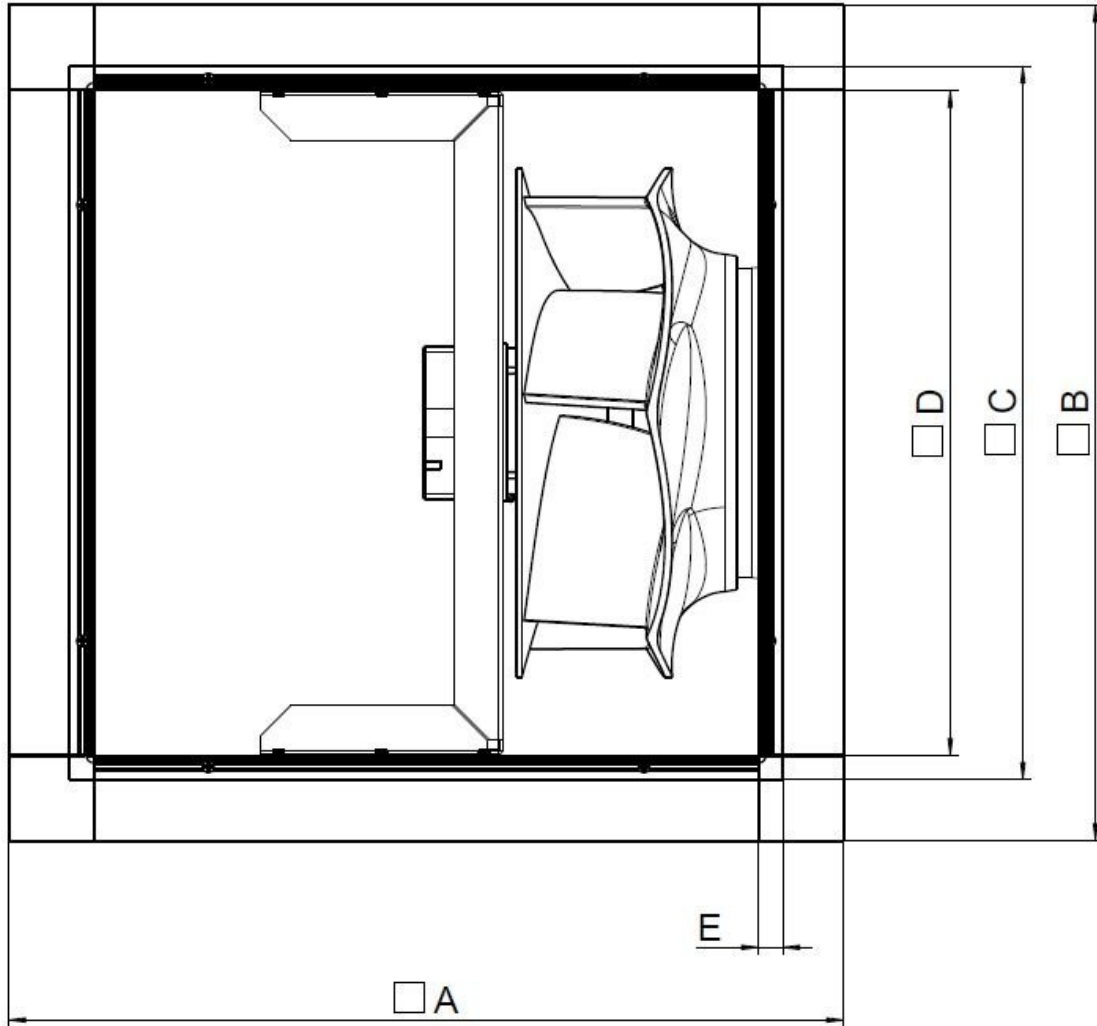


Hydraulic data	
Required air flow	0.42 m³/s
Required static pressure	235 Pa
Working air flow	0.42 m³/s
Working static pressure	235 Pa
Air density	1.204 kg/m³
Power	263.6 W
Fan control - RPM	1312 rpm
Current	1.17 A
SFP	0.626 kW/m³/s
Control voltage	230.0 V
Supply voltage	230 V

Sound power level		63	125	250	500	1k	2k	4k	8k	Total
Inlet	dB(A)	34	58	55	60	64	60	56	47	68
Outlet	dB(A)	35	59	56	62	66	61	58	48	69
Surrounding	dB(A)	13	39	30	29	34	33	24	11	41
Sound pressure level at 3m (20m² Sabine)	dB(A)	-	-	-	-	-	-	-	-	34
Sound pressure level at 3m free field	dB(A)	-	-	-	-	-	-	-	-	20

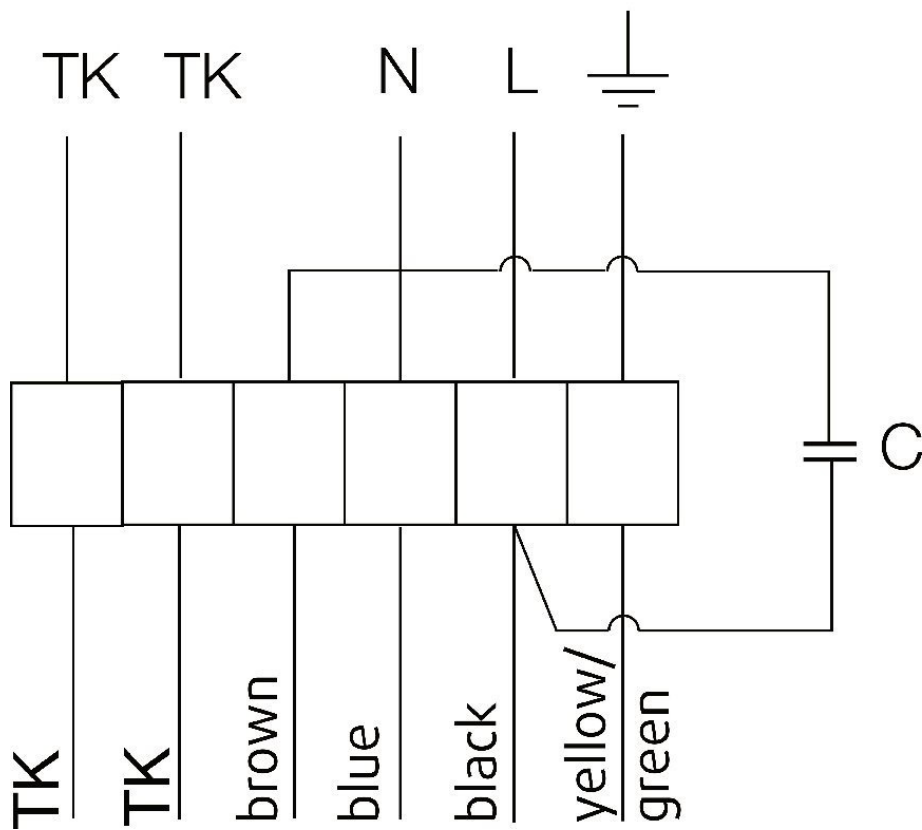
## Dimension

MUB 025	□A	□B	□C	□D	E
315/355	520	520	420	378	21



## Wiring

230V 1~



## Acoustic

The Level of Casing-Breakout-Noise depends on the quality of shielding the acoustic inlet and outlet noises.

The shown Level of Casing-Breakout-Noise will be reached only in case of 100 % shielding the acoustic inlet and outlet noise and a correspondingly low environment noise.

## Ecodesign

Product	
Trade name	Systemair
Product name	MUB 025 355EV
Ecodesign	
ErP compliance	2018
Unit category	NRVU
Drive	External MSD or VSD
Unit type	UVU
Heat recovery type	None
Temperature ratio (UVU)	Not applicable
qv nom	0.421 m <sup>3</sup> /s
P nom	0.264 kW
Ps nom	235 Pa
Fan efficiency	37.5 %
External Leakage	5 %
Sound power level LWA	69 dB(A)

## Accessories

- FGV 025/416-416 flex. conn. (4196)
- REE 2 Speed control (5316)
- REV-5POL/05-7,5kW R/Y (33979)
- S-ET 10 Motor Protection (161199)
- TUNE-AHU-DE006-025-418x418-M0 (79880)
- WSD 025 (560x560x70) complete (31480)
- CCM inlet MUB025 d315 (312562)
- CCM outlet MUB025 d315 (312535)
- CCMI outlet 025 d315 KIT 30mm (239091)
- GRU 025 base frame h= 100mm (276660)
- KKC-DX-R 025 cooling section (277264)
- KKC-W-R 025 cooling section (277272)
- KKH-HW 025 heater-section (93334)
- FRQ5S-E-6A (37421)
- REU 1.5 Speed control (5004)
- RTRE 1,5 Speed control (5008)
- SD-MUB Vibration pad set (37324)
- UGS 025/355 adapter flex. (4356)
- FRQS-E-6A (37419)
- CCM inlet MUB025 d355 (312718)
- CCM outlet MUB025 d355 (312719)
- CCMI outlet 025 d355 KIT 30mm (239092)
- KKC-DX-L 025 cooling section (277260)
- KKC-W-L 025 cooling section (277268)
- KKF 30 025-filter-section (93310)
- KKS 025 silencer-section (276850)

## Documents

- imo\_mub\_all\_010\_en\_248056
- UKCA DECLARATION OF CONFORMITY\_MUB\_EN\_[001].PDF
- COMMISSIONING REPORT\_FANS\_160628\_EN\_001.PDF