

MUB 042 450EV sileo Multibox

Centrifugal box fan, insulated, flexible outlet

Item Number: 235407

Variant: 230V 1~ 50Hz - 90° air flow



- Speed-controllable
- Modular system
- Integral thermal contacts
- Low sound level
- Flexible airflow direction due to removable panels
- Installation in any mounting position
- Maintenance-free and reliable

The MUB fans size 450 have 3D profiled impellers with backward curved blades, manufactured from polyamide. The MUB 450 is equipped with external rotor motors, fully speed controllable. For speed controlling with a frequency converter a type with all pole sine filter is needed!. The three phase motors are D/Y connected for two speed operation. Motor protection is done by thermal contacts, which have to be connected to an external motor protection device. The casing consists of a corrosion-resistant aluminium frame with fibreglass reinforced plastic corners of PA6; highly shock-resistant.

The double skin panels are manufactured from galvanised steel with 30 mm mineral wool insulation. To avoid condensation the profile is provided with a separate chamber to fix screws. The Multibox fans are delivered for straight through airflow but can easily be rebuilt due to removable panels. This allows flexible ventilation solutions. The MUB can also be used as extract- or supply air unit in air handling units. Installation in any mounting position is possible.

MUB with additional modules (filters, heaters etc.) are available as air handling units "K025, K042 or K062" on request!



Technical parameters

Nominal data		
Voltage (nominal)	230	V
Frequency	50	Hz
Phase(s)	1~	
Input power	752	W
Input current	31	A
Impeller speed	1,369	r.p.m.
Air flow	max 1.608	m³/s
Capacitance of capacitor	16	µF
Temperature of transported air	max 65	°C
Max temperature of transported air, when speed controlled	65	°C

Protection/Classification

Enclosure class, motor	IP54
------------------------	------

Insulation class	F
------------------	---

Data according to ErP

ErP ready	ErP 2018
-----------	----------

Dimensions and weights

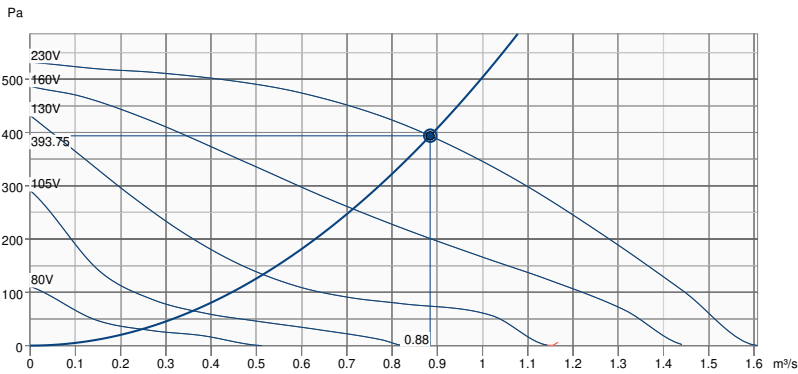
Weight	59.5 kg
--------	---------

Others

Motor type	AC
------------	----

Performance

Performance curve

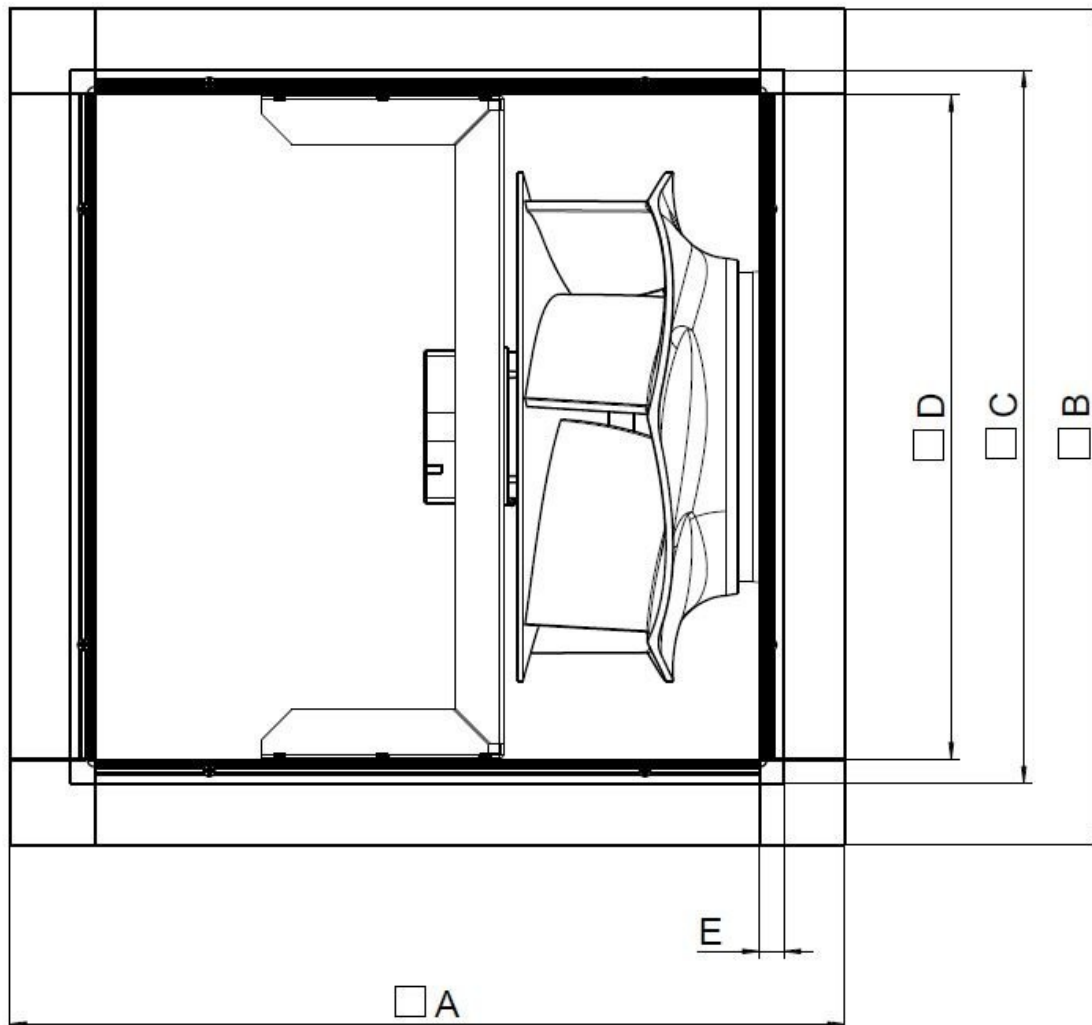


Hydraulic data	
Required air flow	0.88 m³/s
Required static pressure	394 Pa
Working air flow	0.88 m³/s
Working static pressure	394 Pa
Air density	1.204 kg/m³
Power	751.1 W
Fan control - RPM	1369 rpm
Current	3.10 A
SFP	0.849 kW/m³/s
Control voltage	230.0 V
Supply voltage	230 V

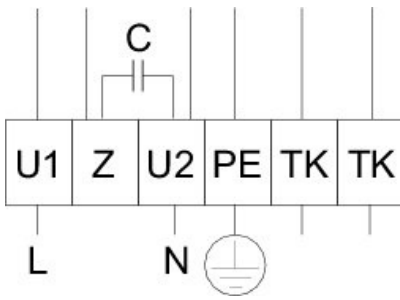
Sound power level		63	125	250	500	1k	2k	4k	8k	Total
Inlet	dB(A)	46	59	62	67	72	70	63	55	75
Outlet	dB(A)	47	61	64	69	73	71	64	56	77
Surrounding	dB(A)	30	44	45	42	46	47	38	24	52
Sound pressure level at 3m (20m² Sabine)	dB(A)	-	-	-	-	-	-	-	-	45
Sound pressure level at 3m free field	dB(A)	-	-	-	-	-	-	-	-	31

Dimension

MUB 042	□A	□B	□C	□D	E
400/450/500	690	690	590	548	21



Wiring



Acoustic

The Level of Casing-Breakout-Noise depends on the quality of shielding the acoustic inlet and outlet noises.

The shown Level of Casing-Breakout-Noise will be reached only in case of 100 % shielding the acoustic inlet and outlet noise and a correspondingly low environment noise.

Ecodesign

Product	
Trade name	Systemair
Product name	MUB 042 450EV
Ecodesign	
ErP compliance	2018
Unit category	NRVU
Drive	External MSD or VSD
Unit type	UVU
Heat recovery type	None
Temperature ratio (UVU)	Not applicable
qv nom	0.884 m ³ /s
P nom	0.751 kW
Ps nom	394 Pa
Fan efficiency	46.3 %
External Leakage	5 %
Sound power level LWA	77 dB(A)

Accessories

- FGV 042/586-586 flex. conn. (4605)
- REE 4 Speed control (5317)
- REV-5POL/05-7,5kW R/Y (33979)
- S-ET 10 Motor Protection (161199)
- TUNE-AHU-DE007-042-588x588-M0 (79881)
- WSD 042 (730x730x70) complete (31481)
- CCM inlet MUB042 d400 (311780)
- CCM outlet MUB042 d400 (311682)
- CCMI outlet 042 d400 KIT 30mm (239093)
- GRU 042 base frame h= 100mm (276661)
- KKC-DX-R 042 cooling section (277265)
- KKC-W-R 042 cooling section (277273)
- KKH-HW 042 heater-section (93339)
- FRQ5S-E-6A (37421)
- REU 5 Speed control (5006)
- RTRE 5 Speed control (5010)
- SD-MUB Vibration pad set (37324)
- UGS 042/500 adapter flex. (4357)
- FRQS-E-6A (37419)
- CCM inlet MUB042 d500 (311781)
- CCM outlet MUB042 d500 (311683)
- CCMI outlet 042 d500 KIT 30mm (239094)
- KKC-DX-L 042 cooling section (277261)
- KKC-W-L 042 cooling section (277269)
- KKF 30 042-filter-section (93311)
- KKS 042 silencer-section (276851)

Documents

- imo_mub_all_010_en_248056
- UKCA DECLARATION OF CONFORMITY_MUB_EN_[001].PDF
- COMMISSIONING REPORT_FANS_160628_EN_001.PDF