

MUB 062 630DV sileo Multibox

Centrifugal box fan, insulated, flexible outlet

Item Number: 235408

Variant: 400V 3~ 50Hz - 90° air flow



- Speed-controllable
- Modular system
- Integral thermal contacts
- Low sound level
- Flexible airflow direction due to removable panels
- Installation in any mounting position
- Maintenance-free and reliable

The MUB fan size 630DV have 3D profiled impellers with backward curved blades, manufactured from polyamide. MUB 630DV is equipped with external rotor motors, fully speed controllable. For speed controlling with a frequency converter a type with all pole sine filter is needed!. The motors are D/Y connected for two speed operation. Motor protection is done by thermal contacts, which have to be connected to an external motor protection device. The casing consists of an aluminium frame with fibreglass reinforced plastic corners of PA6; highly shock-resistant. The double skin panels are manufactured from galvanised steel with 30 mm mineral wool insulation. To avoid condensation the profile is provided with a separate chamber to fix screws. The Multibox fans are delivered for straight through airflow but can easily be rebuilt due to removable panels. This allows flexible ventilation solutions. The MUB can also be used as extract- or supply air unit in air handling units. Installation in any mounting position is possible.



MUB with additional modules (filters, heaters etc.) are available as air handling units "K025, K042 or K062" on request!

Technical parameters

Nominal data		
Voltage (nominal)	400	V
Frequency	50	Hz
Phase(s)	3~	
Input power	2,638	W
Input current	4.77	A
Impeller speed	1,329	r.p.m.
Air flow	max 4.246	m³/s
Temperature of transported air	max 45	°C
Max temperature of transported air, when speed controlled	45	°C

Protection/Classification

Enclosure class, motor	IP54
------------------------	------

Insulation class	F
------------------	---

Data according to ErP

ErP ready	ErP 2016; ErP 2018
-----------	--------------------

Dimensions and weights

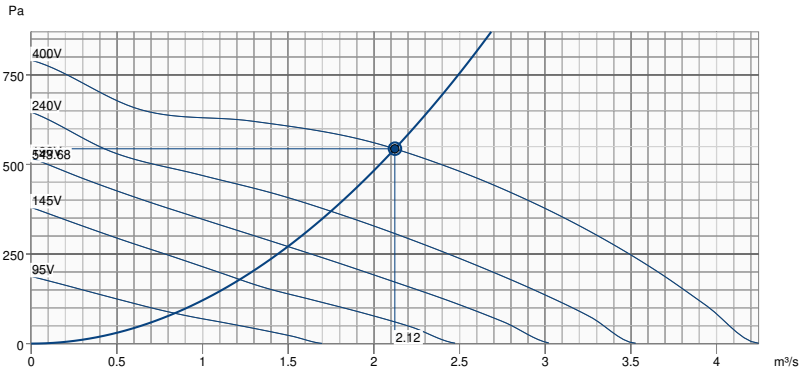
Weight	87 kg
--------	-------

Others

Motor type	AC
------------	----

Performance

Performance curve

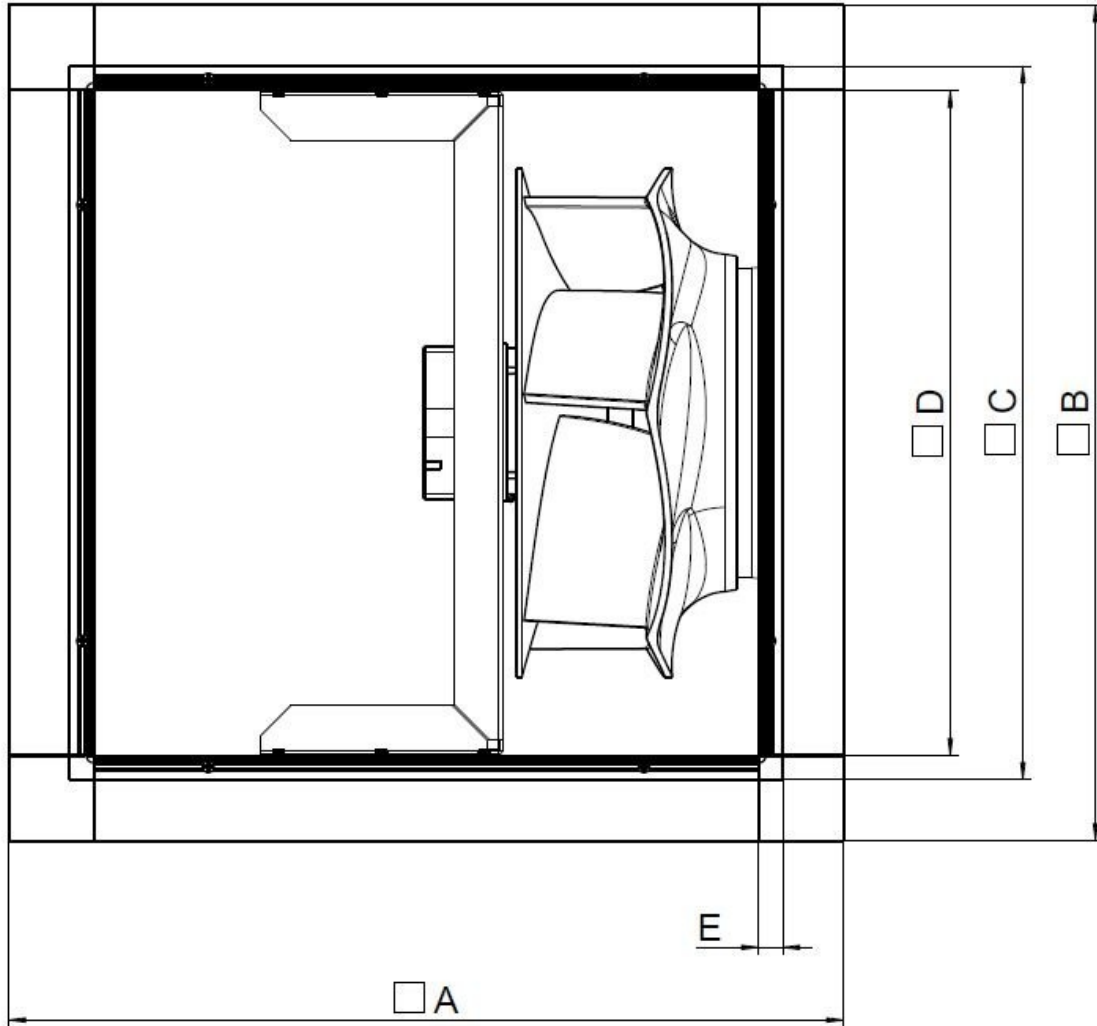


Hydraulic data	
Required air flow	2.12 m³/s
Required static pressure	544 Pa
Working air flow	2.12 m³/s
Working static pressure	544 Pa
Air density	1.204 kg/m³
Power	2407.3 W
Fan control - RPM	1347 rpm
Current	4.44 A
SFP	1.134 kW/m³/s
Control voltage	400.0 V
Supply voltage	400 V

Sound power level		63	125	250	500	1k	2k	4k	8k	Total
Inlet	dB(A)	59	70	71	75	78	75	72	65	82
Outlet	dB(A)	61	71	72	77	79	77	73	66	84
Surrounding	dB(A)	39	54	44	43	48	47	39	30	56
Sound pressure level at 3m (20m² Sabine)	dB(A)	-	-	-	-	-	-	-	-	49
Sound pressure level at 3m free field	dB(A)	-	-	-	-	-	-	-	-	35

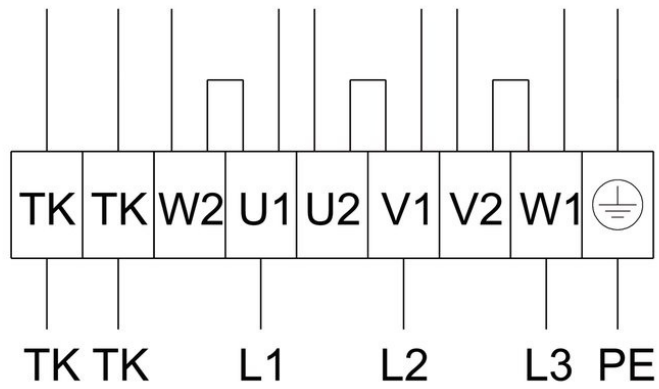
Dimension

MUB 062	□A	□B	□C	□D	E
560/630	820	820	720	678	21

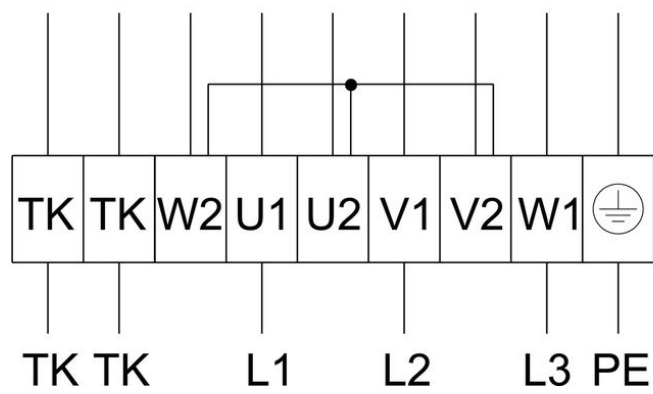


Wiring

Delta connection



Star connection



Acoustic

The Level of Casing-Breakout-Noise depends on the quality of shielding the acoustic inlet and outlet noises.

The shown Level of Casing-Breakout-Noise will be reached only in case of 100 % shielding the acoustic inlet and outlet noise and a correspondingly low environment noise.

Ecodesign

Product	
Trade name	Systemair
Product name	MUB 062 630DV
Ecodesign	
ErP compliance	2018
Unit category	NRVU
Drive	External MSD or VSD
Unit type	UVU
Heat recovery type	None
Temperature ratio (UVU)	Not applicable
qv nom	2.12 m ³ /s
P nom	2.408 kW
Ps nom	544 Pa
Fan efficiency	48 %
External Leakage	5 %
Sound power level LWA	84 dB(A)

Accessories

- FGV 062/716-716 flex. conn. (4198)
- REV-5POL/07-7,5kW R/Y (33980)
- RTRD 5.2 Speed control IP54 (32399)
- SD-MUB Vibration pad set (37324)
- UGS 062/630 adapter flex. (4358)
- FRQS-10A V2 (36232)
- CCM inlet MUB062 d630 (311783)
- CCM outlet MUB062 d630 (311681)
- CCMI outlet 062 d630 KIT 30mm (239096)
- KKC-DX-L 062 cooling section (277262)
- KKC-W-L 062 cooling section (277270)
- KKF 30 062-filter-section (93312)
- KKS 062 silencer-section (276852)
- FRQ5S-10A+LED V2 (36234)
- REV-9POL/12-7,5kW R/Y (33981)
- S-DT2SKT Two speed switch Y/D (2697)
- TUNE-AHU-DE008-062-718x718-M0 (79882)
- WSD 062 (860x860x70) complete (31482)
- CCM inlet MUB062 d560 (311782)
- CCM outlet MUB062 d560 (311684)
- CCMI outlet 062 d560 KIT 30mm (239095)
- GRU 062 base frame h= 100mm (276662)
- KKC-DX-R 062 cooling section (277266)
- KKC-W-R 062 cooling section (277274)
- KKH-HW 062 heater-section (93340)

Documents

- imo_mub_all_010_en_248056
- UKCA DECLARATION OF CONFORMITY_MUB_EN_[001].PDF
- COMMISSIONING REPORT_FANS_160628_EN_001.PDF