

MUB/T 062 560D4

Centrifugal box fan, 120°C continuous, insulated

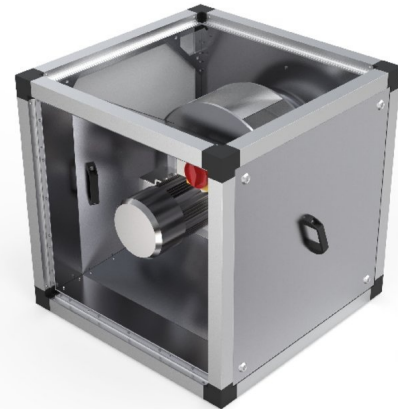
Item Number: 235443

Variant: 400V 3~ 50Hz

- Up to 120°C medium temperature, continuous operation
- Multi-functional use, e.g. for kitchen exhaust air
- Modular system
- Integral cold conductor (PTC)
- Pre-assembled isolator is standard
- Low sound level
- Easy to maintain and reliable
- High efficient motors
- Speed-controllable via frequency converter
- Motor outside the air stream

All MUB/T fans have impellers with backward curved blades, manufactured from aluminium, and IEC standard motors outside the air stream for all 400V three phase motors from 0.75 kW. The MUB/T fans are suitable for medium temperatures up to 120°C continuously. Motor protection by cold conductors (PTC), to be connected to an external motor protection device.

The casing consists of an aluminium frame with fibreglass reinforced plastic corners and double skin, galvanised steel panels with a 30 mm mineral wool insulation. Panels are removable, allowing flexible ventilation solutions - the air direction can easily be changed. With quick lock access door. The MUB/T bottom panel is shaped as a condensate tray and incorporates a pre-mounted 1" drain plug. An isolator switch is mounted on the casing. Several filter modules like f.e. activated carbon- or aluminum filters are available, calculated individually on the working point.



Technical parameters

Nominal data		
Voltage (nominal)	400	V
Frequency	50	Hz
Phase(s)	3~	
Input power	2,469	W
Input current	4.48	A
Impeller speed	1,459	r.p.m.
Air flow	max 3.33	m³/s
Temperature of transported air	max 120	°C
Max temperature of transported air, when speed controlled	120	°C
Protection/Classification		
Enclosure class, motor	IP55	
Insulation class	F	

Dimensions and weights

Weight

95.5 kg

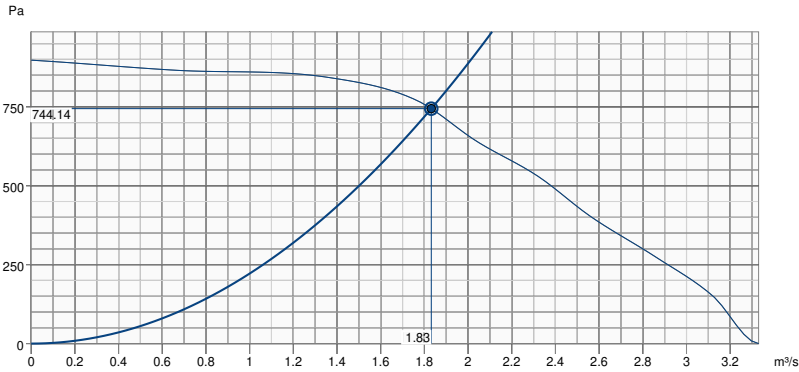
Others

Motor type

AC

Performance

Performance curve



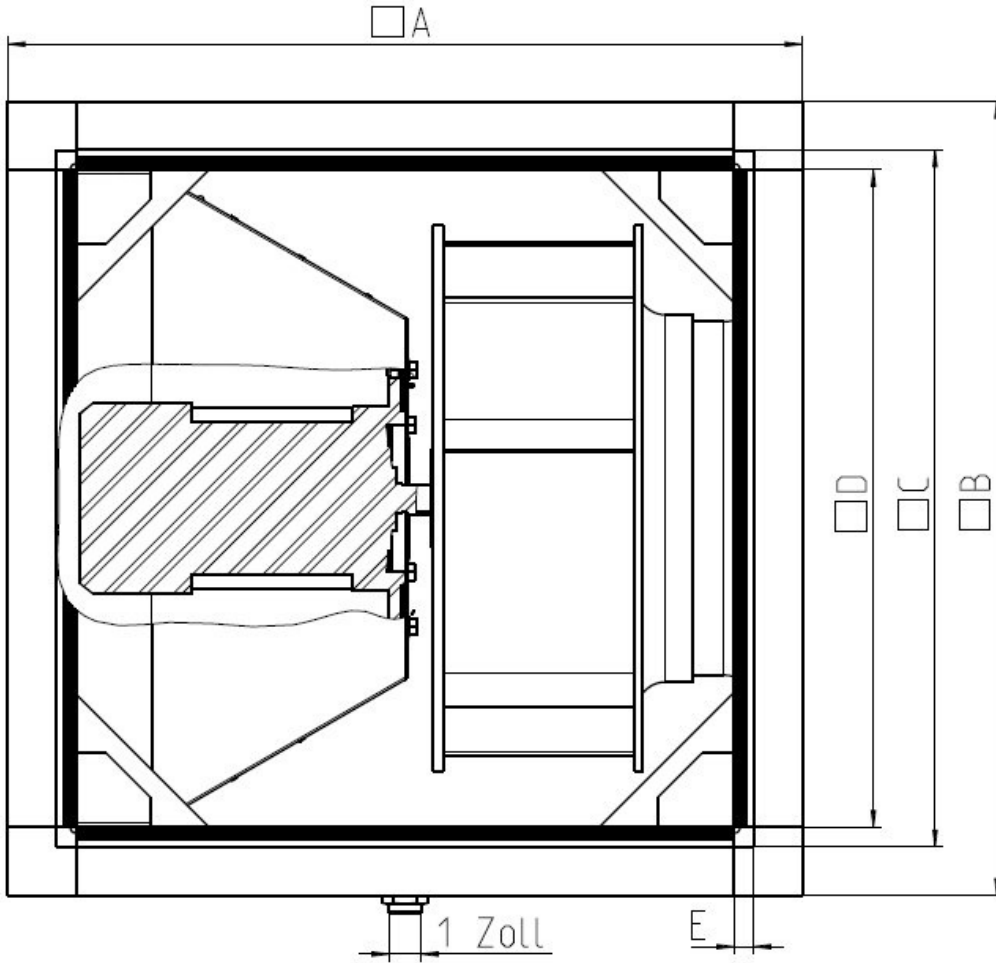
Hydraulic data

Required air flow	1.83 m³/s
Required static pressure	744 Pa
Working air flow	1.83 m³/s
Working static pressure	744 Pa
Air density	1.204 kg/m³
Power	2476.0 W
Fan control - RPM	1460 rpm
Current	4.49 A
SFP	1.352 kW/m³/s
Control voltage	400.0 V
Supply voltage	400 V

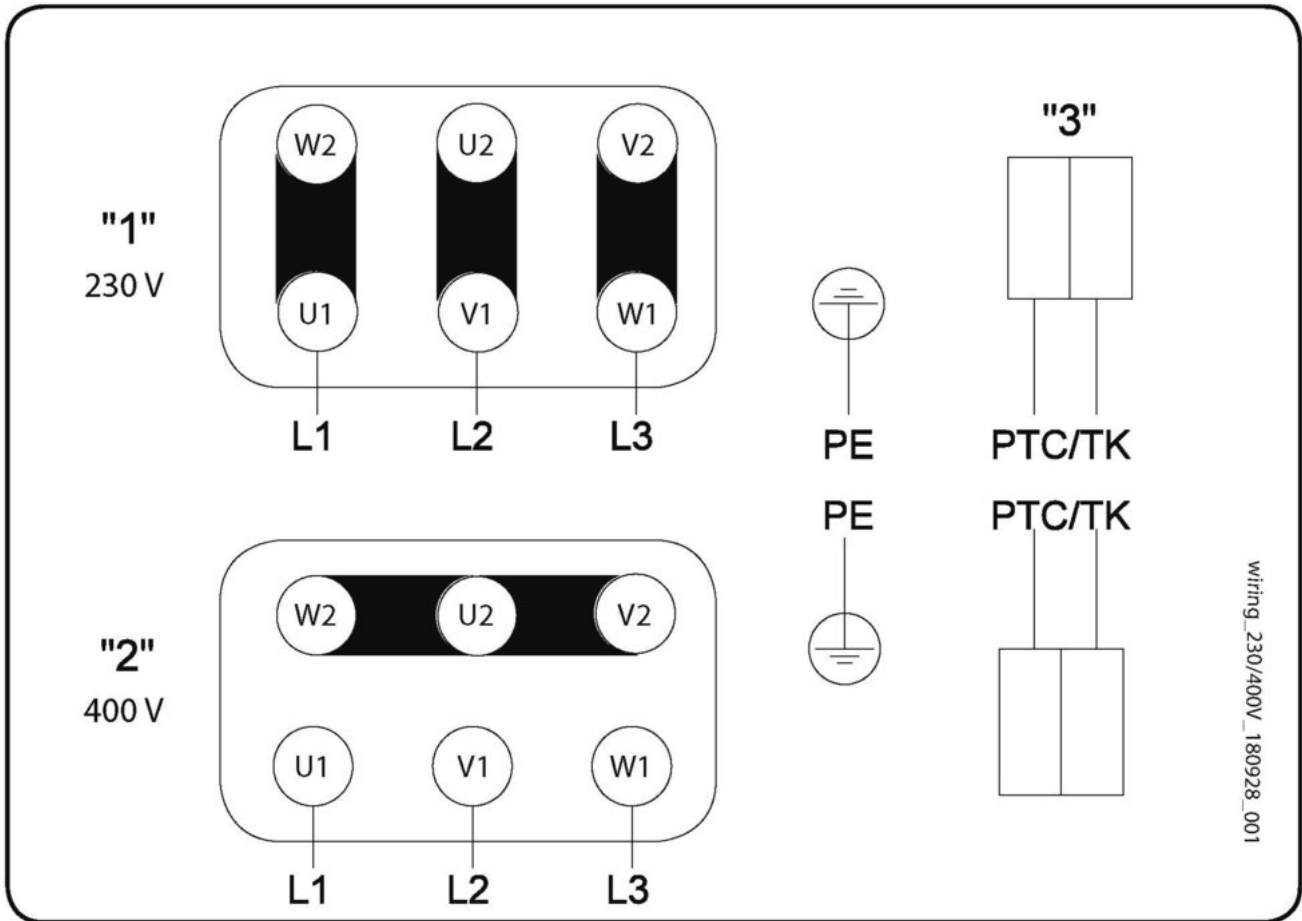
Sound power level		63	125	250	500	1k	2k	4k	8k	Total
Inlet	dB(A)	50	74	74	77	77	74	72	63	83
Outlet	dB(A)	51	75	75	78	79	76	73	65	84
Surrounding	dB(A)	30	58	47	44	47	46	39	28	59
Sound pressure level at 3m (20m² Sabine)	dB(A)	-	-	-	-	-	-	-	-	52
Sound pressure level at 3m free field	dB(A)	-	-	-	-	-	-	-	-	38

Dimension

MUB/T 062	□A	□B	□C	□D	E
500/560/630	820	820	720	678	21



Wiring



wiring_230/400V_180928_001

- 1 3 x 230V Delta Connection
 - 2 3 x 400V Star connection
 - 3 PTC / TK
- Changing of direction of rotation by interchanging of two phases

Acoustic

The Level of Casing-Breakout-Noise depends on the quality of shielding the acoustic inlet and outlet noises.

The shown Level of Casing-Breakout-Noise will be reached only in case of 100 % shielding the acoustic inlet and outlet noise and a correspondingly low environment noise.

Accessories

- FGV 062/716-716 flex. conn. (4198)
- FRQ5-10A+LED V2 (36230)
- FXDM5AM Frequency inv. IP54 (31387)
- SD-MUB Vibration pad set (37324)
- U-EK230E Motor protection (30199)
- UGS 062/630 adapter flex 120°C (38371)
- WSD 062 (860x860x70) complete (31482)
- FGV 062/716-716 flex. 120°C (38362)
- CCM inlet MUB062 d560 (311782)
- CCM outlet MUB062 d560 (311684)
- CCMI outlet 062 d560 KIT 30mm (239095)
- GRU 062 base frame h= 100mm (276662)
- KKF-CAR 062-filter-section (277347)
- KKF-KITCHEN 062-filter-section (277364)
- KKS 062 silencer-section (276852)
- FRQ-10A V2 (36228)
- FRQ5S-10A+LED V2 (36234)
- M-SG 062/718x718 (301346)
- TUNE-AHU-DE008-062-718x718-M0 (79882)
- UGS 062/500 adapter flex 120°C (38370)
- UGS 062/630 adapter flex. (4358)
- WSG 062 MUB/T complete (36067)
- FRQS-10A V2 (36232)
- CCM inlet MUB062 d630 (311783)
- CCM outlet MUB062 d630 (311681)
- CCMI outlet 062 d630 KIT 30mm (239096)
- KKF-ALU 062-filter-section (376816)
- KKF-CAR 100-filter-section (277348)
- KKF-KITCHEN 100-filter-section (277367)

Documents

- imo_mub_all_010_en_248056
- UKCA DECLARATION OF CONFORMITY_THERMOFANS_EN_[001].PDF
- COMMISSIONING REPORT_FANS_160628_EN_001.PDF