

RAW 200/250 Roof Cowl c/w BG

Item Number: 85991

The RAW horizontal discharge roof cowl is manufactured from UV stabilised glass reinforced polyester to ensure a rigid, lightweight, corrosion-free, weather resistant unit. Can be used purely as a terminal or combined with a ZSP or ZAP plate axial fan to create a powered extract/supply unit.

Coloured to BS 00 A 05 goosewing grey as standard, but available in any BS or RAL colour if required.

All RAW cowls are supplied fitted with a birdguard.



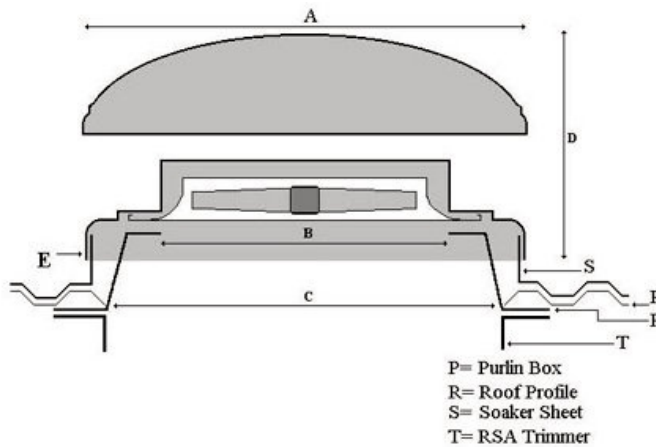
Technical parameters

Dimensions and weights

Weight

7.5 kg

Dimension



| Unit Ref | A Weather Cowl sq | B Purlin box Aperture | C Purlin box base/Roof Aperture | D Unit Height | E Weatherskirt Base sq | S Soaker Sheet Kerb sq | Weight Kg [±] |
|-------------|-------------------------|-----------------------------|------------------------------------------|---------------------|------------------------------|---------------------------------|---------------------------|
| RAW 200/250 | 490 | 310 | 480 | 270 | 460/490 | 440 | 4.25 |
| RAW 300/315 | 555 | 350 | 515 | 340 | 520/555 | 510 | 6.5 |
| RAW 350 | 675 | 400 | 680 | 380 | 660/695 | 640 | 8.5 |
| RAW 400/450 | 765 | 510 | 780 | 460 | 755/795 | 750 | 12 |
| RAW 500/560 | 995 | 620 | 910 | 550 | 920/960 | 890 | 21 |
| RAW 630/710 | 1115 | 780 | 950 | 650 | 1010/1055 | 1000 | 27 |
| RAW 800 | 1410 | 910 | 1150 | 750 | 1125/1170 | 1130 | 34 |
| RAW 1000 | 1630 | 1140 | 1390 | 900 | 1370/1405 | 1370 | 45 |

*All dimensions indicated are nominal and subject to design change. The right to alter specification is reserved.

** Owing to the hand lay process, all weights are indicative and subject to variation.

Accessories

- BDS 200/250 RA b/d shutter (8600)
- SKR 200/250 RA soaker sheet (8458)
- PB 200/250 Purlin Box (8602)

Documents

- RAW_RAV O&M.pdf