

REU 3 Speed control

3A 1~ 5 step

Item Number: 5005

Variant: 230V 1~ 50/60Hz

Manual five-step transformer_x000D_
x000D

A single-phase transformer which controls the fan speed by altering the supply voltage in five fixed steps. The steps are adjusted manually, using the control knob on the front of the unit. There are two control switches: one for higher fan speeds and one for lower fan speeds. Switching between the high and low settings is done by an external change-over contact, which could be a thermostat or a timer. The indicator lamp on the front shows when the transformer is in operation. The fuse may be reset from outside. The REU has a self-extinguishing thermoplastic casing. Supply voltage: 230V

50/60Hz._x000D_

x000D

NOTE! Fans with external thermal contact leads (TK) must always be connected to a motor protection device._x000D_

x000D



Technical parameters

Nominal data

Voltage (nominal)	230	V
Frequency	50; 60	Hz
Phase(s)	1~	
Input current	3	A

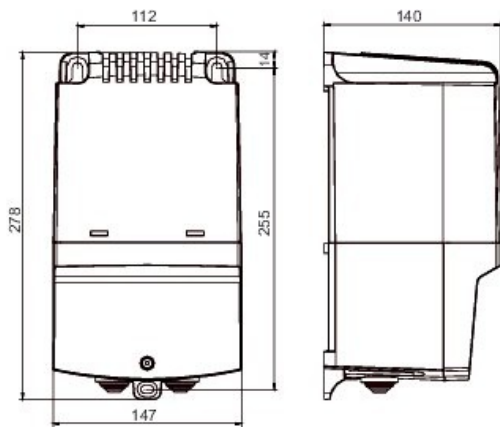
Protection/Classification

Enclosure class	IP54
-----------------	------

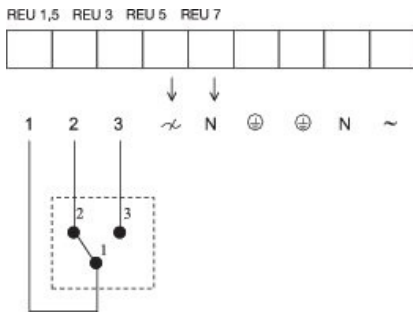
Dimensions and weights

Depth	140	mm
Height	278	mm
Width	147	mm
Weight	4.05	kg

Dimension



Wiring



Documents

- RE_RTRE_REU_IMO_GB.PDF
- DECLARATION OF CONFORMITY_RE_REU_RTRE_EN-2017.PDF