

RE 3 Speed control

3A 1~ 5 step

Item Number: 5001

Variant: 230V 1~ 50/60Hz

Manual five-step transformer A single-phase transformer which controls the fan speed by altering the supply voltage in five fixed steps. The steps are adjusted manually, using the control knob on the front of the unit. The transformer has 230V terminals for operating dampers, electric heater batteries or other external equipment. When the transformer knob is in position 0, the outlet has no current. The indicator lamp on the front shows that the transformer is in operation. The fuse may be reset from outside. The RE has a selfextinguishing thermoplastic casing. NOTE! Fans with external contact leads (TK) must always be connected to a motor protection device.



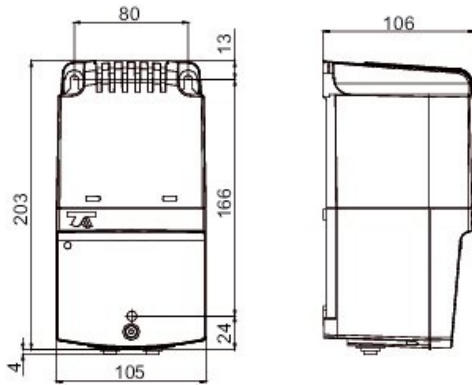
Technical parameters

Nominal data		
Voltage (nominal)	230	V
Frequency	50; 60	Hz
Phase(s)	1~	
Input current	3	A
Protection/Classification		
Enclosure class	IP54	

Dimensions and weights

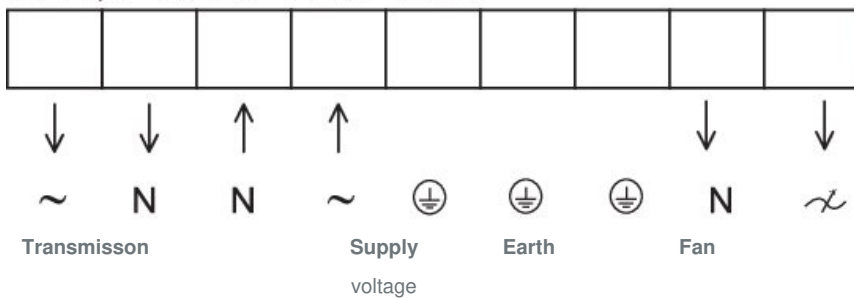
Depth	105	mm
Height	200	mm
Width	105	mm
Weight	2.7	kg

Dimension



Wiring

RE 1,5 RE 3 RE 5 RE 7



Transmission: between ~ and N is always 230V when the transformer handle is in pos. 1-5

Transmission: between ~ and N is always 230V when the transformer handle is in pos. 1-5

Documents

- RE_RTRE_REU_IMO_GB.PDF
- DECLARATION OF CONFORMITY_RE_REU_RTRE_EN-2017.PDF