

RTRD 2 Speed Cont. Systemair

Article Number: 5941

Variant : 400V 3~ 50/60Hz



Description

Manual five-step transformer (with motor protection)

A three-phase transformer which controls the fan speed by altering the supply voltage in five fixed steps. The steps are adjusted manually, using the control knob on the front of the unit.

An integral motor protection device is included which cuts the supply voltage to the fan if the thermal contact in the fan motor is activated. The unit is reset by turning the knob to "0" for 10 seconds, after which the unit restarts.

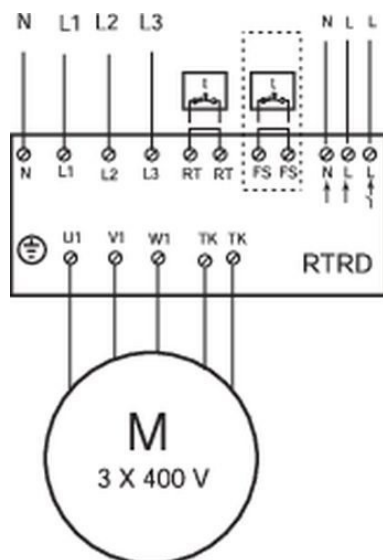
Input terminals for room thermostat RT and frost protection thermostat FS cut supply voltage to the fan when...

[Find more details in our online catalogue](#)

Technical parameters

Nominal data	
Voltage (Nominal)	400 V
Frequency	50; 60 Hz
Phase(s)	3~
Input current	2 A
Protection/Classification	
Enclosure class	IP54
Controller and Sensors	
Max. Power dissipation	50 W
Dimensions and weights	
Depth	132 mm
Height	284 mm
Width	240 mm
Weight	6.2 kg

Wiring



Documents

IMO RTRD, RTRDU_DE_GB_FR_SE.PDF

EU_DECLARATION_OF_CONFORMITY_CXE_AVC MODBUS, PXDM, RTRD_RTRDU, RETP, REPT.PDF