

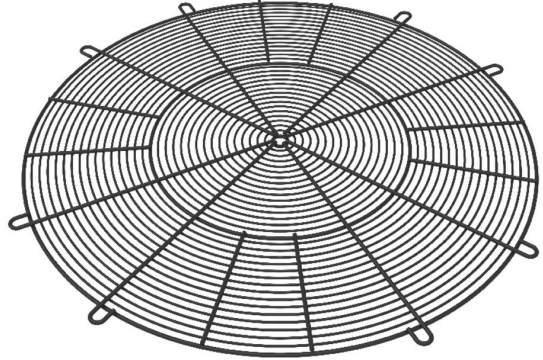
SG AW 800 Guard grill (GFC)

For air handling units

Item number: 3397

Protection guard

Protection guard for inlet side, plastic coated in black (RAL9005) for axial fans of Range AW. Available in different dimensions.



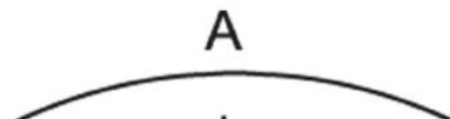
Technical parameters

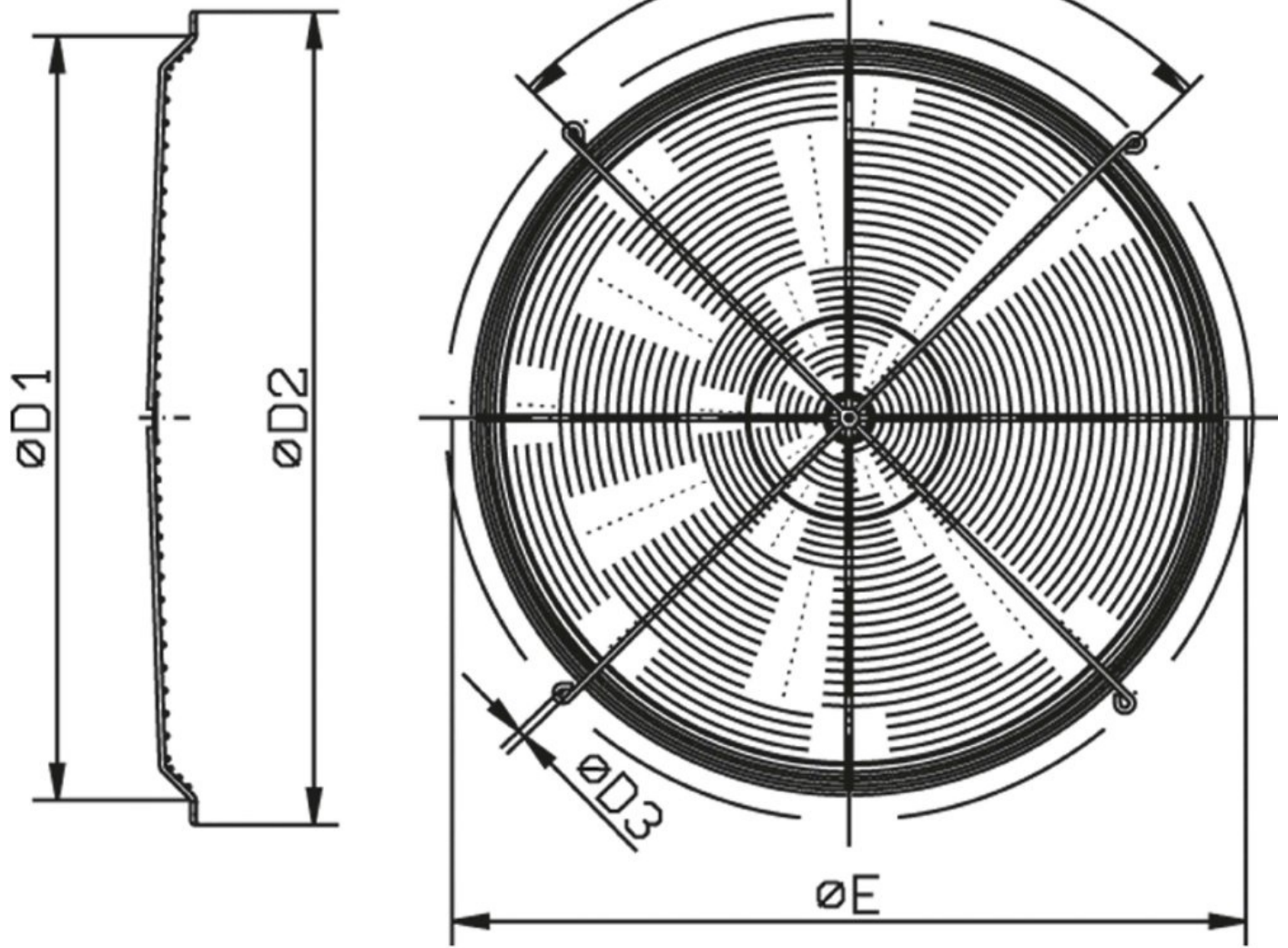
Dimensions and weights

Weight

3.8 kg

Dimension





	A	$\varnothing D1$	$\varnothing D2$	D3	$\varnothing E$
SG-AW 800	4x90°	901	979	9,0	960

Documents

- SG...-EG-KONFORMITÄTSEKTLÄRUNG_DE-EN.PDF