

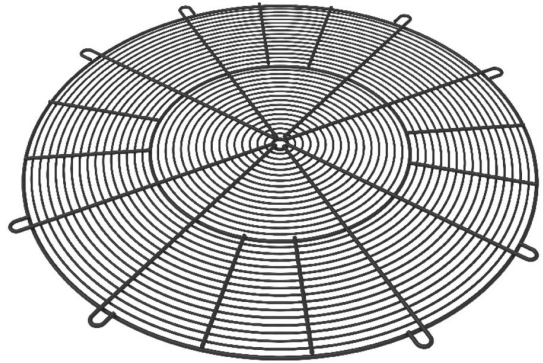
SG AW 910 Guard grill (GFC)

For air handling units

Item number: 301300

Protection guard

Protection guard for inlet side, plastic coated in black (RAL9005) for axial fans of Range AW. Available in different dimensions.



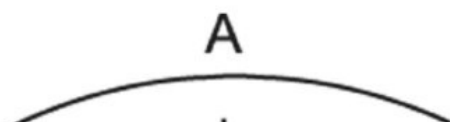
Technical parameters

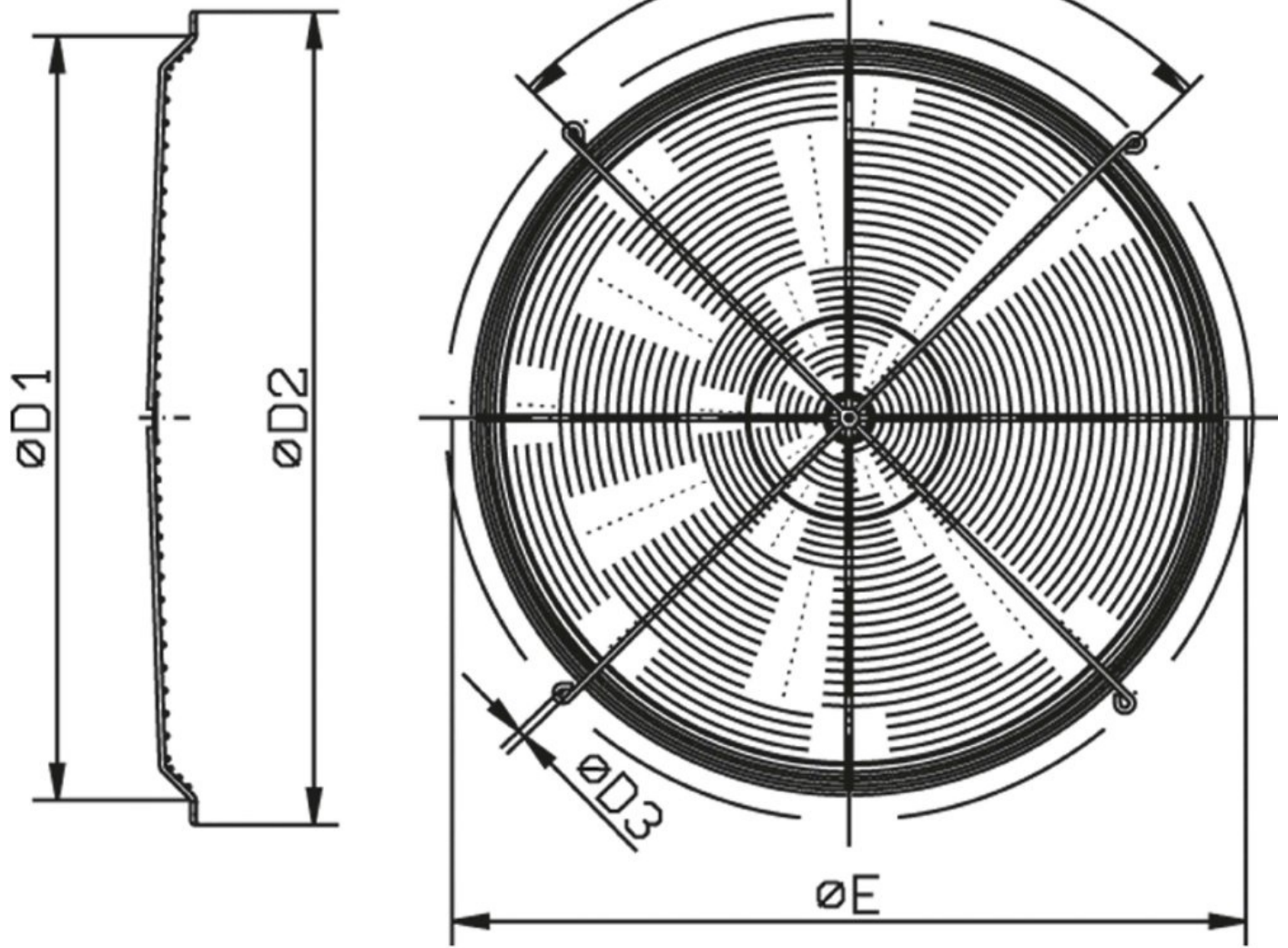
Dimensions and weights

Weight

4.5 kg

Dimension





	A	ØD1	ØD2	D3	ØE
SG-AW 910	4x90°	1030	1134	9,0	1115

Documents

- SG...-EG-KONFORMITÄTSERKLÄRUNG_DE-EN.PDF