

# TFSR 315 Sileo Grey

Centrifugal roof fan

Item Number: 27645

Variant: 230V 1~ 50Hz



- Swing-out
- Speed-controllable
- Easy to install
- Reliable

The TFSR range consists of roof fans with circular connection and are fitted with a single-inlet centrifugal fan with backward-curved blades and external rotor motors. The motors can be tilted outwards to facilitate inspection and service. They have integral on/off switch and are supplied with 1 m cable for fast connection to the mains e.g. via the connection box on the roof curb TOB or TOS.

These fans are suitable for exhaust-air ventilation systems, e.g. single and multiple dwellings, offices and day nurseries. To protect the motors from overheating, all motors have an integral thermal contact with automatic reset. The fans are manufactured in powder-coated, galvanized sheet steel and are delivered in the standard colours of black or brick red.

TFSR is delivered with a spigot connection if the installation requires direct duct connection. TFSR 125-160 are delivered with a Ø 160 spigot and TFSR 200-315 with a Ø 200. The spigot is not pre-assembled to the fan.



## Technical parameters

Nominal data		
Voltage (nominal)	230	V
Frequency	50	Hz
Phase(s)	1~	
Input power	231	W
Input current	1	A
Impeller speed	2,785	rpm
Air flow	max 0.347	m³/s
Capacitance of capacitor	5	µF
Temperature of transported air	max 70	°C
Max temperature of transported air, when speed controlled	70	°C

**Sound data**

Sound pressure level at 10m (free field)	44	dB(A)
Sound pressure level at 3m (20m <sup>2</sup> Sabin)	68	dB(A)
Sound pressure level at 4m (free field)	52	dB(A)

**Protection/Classification**

Enclosure class, motor	IP44
Insulation class	F

**Data according to ErP**

ErP ready	ErP 2016; ErP 2018
-----------	--------------------

**Dimensions and weights**

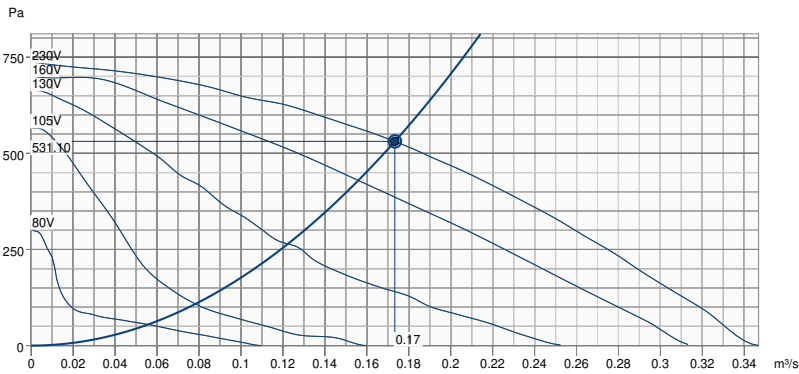
Duct dimension; Circular, inlet	315	mm
Weight	9.1	kg

**Others**

Duct connection type	Circular
Color name, casing	Grey
Motor type	AC

# Performance

## Performance curve

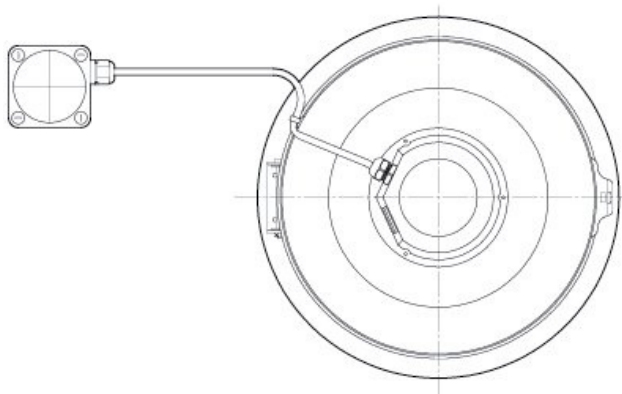
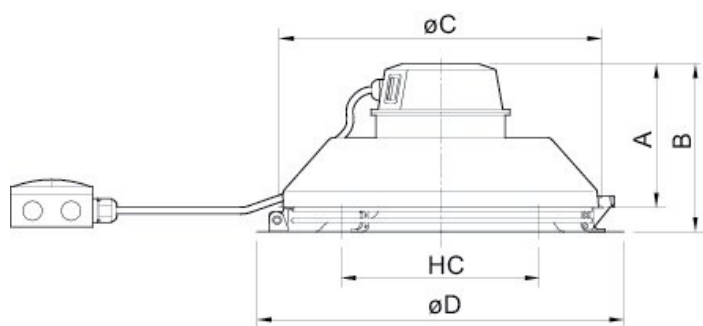


### Hydraulic data

Required air flow	0.17 m³/s
Required static pressure	531 Pa
Working air flow	0.17 m³/s
Working static pressure	531 Pa
Air density	1.204 kg/m³
Power	219.8 W
Fan control - RPM	2798 rpm
Current	0.96 A
SFP	1.268 kW/m³/s
Control voltage	230.0 V
Supply voltage	230 V

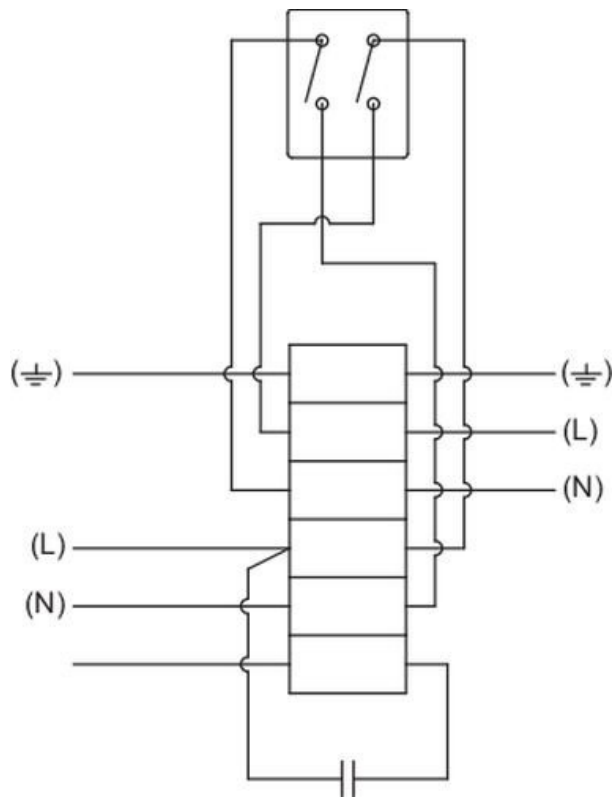
Sound power level		63	125	250	500	1k	2k	4k	8k	Total
Inlet	dB(A)	58	64	66	67	68	66	63	57	74
Outlet	dB(A)	39	54	60	67	71	70	62	58	75

## Dimension



TFSR	A	B	øC	øD	HC
315M/L	160	206	404	485	250

## Wiring



## Ecodesign

Product	
Trade name	Systemair
Product name	TFSR 315 Roof fan Grey sileo
Ecodesign	
ErP compliance	2018
Unit category	NRVU
Drive	External MSD or VSD
Unit type	UVU
Heat recovery type	None
Temperature ratio (UVU)	Not applicable
qv nom	0.173 m <sup>3</sup> /s
P nom	0.22 kW
Ps nom	531 Pa
Fan efficiency	41.8 %
External Leakage	0 %
Sound power level LWA	69 dB(A)

## Accessories

- RE 1,5 Speed control (5000)
- REPT 6 Digital regulator (5698)
- REU 1.5 Speed control (5004)
- HR1 Room Humidistat (215150)
- Presence detector/IR24-P (6995)
- LDC 200-600 Silencer (5194)
- RSK-200 Back draft damper (5602)
- REE 2 Speed control (5316)
- RETP 6 Temp/Pressure regulator (32293)
- CO2RT-R-D Transmitter (6993)
- MicroREX D21 Plus Time Switch (17822)
- RT 0-30 Room Thermostat (5151)
- LDC 200-900 Silencer (5195)
- TOB 200-315 Roof curb Grey (134463)

## Documents

- Fans\_Operating and Maintenance\_instr\_202341\_CE\_multilingual.pdf
- TFSR MOUNTING INSTRUCTION\_205504\_A001.PDF
- Certificate S-mark TFSK\_R 1309486\_EN.pdf