

# TUNE-R-080-3-M2

Circ.damper,leak.cl.C4,24Vactuat.2/3-point

Item Number: 311946

## Description

Tune-R is control damper for circular ducts. The special design allows external insulation up to 50 mm. The damper can be supplied in manual or motorized version with integrated position indicator.

## Design

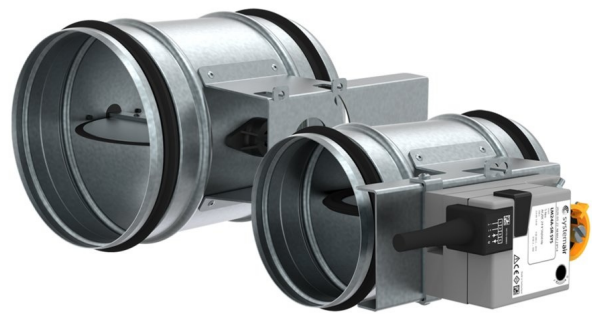
The damper is manufactured from galvanized steel sheet and is silicone free. All gaskets are manufactured from black rubber. Plastic bushings are from PPO material. All materials are flame retardant. It is available from dimensions 80-630 mm.

## Tightness class versions acc. to EN 1751

- 1 - Casing tightness class A & blade tightness class 1 (no rubber gasket on inlet and no rubber gasket on blade)
- 2 - Casing tightness class C & blade tightness class 1 (rubber gasket on inlet and no rubber gasket on blade)
- 3 - Casing tightness class C & blade tightness class 4 (rubber gasket on inlet and rubber gasket on blade)

## Actuator versions

- H - handle (hand operated)
- M0 - preparation for actuator
- M1 - 230V rotary actuator
- M2 - 24V rotary actuator
- M3 - 24V, 0-10V operated actuator
- M4 - 230V spring return actuator
- M5 - 24V spring return actuator
- M6 - 24V, 0-10V spring return actuator

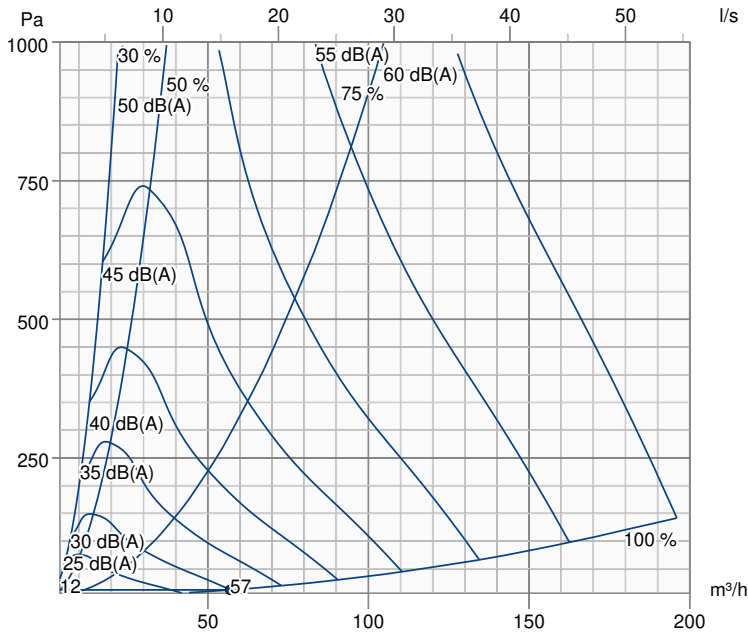


## Technical parameters

Nominal data		
Air flow(s)	36; 162; 198	m³/h
Maximum air velocity	2; 9; 11	m/sec
Duct connection type	Circular	
Voltage (Nominal)	24	V
Power consumption in wire	1.9	VA
Power consumption in operation	1	W
Dimensions and weights		
Weight	1.4	kg

## Performance

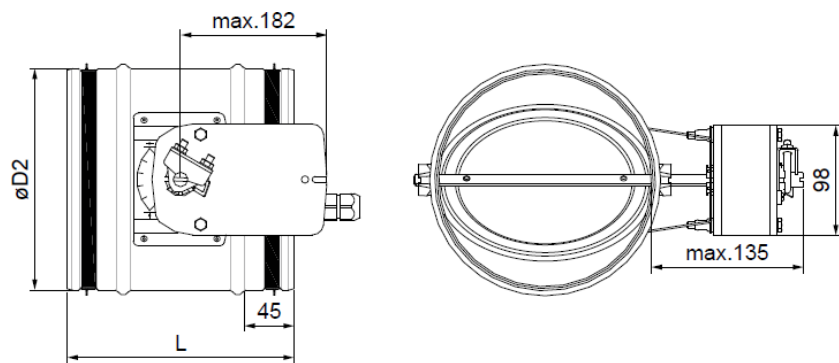
### Pressure drop & sound power level (A-weighted) - Total sound power level (A-weighted) - Discharged into room



Parameter	Value
Air flow	57 m³/h
Air face velocity	3.2 m/s
Pressure drop	12 Pa
Damper setting	100 %
Damper setting	100 %
Total sound power level - Discharged into room	44 dB
Total sound power level (A-weighted) - Discharged into room	30 dB(A)

Total sound power level - Discharged into room	Hz	63	125	250	500	1k	2k	4k	8k
Lw	dB	43	33	30	28	23	16	15	25
LwA	dB(A)	17	17	21	25	22	17	16	23

## Dimensions



Dimensions	Value mm
DN	80
L	200

Part	Weight kg
TUNE-R-080-3-M2	1.40

## Documents

- [DataSheet\\_TUNE-R\\_EN\\_201711\\_\\_en-GB\\_](#)
- [DeclarationOfConformity\\_Tune\\_R\\_\\_R-B\\_EN\\_\\_en-GB\\_](#)