

prio 500 3~

Article Number: 145918

Variant : 400V 3~ 50Hz



Description

- High efficiency – low noise
- Speed-controllable
- Integral thermal contacts
- Can be installed in any position
- Maintenance-free and reliable

The fan have external rotor motor with a new type of mixed flow impeller which reduces the external dimensions of the fan. This fan have a high capacity in relation to its compact design. Brackets are supplied with the fan to make installation easier.

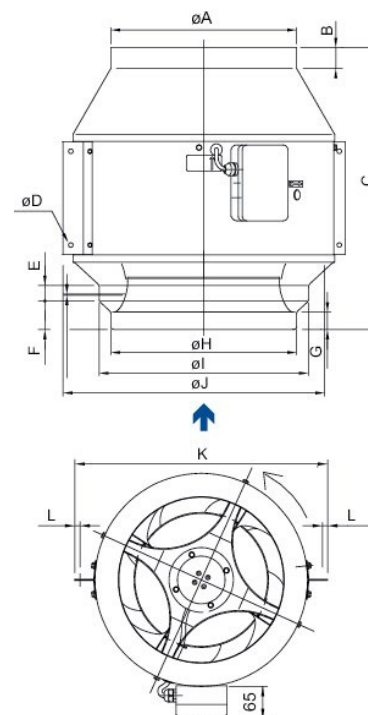
The FK mounting clamp facilitates easy installation and removal and prevents the transfer of vibrations to the duct. To protect the motor from overheating the fan has integral thermal contacts with leads to a...

[Find more details in our online catalogue](#)

Technical parameters

Nominal data	
Voltage (nominal)	400 V
Frequency	50 Hz
Phase(s)	3~
Input power	1,345 W
Input current	3.1 A
Impeller speed	1,421 r.p.m.
Air flow	max ; 8,251; m ³ /h
Temperature of transported air	max 70 °C
Max temperature of transported air, when speed controlled	70 °C
Sound data	
Sound pressure level at 3m (20m ² Sabin)	63 dB(A)
Protection/Classification	
Enclosure class, motor	IP54
Insulation class	F
Data according to ErP	
ErP ready	ErP 2018
Dimensions and weights	
Duct dimension; Circular, inlet	500 mm
Duct dimension; Circular, outlet	500 mm
Weight	34.7 kg
Others	
Duct connection type	Circular
Motor type	AC

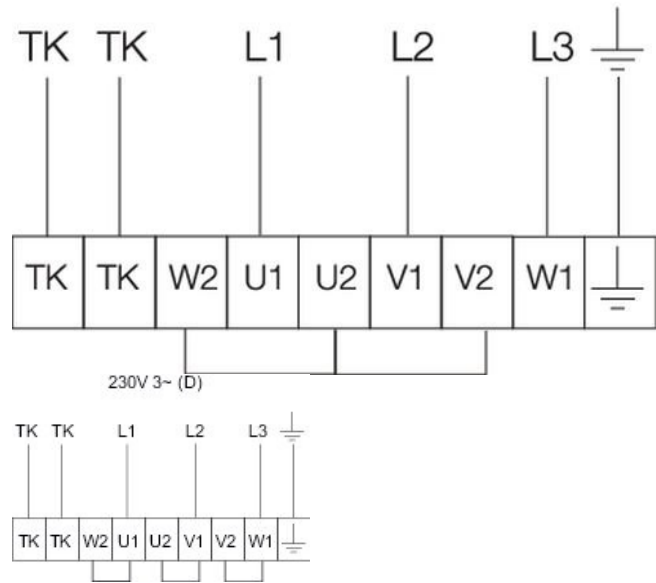
Dimension



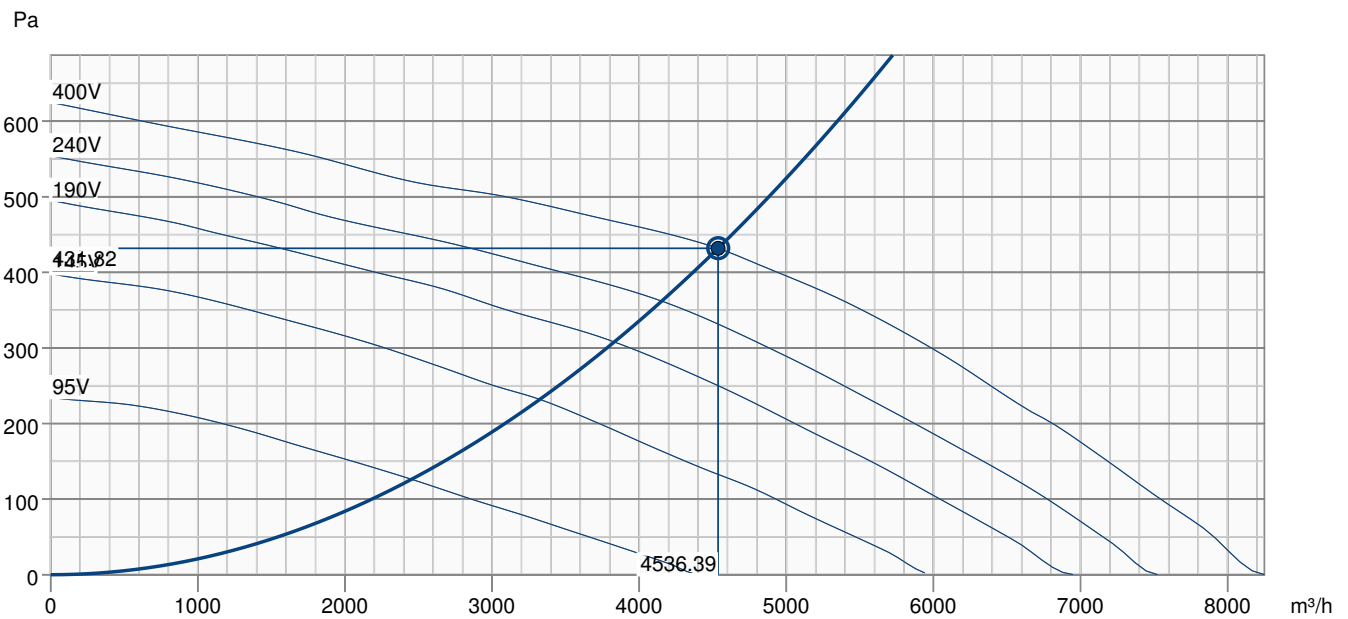
øA	B	C	øD (x4)	E	F	G	øH	øI	øJ	K	L
500	46	643	12	45	76	50	450	500	660	812	18.5

Wiring

400V 3~



Performance curve



Hydraulic data										
Required air flow										4537 m³/h
Required static pressure										432 Pa
Working air flow										4536 m³/h
Working static pressure										432 Pa
Air density										1.204 kg/m³
Power										1257.0 W
Fan control - RPM										1427 rpm
Current										3.01 A
SFP										0.998 kW/m³/s
Control voltage										400.0 V
Supply voltage										400 V
Sound power level		63	125	250	500	1k	2k	4k	8k	Total
Inlet	dB(A)	64	79	79	79	76	74	68	60	85
Outlet	dB(A)	60	77	76	83	83	77	72	63	87
Surrounding	dB(A)	29	61	64	64	63	60	49	41	70
Sound pressure level at 3m (20m² Sabine)	dB(A)	-	-	-	-	-	-	-	-	63
Sound pressure level at 3m free field	dB(A)	-	-	-	-	-	-	-	-	49

Accessories

REV-5POL/07 ON/OFF (33980)

RTRD 4 Speed cont. Systemair (5942)

S-DT 16 Motor Protection (161206)

SG 500 Protection guard (5615)

CO2RT-R-D Transmitter (6993)

Presence detector/IR24-P (6995)

Safety switch 3-pole grey (210680)

FK 500 Fast clamp (1617)

RSK-500 Back draft damper (73049)

RTRDU 4 Speed contr. Systemair (5946)

S-DT 16E Motor Protection (161207)

STDT 16E Motor Protection (5153)

HR1 Room Humidistat (215150)

RT 0-30 Room Thermostat (5151)

T 120 Timer (5165)

VBC 500-2 Water heating batt (9837)

Documents

Fans_Operating and Maintenance_instr_202341_CE_multilingual.pdf