



TD EVO PF ECOWATT

5211009300 - TD EVO-100 PF ECOWATT (220-240V 50/60HZ) RE - IN-LINE DUCT FANS



In-line mixed-flow fans, low profile, for circular ducts and manufactured with 85% recycled plastics. The impeller and silent-block are kept in reinforced virgin plastics to ensure performance.

The range comprises seven diameters and covers a flow range from 190 to 1780 m³/h.

The unique design of the support bracket allows the motor and impeller assembly to be fitted or removed without dismantling the adjacent ducting.

Optimised design of the impeller, guide vane and outlet diffuser, to increase performance and lower the sound level.

Airtight construction with double-injection sealing between the main body and the support bracket to avoid air leaks.

Rubber gaskets on the flanges to improve airtightness with the ducts.

Silent-block between the motor and the guide vane to reduce the motor's vibrations and lower the sound level of the installation, even in terms of speed regulation.

Motor

Brushless EC motor:

– 230V±10% 50/60Hz, Class B, IP 44.

– Speed adjustable 100% via potentiometer located in the terminal box or via external control REB-ECOWATT type.

Analogue input remote control with 0-10V external signal.

– Ball bearings and thermal protection with manual reset.

– Working temperature: -20/40°C.

Theoretical Working Point

Airflow	-
Static Pressure	0,000 N/m ²
Temperature	20 °C
Altitude	0 m
Density	1,2 kg/m ³
Frequency	50/60 Hz

Construction

Discharge diameter	100 mm
Fan size	100
Weight	2,20 kg

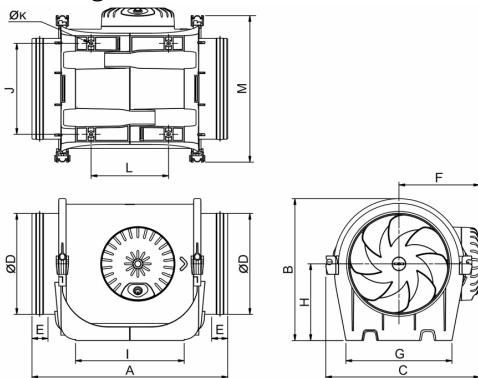
Motor Characteristics

Voltage	1-230V-50Hz
Maximum absorbed current	0,09 A
IP Rating	IP44
Motor insulation class	B

Working Point

Fan speed	2250
-----------	------

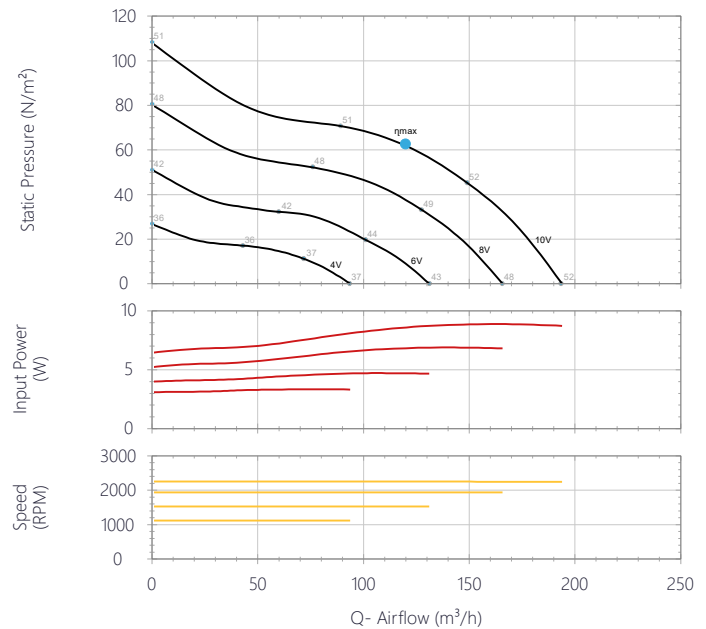
Drawing



A	B	C	D	E	F	G	H	I
302	181	201	97	285	107	133	100	168

J	K	L	M
100	45	89	189

Performance Chart



Sound Performance

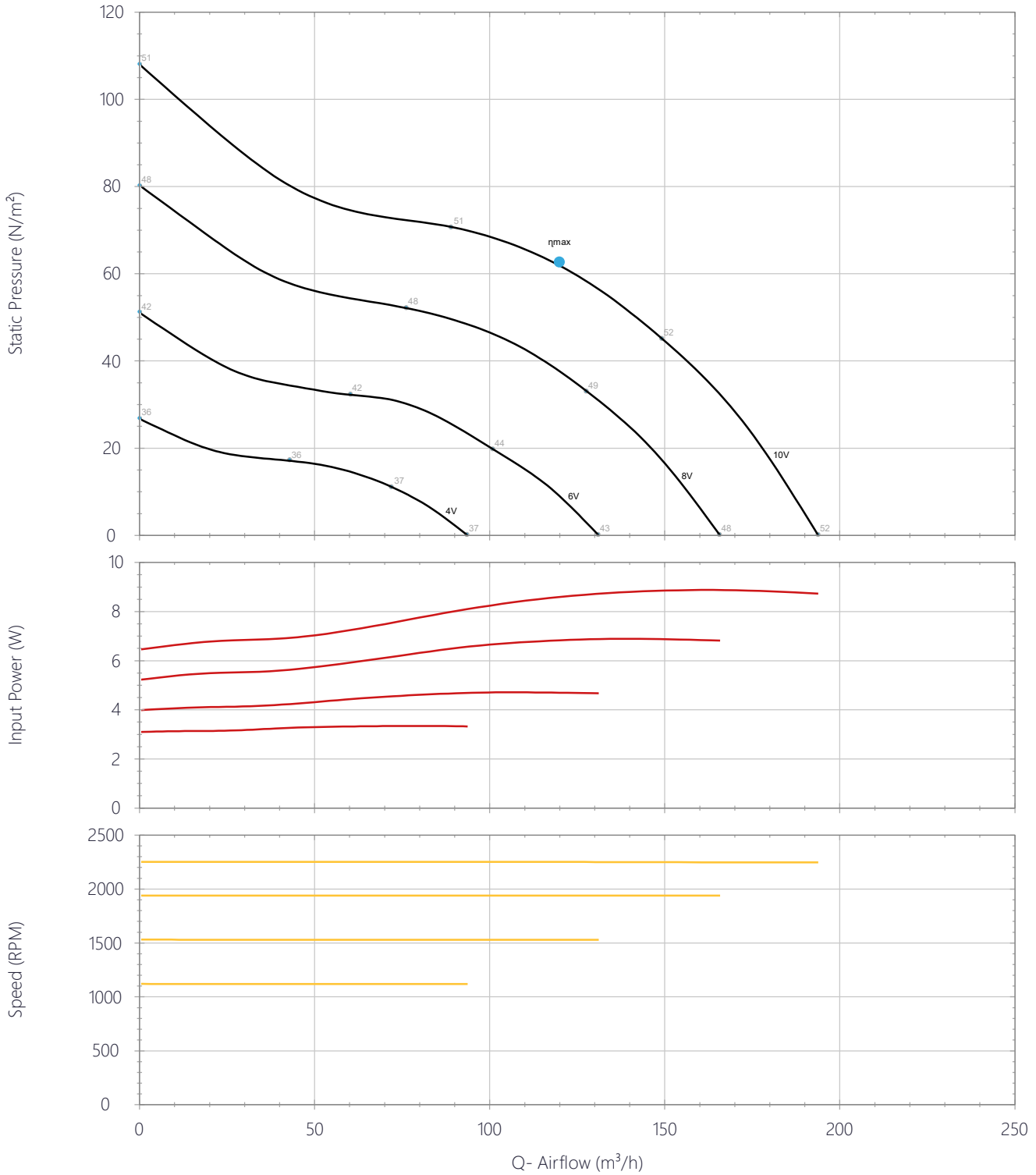
	63	125	250	500	1k	2k	4k	8k	Overall
Inlet (LwA)	22	25	41	46	48	44	39	29	52
Inlet LpA @ 1m	11	14	30	35	37	34	28	18	41
Outlet (LwA)	23	27	42	46	48	45	36	27	52
Outlet LpA @ 1m	12	16	31	35	37	34	25	16	41
Breakout (LwA)	16	17	29	25	34	33	27	22	38
Breakout LpA @ 1m	5	6	18	14	23	22	16	11	27



TD EVO PF ECOWATT

5211009300 - TD EVO-100 PF ECOWATT (220-240V 50/60HZ) RE - IN-LINE DUCT FANS

Performance Chart





TD EVO PF ECOWATT

5211009300 - TD EVO-100 PF ECOWATT (220-240V 50/60HZ) RE - IN-LINE DUCT FANS

Sound Performance

	63	125	250	500	1k	2k	4k	8k	Overall
Inlet (LwA)	22	25	41	46	48	44	39	29	52
Inlet LpA @ 1m	11	14	30	35	37	34	28	18	41
Outlet (LwA)	23	27	42	46	48	45	36	27	52
Outlet LpA @ 1m	12	16	31	35	37	34	25	16	41
Breakout (LwA)	16	17	29	25	34	33	27	22	38
Breakout LpA @ 1m	5	6	18	14	23	22	16	11	27

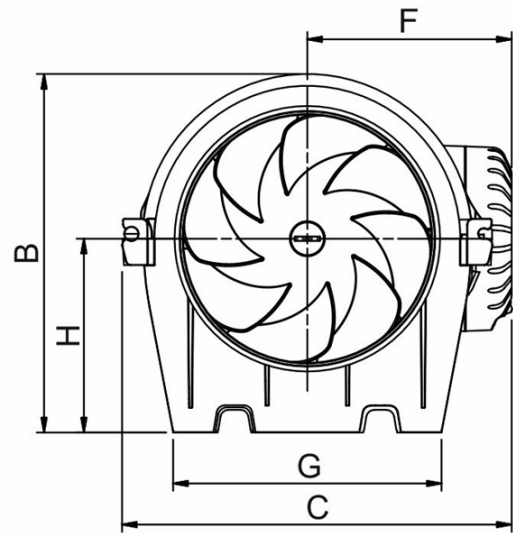
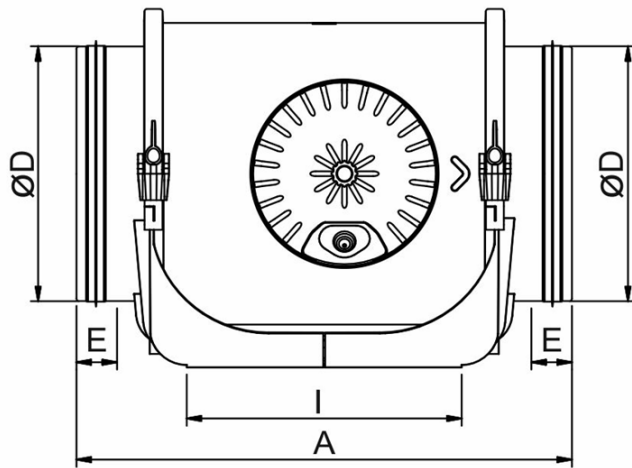
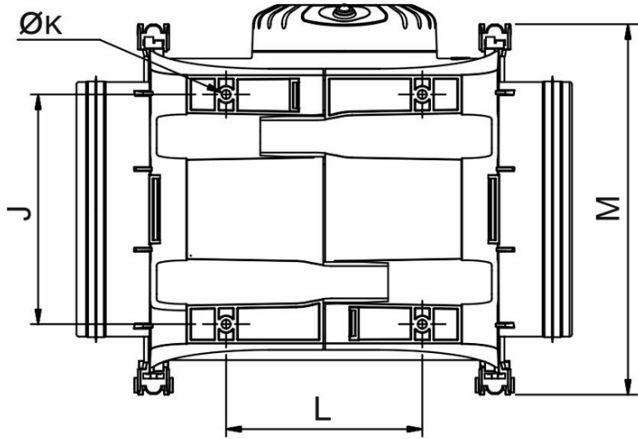




TD EVO PF ECOWATT

5211009300 - TD EVO-100 PF ECOWATT (220-240V 50/60HZ) RE - IN-LINE DUCT FANS

Drawing



A	B	C	D	E	F	G	H	I	J	K	L	M
302	181	201	97	285	107	133	100	168	100	45	89	189



TD EVO PF ECOWATT

5211009300 - TD EVO-100 PF ECOWATT (220-240V 50/60HZ) RE - IN-LINE DUCT FANS

ErP Data

Ecodesign	
Commission regulation (EU) N°1253/2014 of July 2014	
Information requirements (Annex V)	
ProductoComercial	TD EVO-100 PF ECOWATT (220-240V 50/60HZ) RE
Identifier	5211009300
SEC average climate (kWh/(m2.an))	-26,6
SEC class	NA
SEC cold climate (kWh/(m2.an))	-53,7
SEC warm climate (kWh/(m2.an))	-11,1
Typology	RVU unidirectional
Type of drive	Variable speed drive
Type of HRC	None
Thermal efficiency (%)	0
Maximum flow rate (m3/h)	136
Electrical power input at maximum flow rate (W)	8,8
Sound power level (LWA)	32
Reference flow rate (m3/s)	0,027
Reference pressure difference (Pa)	27
SPI (W/m3/h)	0,053
Control factor	0,65
Control typology	Local demand
Maximum internal leakage for BVU (%)	Not applicable
Maximum external leakage for BVU and UVU (%)	0,4
Mixing rate for BVU without duct connection (%)	Not applicable
Position of visual filter warning	Not applicable
description of visual filter warning	Not applicable
Instructions to install supply grilles	F&W Leaflet
Instructions to install exhaust grilles	F&W Leaflet
https://www.solerpalau.com/	
Airflow sensitivity to pressure variation	Not applicable
Indoor/outdoor air tightness (m3/h)	Not applicable
Annual electricity consumption - Average climate (kWh/a)	66
Annual electricity consumption - Warm climate (kWh/a)	66
Annual electricity consumption - Cold climate (kWh/a)	66
Annual heating saved - Average climate (kWh/a)	2830
Annual heating saved - Warm climate (kWh/a)	1280
Annual heating saved - Cold climate (kWh/a)	5536