



TGT

TGT/6-1000-3/26 BLP 3KW (230/400V50HZ) IE3 V5



Range of adjustable pitch aerofoil blade, cased axial flow fans. Casings formed from rolled sheet steel with a corrosion resistant hot dipped galvanised finish. All models incorporate separate high grade die-cast aluminium blades locked within a pressed sheet steel hub Suitable for horizontal or vertical mounting installation. Long casing versions with large inspection door fitted (that enables access to the motor terminal box for electrical connection). The motors are IP55, Class F insulation. Brand S&P model TGT/6-1000-3/26 BLP 3kW (230/400V50Hz) IE3 V5 for an airflow 36.642 m³/h and static pressure 57 N/m².

SolerPalau Sistemas de Ventilación SLU certifies that this model is licensed to bear the AMCA Seal for Air Performance. The ratings shown are based on test and procedures performed in accordance with AMCA Publication 211 and comply with the requirement of the AMCA Certified Ratings Program.

Performance certified is for installation type D; ducted inlet, ducted outlet, without the effect of appurtenances. The AMCA Certified Ratings Seal applies to air performance ratings only. Power rating excludes transmission losses.

The revision version is EasyVent v11, May 2020. Certification may be checked at AMCA

G76103030U13 - TGT/6-1000-3/26 BLP 3kW (230/400V50Hz) IE3 V5

Theoretical Working Point

Airflow	36.078 m ³ /h
Static Pressure	56 N/m ²
Temperature	20 °C
Altitude	0 m
Density	1,2 kg/m ³
Frequency	50 Hz

Working Point

Airflow	36.642 m ³ /h
Static Pressure	57 N/m ²
Dynamic pressure	101 N/m ²
Total Pressure	159 N/m ²
Shaft power	2,36 kW
Max shaft power	2,41 kW
Tot efficiency	68,4 %
Outlet speed	13 m/s
Fan speed	980 rpm
Specific Fan Power	0,27 W/l/s

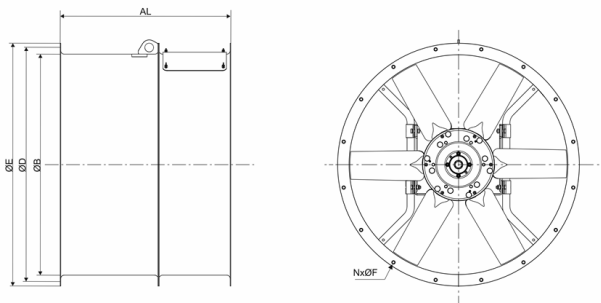
Construction

Discharge diameter	1000 mm
Blades	3
Angle	26°
Product Code	G76103030U13
Weight	175,00 kg

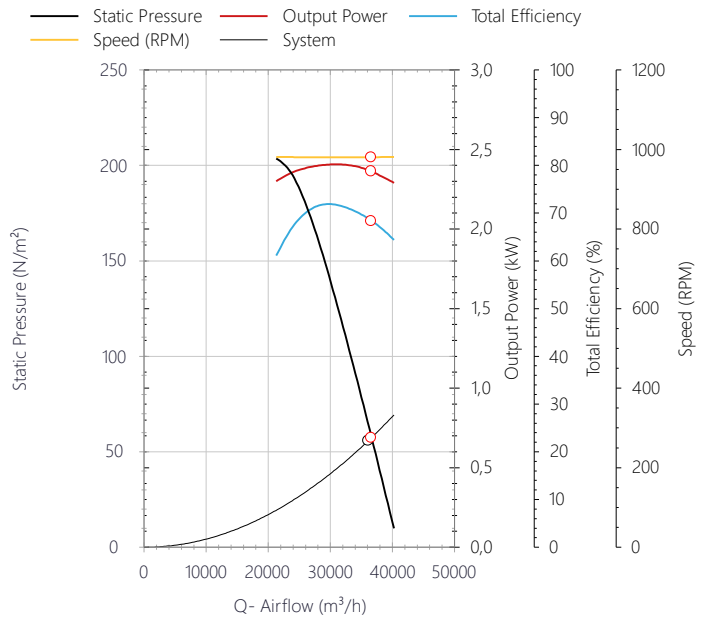
Motor Characteristics

Number of poles	6
Motor Power	3 kW
Voltage	3-230/400V-50Hz
FLC	12,0 A / 6,9 A
IP Rating	IP55
Motor insulation class	F
Motor Efficiency	IE3
Starting Current	41,5 A

Drawing



Performance Chart



Sound Performance

	63	125	250	500	1k	2k	4k	8k	Overall
Inlet (LwA)	69	72	78	85	87	85	80	73	91
Inlet LpA @ 1m	58	61	67	74	76	74	69	62	80



TGT

TGT/6-1000-3/26 BLP 3KW (230/400V50HZ) IE3 V5



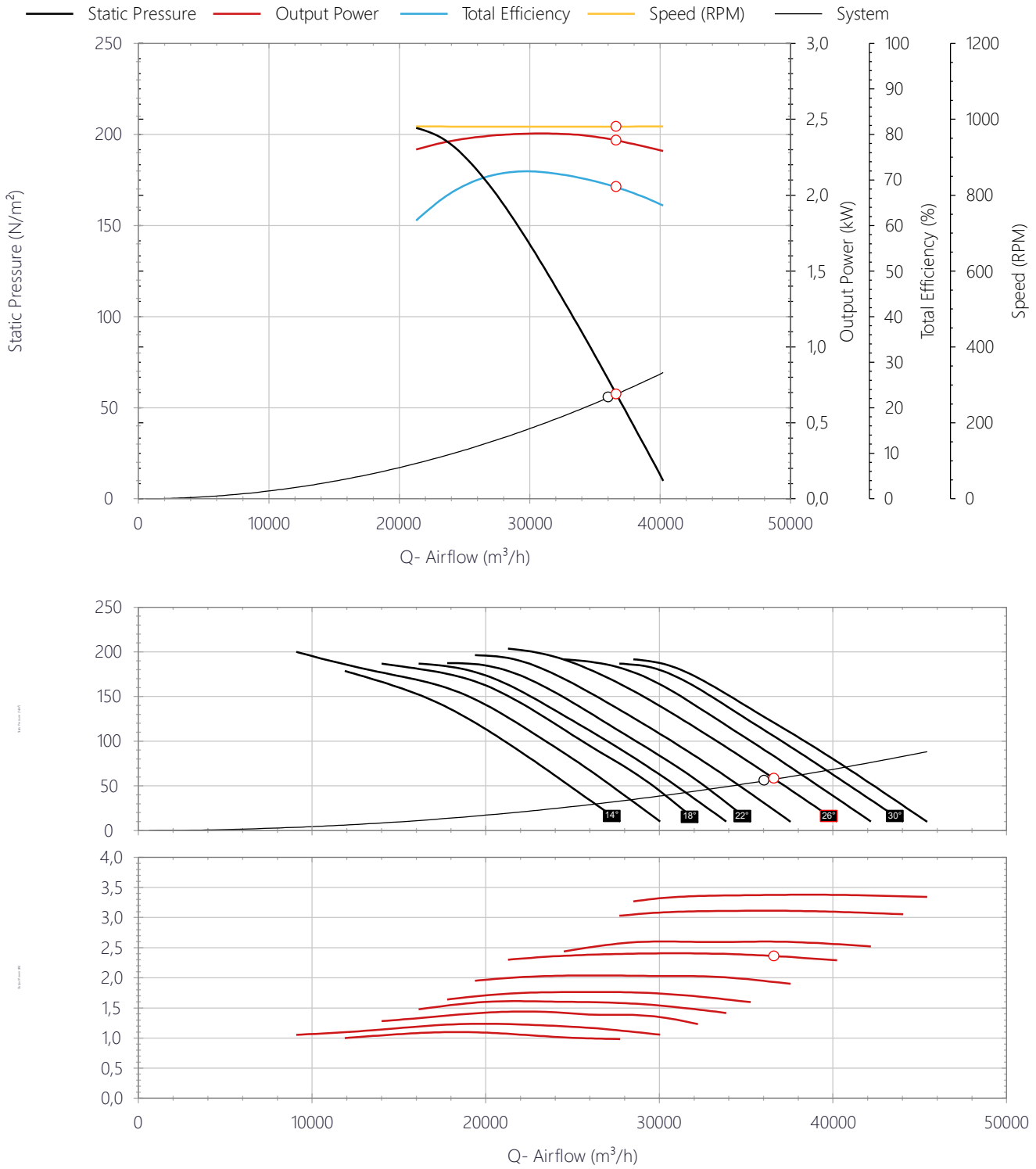
AL	B	D	E	F	N
780	1000	1070	1105	15	16



TGT

TGT/6-1000-3/26 BLP 3KW (230/400V50HZ) IE3 V5

Performance Chart





TGT

TGT/6-1000-3/26 BLP 3KW (230/400V50HZ) IE3 V5



Sound Performance

	63	125	250	500	1k	2k	4k	8k	Overall
Inlet (LwA)	69	72	78	85	87	85	80	73	91
Inlet LpA @ 1m	58	61	67	74	76	74	69	62	80

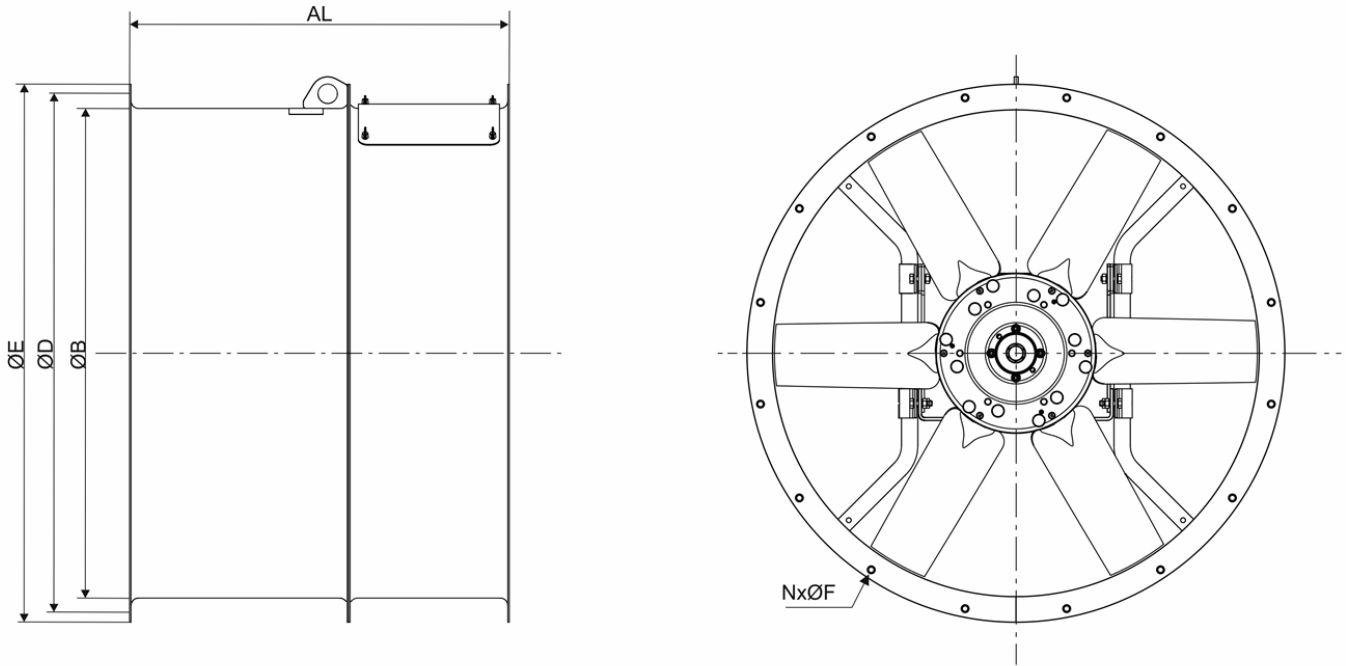




TGT

TGT/6-1000-3/26 BLP 3KW (230/400V50HZ) IE3 V5

Drawing



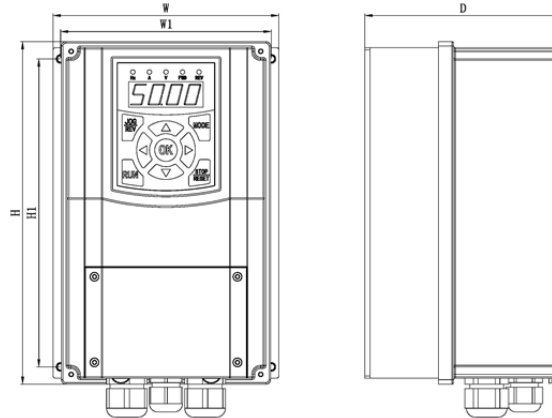
AL	B	D	E	F	N
780	1000	1070	1105	15	16

Accessories

L1000000662 - S&P VFD-M 10A IP54 (1-PH)



Single-phase 230V-50/60Hz Voltage supply. Motor kW protection programmable by a single parameter. Power on and drive status indication. Speed selection with UP/DOWN keys. Run/Fault relay output contacts. Motor overload and shortcut protections.



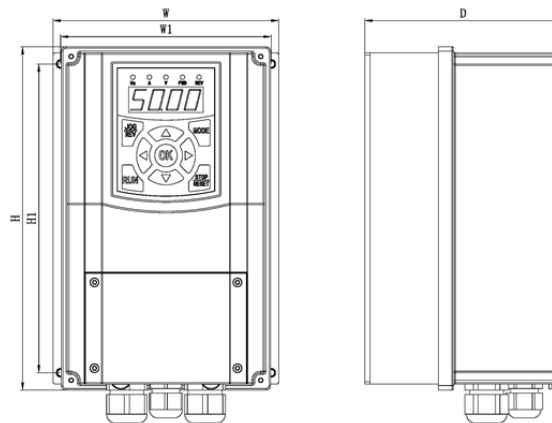
Dimensions

H	H1	W	W1	D	d
193	170	150	140	131	4.5

L1000000663 - S&P VFD-M 16A IP54 (1-PH)



Single-phase 230V-50/60Hz Voltage supply. Motor kW protection programmable by a single parameter. Power on and drive status indication. Speed selection with UP/DOWN keys. Run/Fault relay output contacts. Motor overload and shortcut protections.



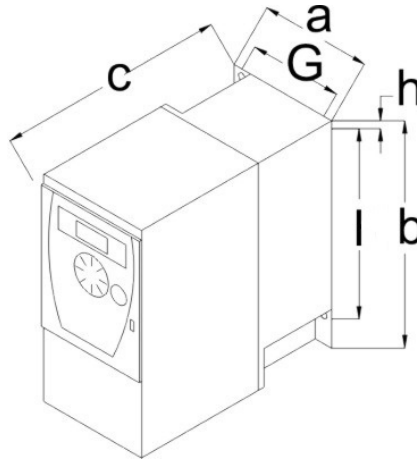
Dimensions

H	H1	W	W1	D	d
228	205	150	140	131	4.5

5401228400 - VFTM320 TRI 3 IP66



Adjustable frequency drive. Three phase supply 400V-50/60Hz, three phase 400V output.



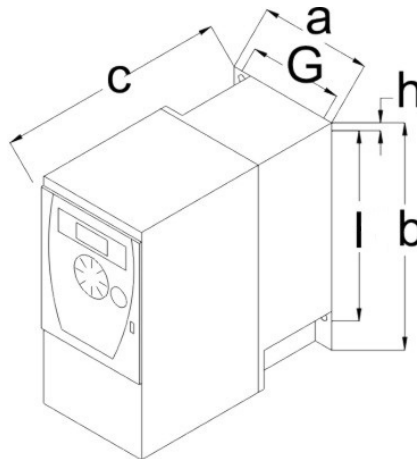
Dimensions

a	b	c	G	I	h
250	340	235	231	323	6.6

5401226500 - VFTM320 TRI 3



Adjustable frequency drive. Three phase supply 400V-50/60Hz, three phase 400V output.



Dimensions

a	b	c	G	I	h
140	184	158	126	157	6.5



TGT

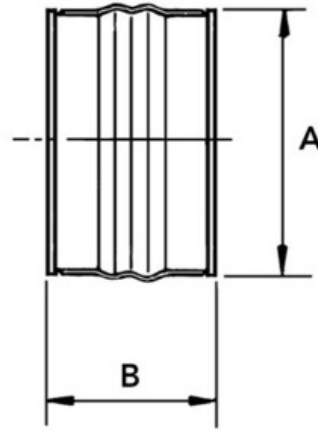
TGT/6-1000-3/26 BLP 3KW (230/400V50HZ) IE3 V5

5401304100 - REB-CVF (0-10V)



5138921900 - ACOPEL F400-1000/180 N

FLEXIBLE CONNECTOR



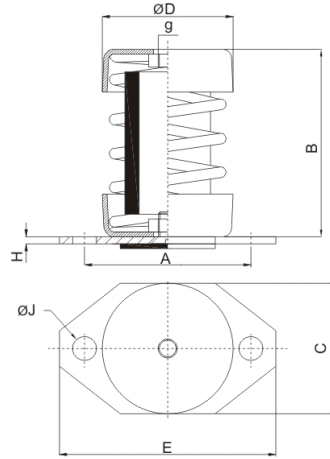
Dimensions

A	B
1010	180

5130865800 - AMORTIGUADOR DE MUELLE AM-100M



Metallic anti vibration mount



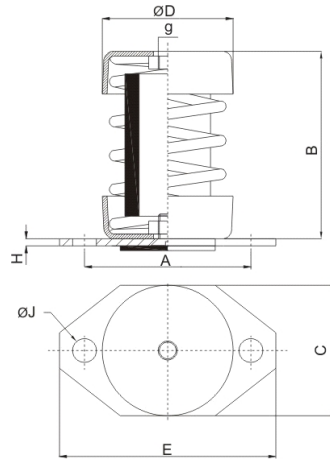
Dimensions

A	B	C	D	E	gM	H	J
70	79	55	55	91	8	3	10

5130963900 - AMORTIGUADOR DE MUELLE AM-125M



Metallic anti vibration mount



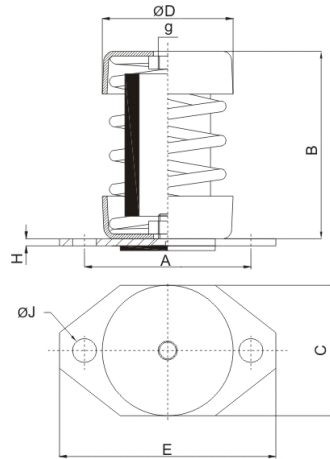
Dimensions

A	B	C	D	E	gM	H	J
70	79	55	55	91	8	3	10

5130863900 - AMORTIGUADOR DE MUELLE AM-25 M



Metallic anti vibration mount



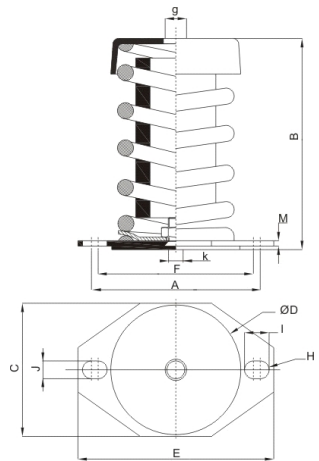
Dimensions

A	B	C	D	E	gM	H	J
70	79	55	55	91	8	3	10

5130964000 - AMORTIGUADOR DE MUELLE AM-250M



Metallic anti vibration mount



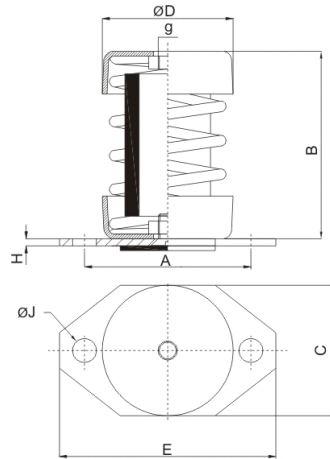
Dimensions

A	B	C	D	E	gM	HR	J	I	kM	M
95	118	75	73	110	12	5	10	14	8	3

5130864000 - AMORTIGUADOR DE MUELLE AM-50 M



Metallic anti vibration mount



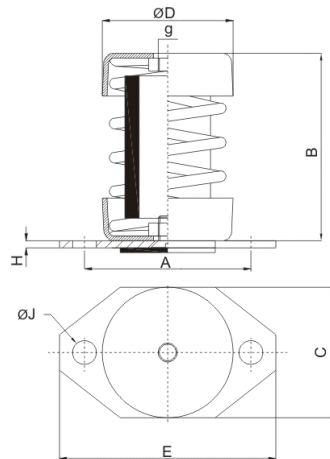
Dimensions

A	B	C	D	E	gM	H	J
70	79	55	55	91	8	3	10

5130864100 - AMORTIGUADOR DE MUELLE AM-75 M



Metallic anti vibration mount



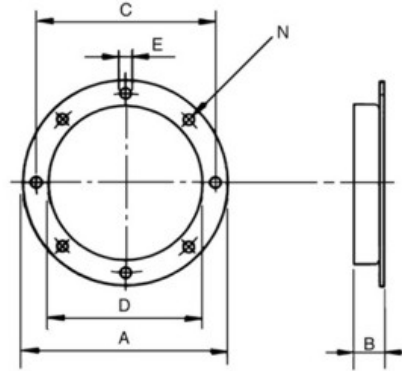
Dimensions

A	B	C	D	E	gM	H	J
70	79	55	55	91	8	3	10

5138906800 - ARO BRIDA THGT-1000 N



CIRCULAR DUCT MATCHING FLANGE

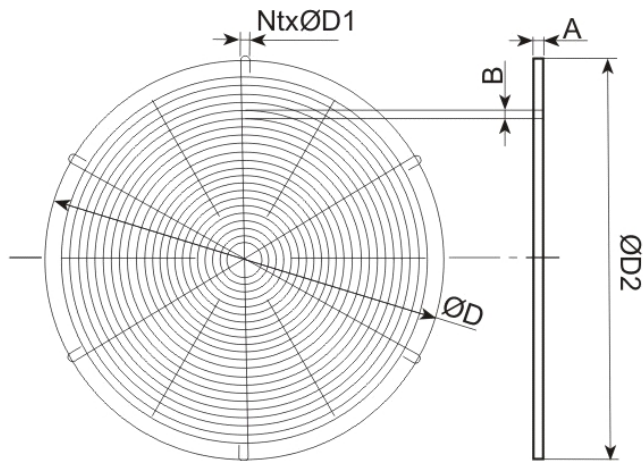


Dimensions

A	B	C	D	E	N
1105	60	1070	1000	15	16

5138834600 - DEF.ASP.THGT-1000

WIRE PROTECTION GUARD - INLET - CASED MOUNTED AXIAL FANS

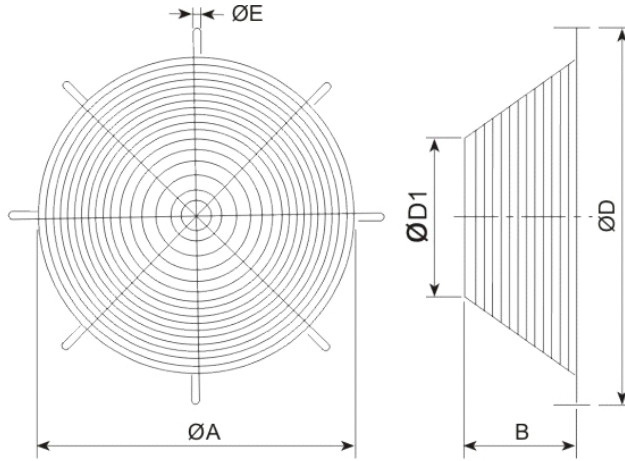


Dimensions

D	D1	D2	Nt	A	B
1070	12	1010	8	5	10

5138827000 - DEF.DES.THGT-1000.

WIRE PROTECTION GUARD - OUTLET -CASED MOUNTED AXIAL FANS

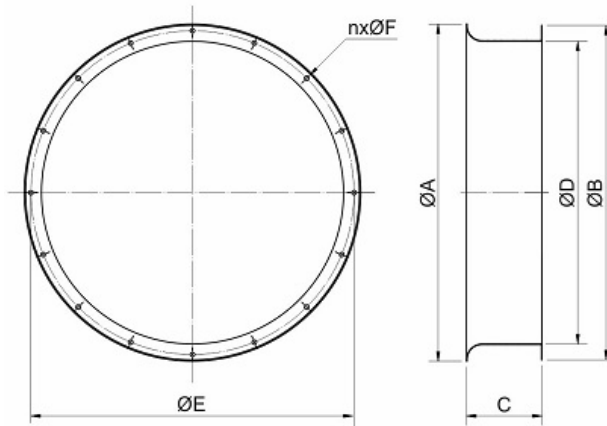


Dimensions

A	B	D1	D	E	N
980	335	620	1070	12	8

5120871000 - EMB-1000T

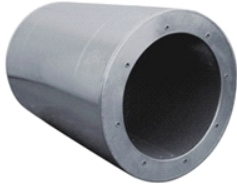
Bellmouth protection guard to avoid turbulence at inlet and prevent any contact with the fan impeller.



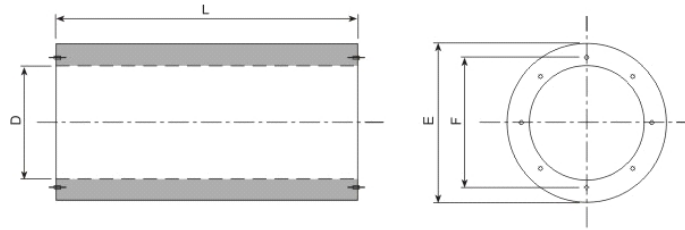
Dimensions

A	B	C	D	E	F	n
1114	1070	250	1000	15	1105	16

5211812600 - SIL CZ 1000-10



Casing pre-galvanised sheet steel Z200 of thickness 0,8 mm sizes up to 1250 and 1,2 mm for size 1400. Mounting flange with threaded insert. Acoustic miner wool density 70kg/m3 with erosion resistant facing with M0 fire resistance.



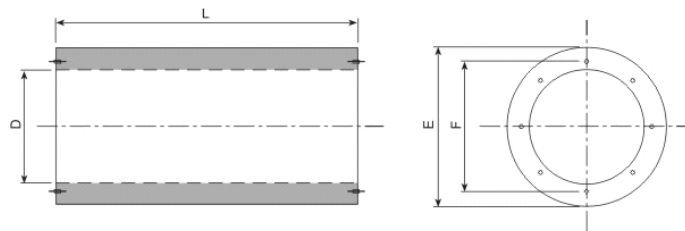
Corrections							
63	125	250	500	1k	2k	4k	8k
-0	-3	-8	-12	-8	-4	-4	-4

Dimensions				
D	E	F	L	No
1000	1200	1070	1000	16

5211812700 - SIL CZ 1000-15



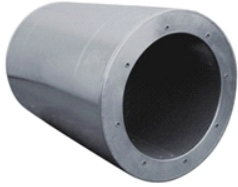
Casing pre-galvanised sheet steel Z200 of thickness 0,8 mm sizes up to 1250 and 1,2 mm for size 1400. Mounting flange with threaded insert. Acoustic miner wool density 70kg/m3 with erosion resistant facing with M0 fire resistance.



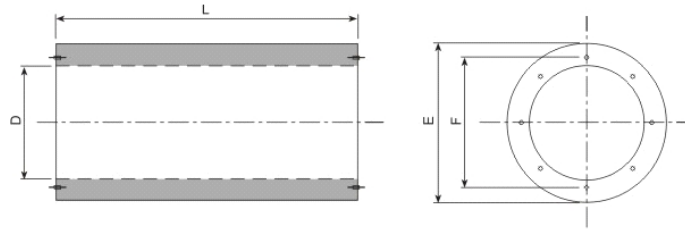
Corrections							
63	125	250	500	1k	2k	4k	8k
-0	-5	-12	-17	-10	-6	-6	-5

Dimensions				
D	E	F	L	No
1000	1200	1070	1500	16

5211812800 - SIL CZ 1000-20



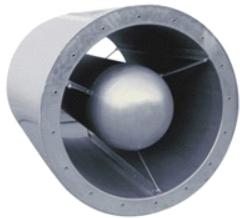
Casing pre-galvanised sheet steel Z200 of thickness 0,8 mm sizes up to 1250 and 1,2 mm for size 1400. Mounting flange with threaded insert. Acoustic miner wool density 70kg/m3 with erosion resistant facing with M0 fire resistance.



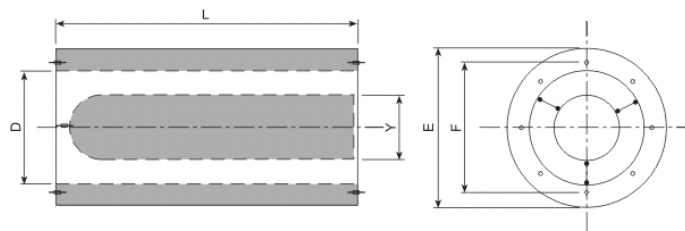
Corrections							
63	125	250	500	1k	2k	4k	8k
-0	-6	-16	-23	-12	-7	-7	-6

Dimensions				
D	E	F	L	No
1000	1200	1070	2000	16

5211815900 - SIL CZO 1000-10



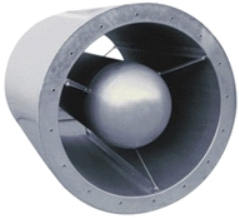
As SIL CZ but with internal pod for extra attenuation. On request: Version with stainless steel casing.



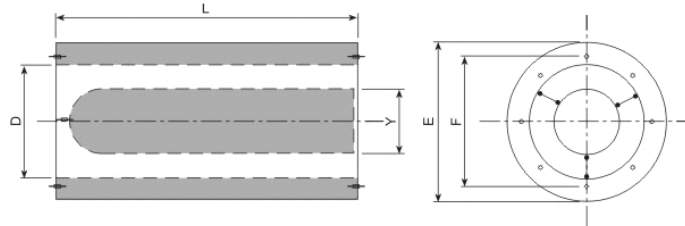
Corrections							
63	125	250	500	1k	2k	4k	8k
-0	-8	-14	-20	-24	-21	-14	-10

Dimensions					
D	E	F	No	L	Y
1000	1200	1070	16	1000	650

5211830400 - SIL CZO 1000-15



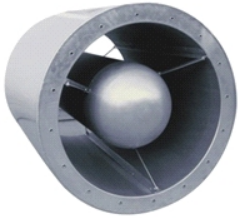
As SIL CZ but with internal pod for extra attenuation. On request: Version with stainless steel casing.



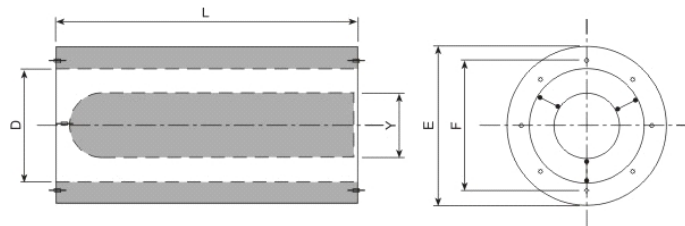
Corrections							
63	125	250	500	1k	2k	4k	8k
-0	-10	-22	-30	-37	-29	-16	-12

Dimensions					
D	E	F	No	L	Y
1000	1200	1070	16	1500	650

5211816000 - SIL CZO 1000-20



As SIL CZ but with internal pod for extra attenuation. On request: Version with stainless steel casing.

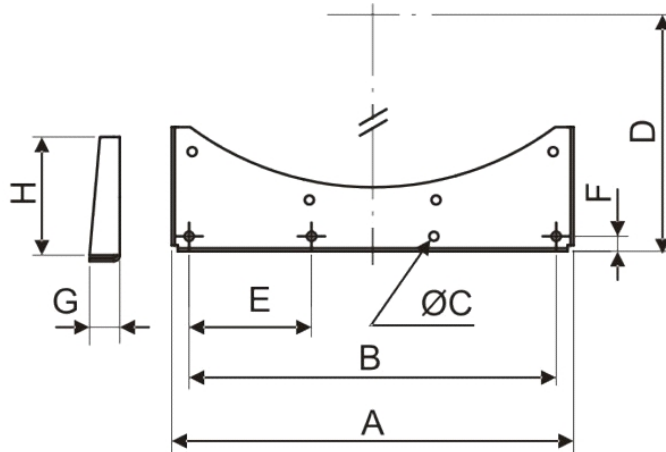


Corrections							
63	125	250	500	1k	2k	4k	8k
-0	-13	-28	-39	-47	-38	-19	-13

Dimensions					
D	E	F	No	L	Y
1000	1200	1070	16	2000	650

5138881700 - PIE SOP.TGT/THGT-1000 V

MOUNTING FEET

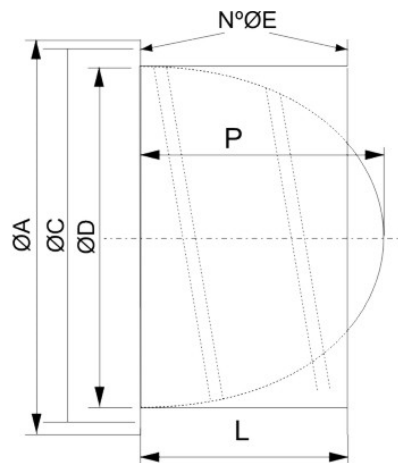
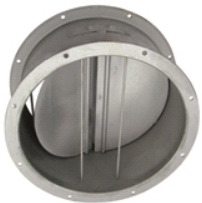


Dimensions

A	B	C	D	E	F	G	H
985	892	15	633	223	40	60	360

5136849000 - CLAR 1000

Back draft shutter to be installed within circular ducting to prevent back draft of air when the fans are switched off. It could only be placed in position horizontal airflow.

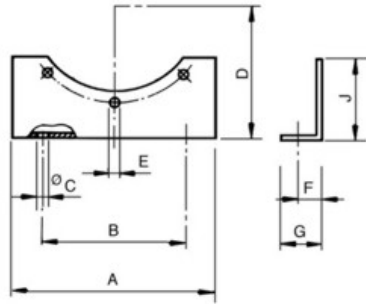


Dimensions

A	C	D	E	N	L	P
1105	1070	1000	15	16	300	535

5138806400 - PIE SOP.TGT/THGT-1000 HRZ INSTL SPRT FEET (PR)

MOUNTING FEET

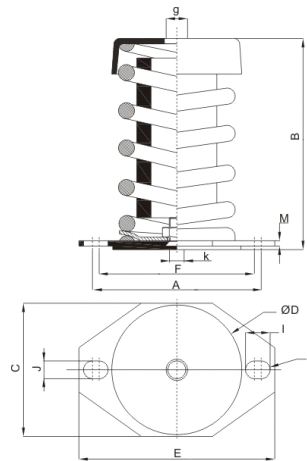


Dimensions

A	B	C	D	E	F	G	J	n
1020	880	15	573	15	35	60	300	6

5130864400 - AMORTIGUADOR DE MUELLE AM-150M

Metallic anti vibration mount



Dimensions

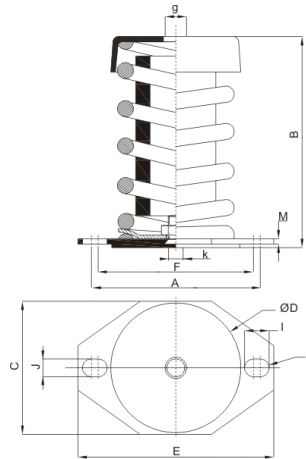
A	B	C	D	E	gM	HR	J	I	kM	M
95	118	75	73	110	12	5	10	14	8	3



SP9999999SCO1193 - AMORTIGUADOR DE MUELLE AM-200M



Metallic anti vibration mount



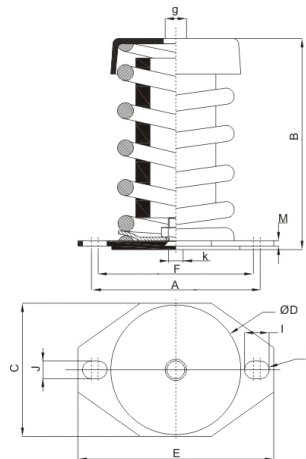
Dimensions

A	B	C	D	E	gM	HR	J	I	kM	M
95	118	75	73	110	12	5	10	14	8	3

SP9999998SCO1193 - AMORTIGUADOR DE MUELLE AM-350M



Metallic anti vibration mount



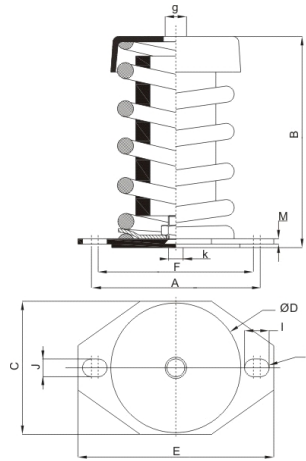
Dimensions

A	B	C	D	E	gM	HR	J	I	kM	M
95	118	75	73	110	12	5	10	14	8	3

5130864600 - AMORTIGUADOR DE MUELLE AM-450M



Metallic anti vibration mount



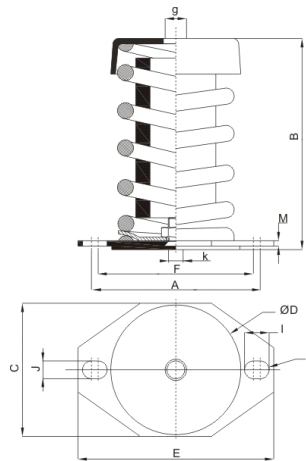
Dimensions

A	B	C	D	E	gM	HR	J	I	kM	M
95	118	75	73	110	12	5	10	14	8	3

5130864500 - AMORTIGUADOR DE MUELLE AM-550M



Metallic anti vibration mount



Dimensions

A	B	C	D	E	gM	HR	J	I	kM	M
95	118	75	73	110	12	5	10	14	8	3



TGT

TGT/6-1000-3/26 BLP 3KW (230/400V50HZ) IE3 V5



ErP Data

Maximum efficiency [%]	61,7
Installation type	D
Category efficiency	Total
N	N65,2
Variable speed drive	+
Year of manufacture	Product Rating Plate
Manufacturer's Info	S&P
Product code	G76103030U13
Input power at optimum efficiency point (kW)	2,803
Airflow at optimum efficiency point [m3/h]	29.704
Pressure at optimum efficiency point [Pa]	210
Speed at optimum efficiency point	980
Specific Ratio	1
Recycling/disposal	Instruction Manual
Maintenance	Instruction Manual
Additional components	Catalogue and according to ISO 5801

Warnings

The absorbed current may vary slightly depending on the motor installed

The long casing configuration may vary from the one observed in the illustration above, however all dimensions and weight values remain the same.

Related documentation



Certifications & Declarations of Performance

Soler&Palau Sistemas de Ventilación SLU certifies that this model is licensed to bear the AMCA Seal for Air Performance. The ratings shown are based on test and procedures performed in accordance with AMCA Publication 211 and comply with the requirement of the AMCA Certified Ratings Program.

Performance certified is for installation type D; ducted inlet, ducted outlet, without the effect of appurtenances. The AMCA Certified Ratings Seal applies to air performance ratings only. Power rating excludes transmission losses.