

ROOF MOUNTED FANS

TH ATEX Series

NEW



Range of roof mounted mixed flow fans, specially designed for the extraction of potentially hazardous and explosive gases, manufactured from sheet steel protected with black polyester paint coating (except TH-800/200 manufactured from plastic to prevent retention of static electricity, base and cap manufactured from sheet steel protected with black polyester paint coating). Bird-proof guard. Detachable fan unit without demounting duct connections.

Motors

- Single phase 230V-50Hz
- IP44, Class B.
- Increased safety Ex II2G EExelIT3 Gb
For models 250 and 315:
EC nr. LOM 11ATEX2021 X, Supplement 1.
- Increased safety Ex II2G EExelIT3
For model 800: EC nr. LOM 08ATEX2052 X, Supplement 2.

IP55, external terminal box



External terminal box, easy access, IP55, fireproof plastic V0

ATEX capacitor



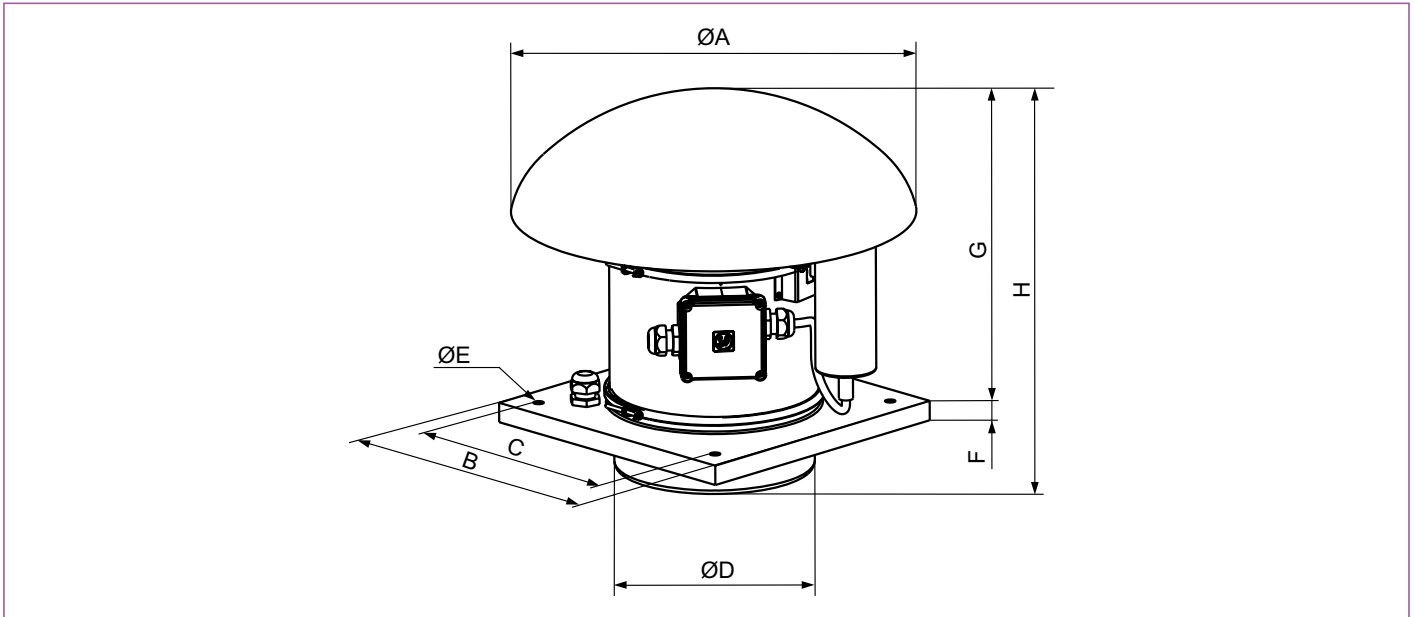
Technical characteristics

Model	Speed (r.p.m.)	Maximum absorbed power (W)	Maximum absorbed current (A)	Maximum air volume (m ³ /h)	Working temperature (°C)	Sound pressure level* (dB(A))		Weight (Kg)
						Inlet	Outlet	
TH-800/200 EX	2450	120	0,50	800	-20/+40	58	59	8
TH-1100/250 EX	2630	197	0,85	965	-20/+40	55	63	22
TH-1200/315 EX	2600	170	0,74	1150	-20/+40	52	56	28

Sound pressure level, measured at 3 m in free field conditions, at point "A" of the performance curve.



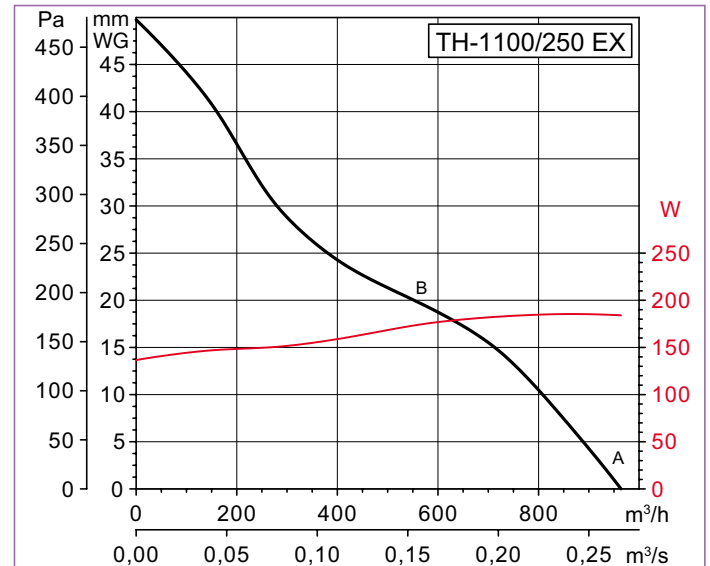
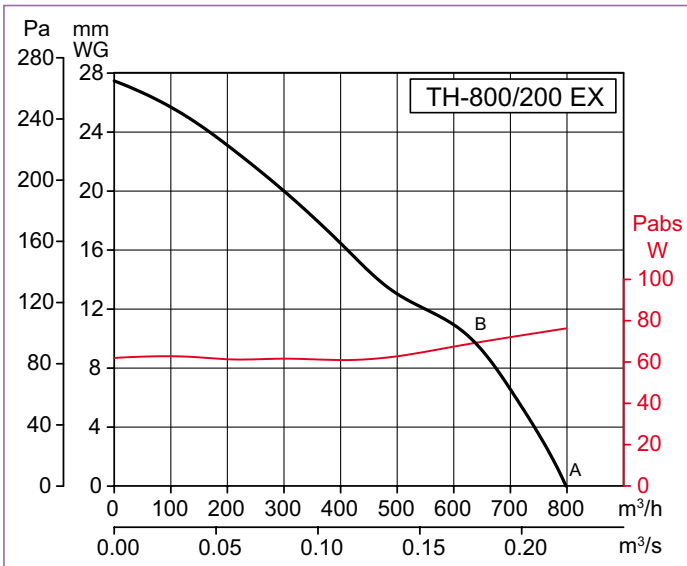
■ Dimensions (mm)



Model	A	B	C	D	E	F	G	H
TH-800/200 EX	400	300	245	197,5	10,5	20	312	377
TH-1100/250 EX	546	435	330	248	12	20	372	457
TH-1200/315 EX	735	560	450	312	12	20	450	544

■ Performance curves

- Q = Air volume in, m³/hr and m³/s.
- Ps = Static pressure in mmWG and Pa.
- Dry air at 20°C and 760 mmHg.
- Performance data in accordance with ISO 5801 and AMCA 210-99 Standards.
- LwA: Sound power levels measured at inlet and outlet in dB(A).



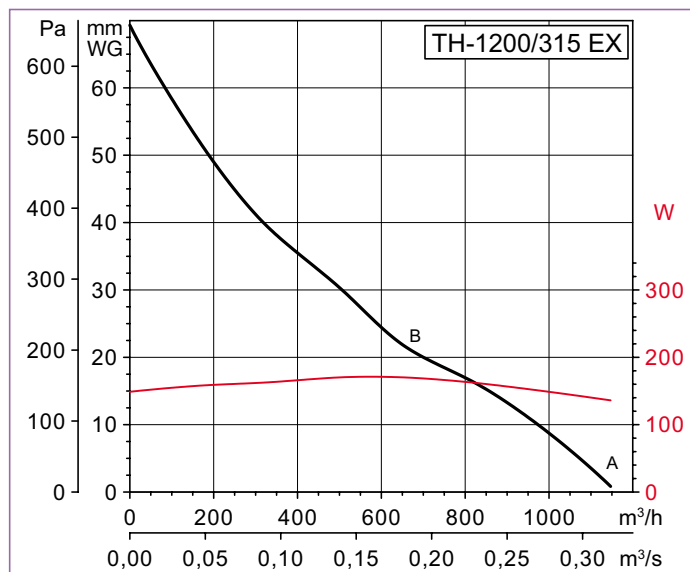
TH-800/200 EX		63	125	250	500	1.000	2.000	4.000	8.000	LwA
INLET	A	19	44	64	73	75	70	65	57	78
	B	25	53	67	75	76	71	64	55	80
OUTLET	A	42	51	64	76	75	72	66	57	80
	B	39	56	69	80	78	72	64	55	83

TH-1100/250 EX		63	125	250	500	1.000	2.000	4.000	8.000	LwA
INLET	A	40	51	64	68	69	72	63	57	75
	B	39	53	68	69	67	68	62	54	74
OUTLET	A	54	55	68	78	80	78	67	58	84
	B	39	53	69	75	76	74	66	57	80



Performance curves

- Q = Air volume in, m³/hr and m³/s.
- Ps = Static pressure in mmWG and Pa.
- Dry air at 20°C and 760 mmHg.
- Performance data in accordance with ISO 5801 and AMCA 210-99 Standards.
- LwA: Sound power levels measured at inlet and outlet in dB(A).

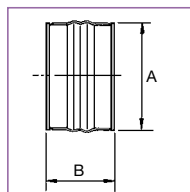


TH-1200/315 EX	63	125	250	500	1.000	2.000	4.000	8.000	LwA	
INLET	A	29	45	61	62	68	68	62	56	72
	B	39	49	70	66	68	69	62	56	75
OUTLET	A	42	52	66	70	74	66	64	56	77
	B	38	44	74	72	72	72	65	56	79

Specific accessory



ACOPEL EX
Explosion proof flexible connection



Model	Model connection	ØA	B
TH-800/200 EX	ACOPEL EX-200/160	200	160
TH-1100/250 EX	ACOPEL EX-250/160	250	160
TH-1200/315 EX	ACOPEL EX-315/160	315	160

For more information see **MOUNTING ACCESSORIES**.

