



# TTT-N

5115411700 - TTT/4-1000/H N 11KW (400V50HZ) VE - CYLINDRICAL CASED AXIAL FLOW FANS



Cased axial fan for the continuous extraction of the air stream up to 120°C. Inspection door in the casing. Impeller dynamically balanced and painted with epoxy-polyester. Belt driven, three phase, IP55, F motor. Brand S&P model TTT/4-1000/H N 11KW (400V50HZ) VE for an airflow 60.184 m<sup>3</sup>/h and static pressure 7,28 N/m<sup>2</sup>.

## Theoretical Working Point

Airflow	60.326 m <sup>3</sup> /h
Static Pressure	7,32 N/m <sup>2</sup>
Temperature	20 °C
Altitude	0 m
Density	1,2 kg/m <sup>3</sup>
Frequency	50 Hz

## Working Point

Airflow	60.184 m <sup>3</sup> /h
Static Pressure	7,28 N/m <sup>2</sup>
Dynamic pressure	273 N/m <sup>2</sup>
Total Pressure	280 N/m <sup>2</sup>
Efficiency	53
Input power	9,63 kW
Tot efficiency	53,1 %
Shaft power	8,81 kW
Outlet speed	21,3 m/s
Fan speed	1448 rpm
Specific Fan Power	0,58 W/l/s

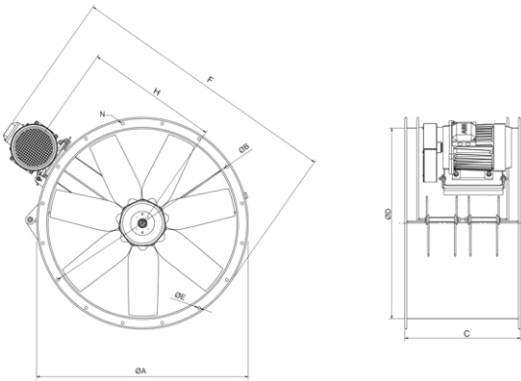
## Construction

Discharge diameter	1000 mm
Fan size	1000
Blades	7
Weight	201,60 kg

## Motor Characteristics

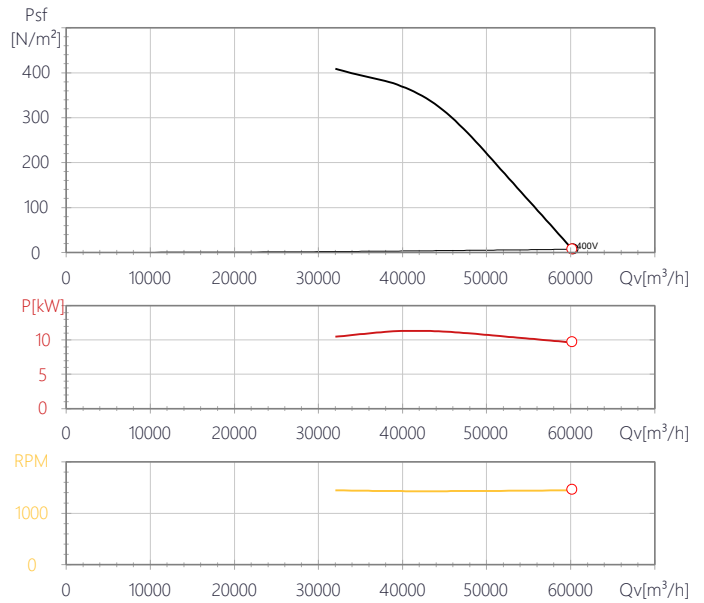
Number of poles	4
Motor Power	11 kW
Voltage	3-400/690V-50Hz
Maximum absorbed current	21,7 A / 12,6 A
IP Rating	IP55
Motor insulation class	F

## Drawing



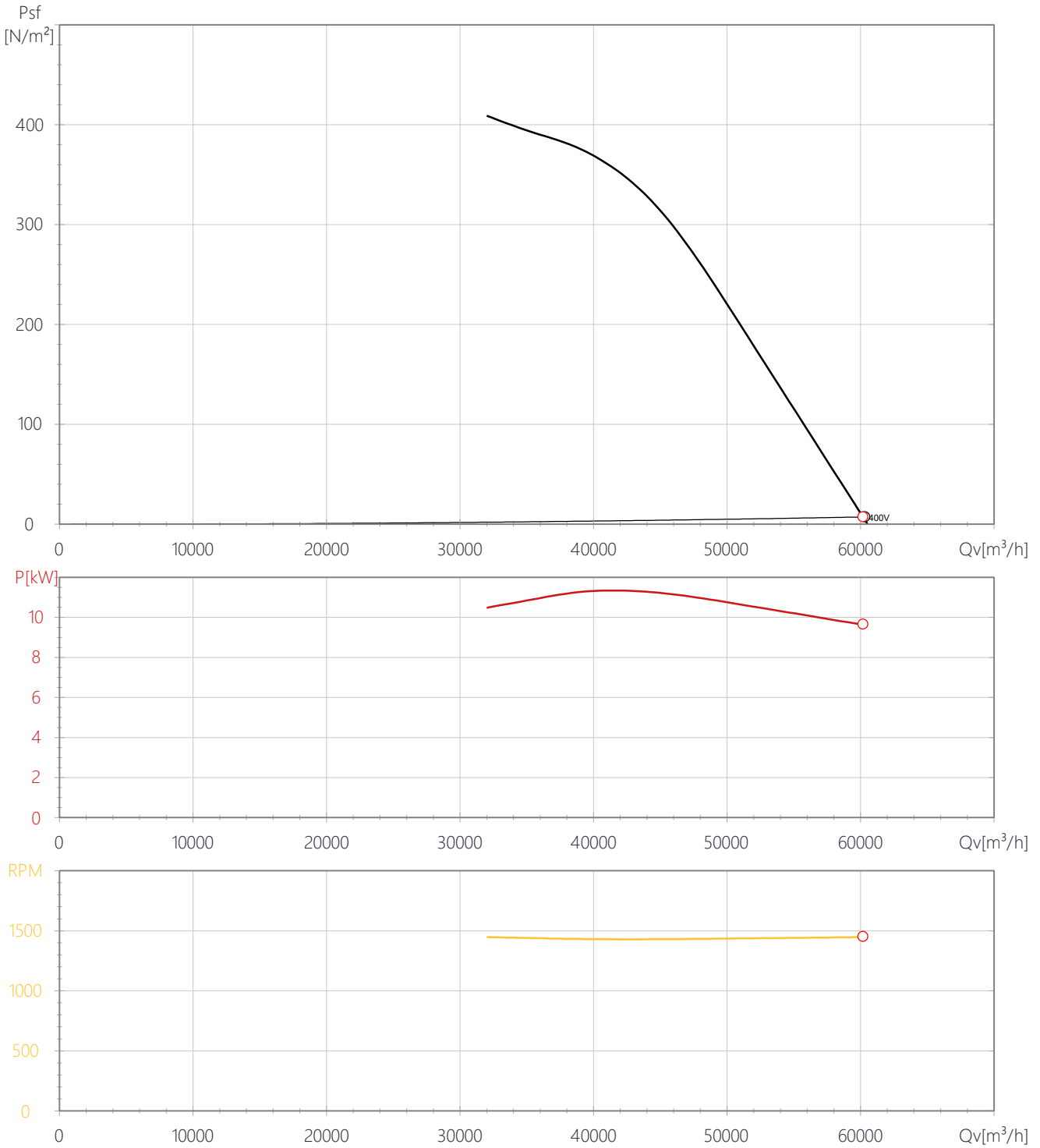
A	B	C	D	E	F	H	N
1105	1070	722	1000	15	1505	723	16

## Performance Chart





Performance Chart

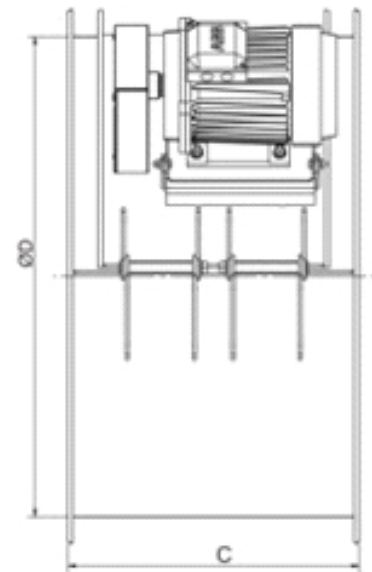
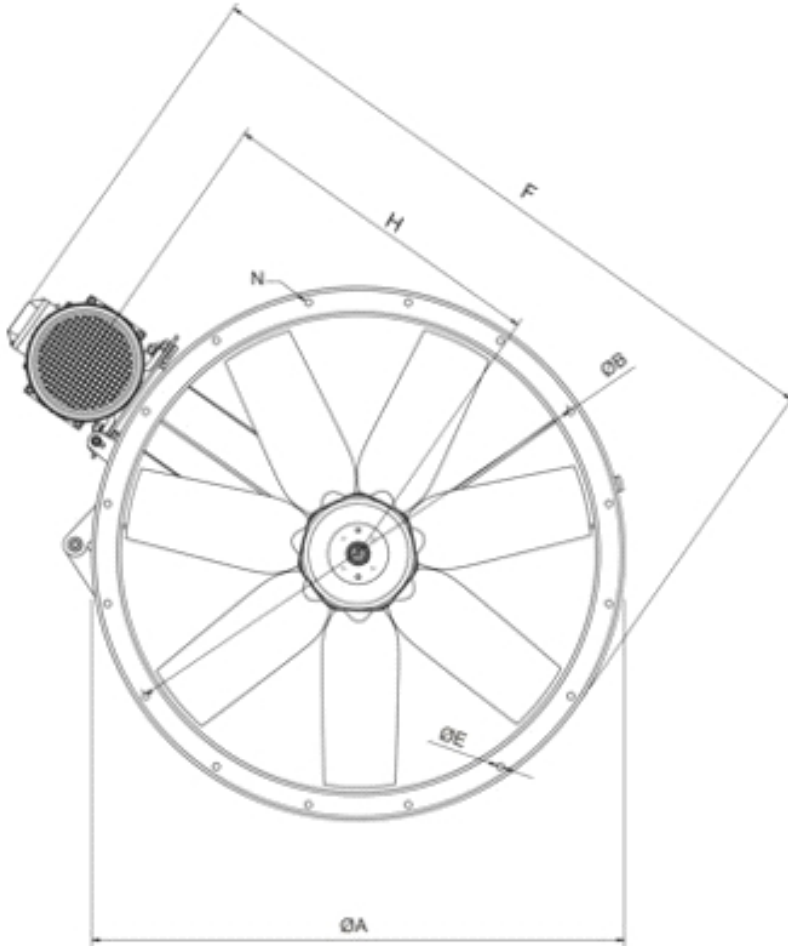




# TTT-N

5115411700 - TTT/4-1000/H N 11KW (400V50HZ) VE - CYLINDRICAL CASED AXIAL FLOW FANS

## Drawing



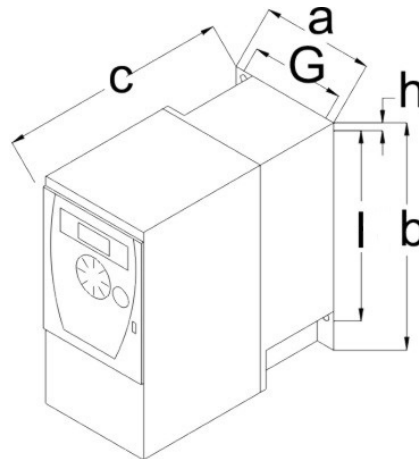
A	B	C	D	E	F	H	N
1105	1070	722	1000	15	1505	723	16

## Accessories

5401226900 - VFTM320 TRI 11



Adjustable frequency drive. Three phase supply 400V-50/60Hz, three phase 400V output.



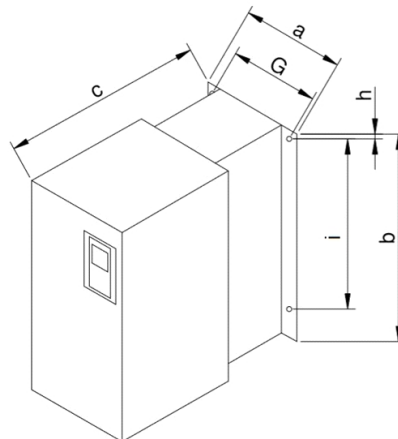
### Dimensions

a	b	c	G	l	h
180	404	232	160	295	7

5401228800 - VFTM650 TRI 11 IP55



Adjustable frequency drive. Three phase supply 400V-50/60Hz, three phase 400V output.



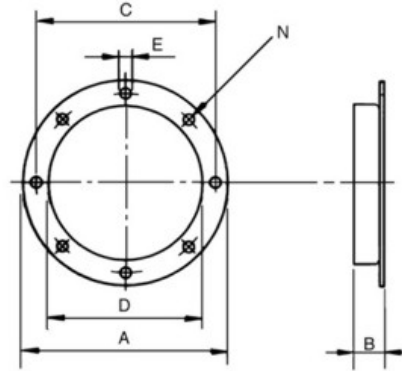
### Dimensions

a	b	c	G	i	h
264	678	299	205	661	8

5138906800 - ARO BRIDA THGT-1000 N



CIRCULAR DUCT MATCHING FLANGE

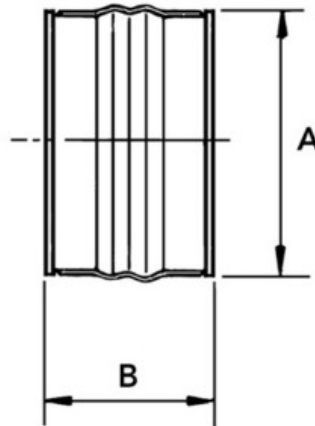


Dimensions

A	B	C	D	E	N
1105	60	1070	1000	15	16

5138921900 - ACOPEL F400-1000/180 N

FLEXIBLE CONNECTOR



Dimensions

A	B
1010	180

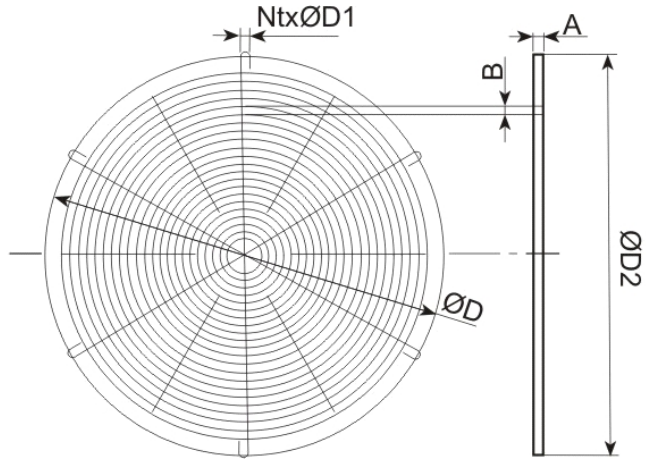
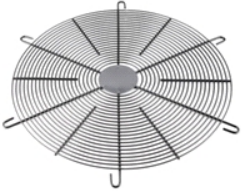


# TTT-N

5115411700 - TTT/4-1000/H N 11KW (400V50HZ) VE - CYLINDRICAL CASED AXIAL FLOW FANS

5138834600 - DEF.ASP.THGT-1000

WIRE PROTECTION GUARD - INLET -CASED MOUNTED AXIAL FANS



### Dimensions

D	D1	D2	Nt	A	B
1070	12	1010	8	5	10